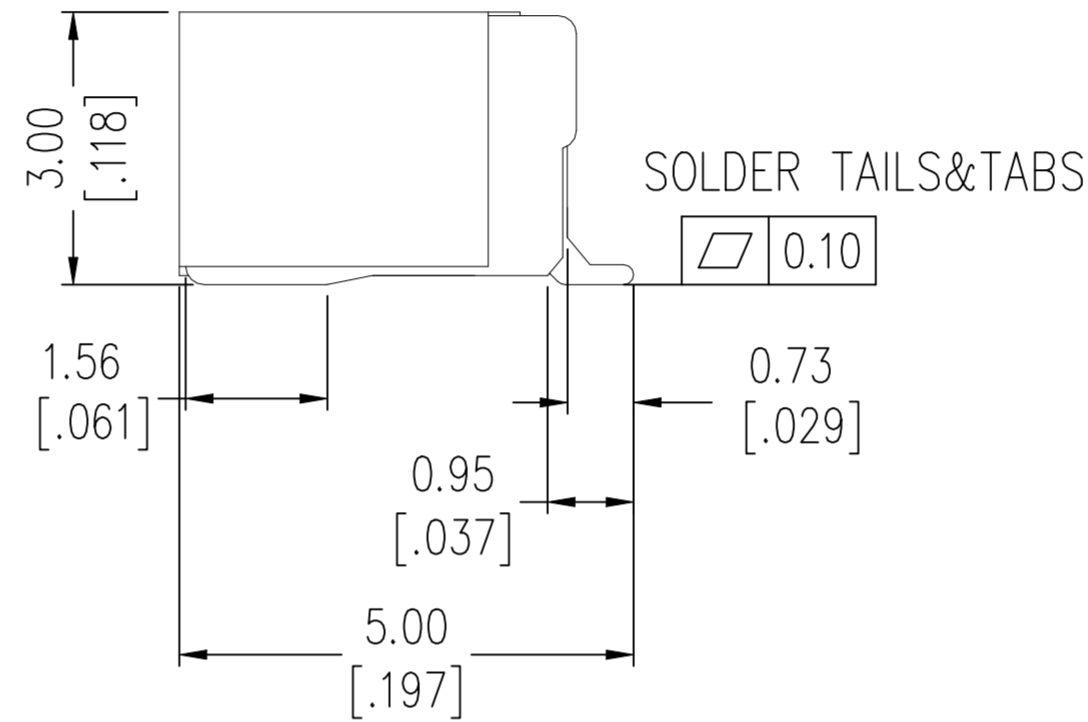
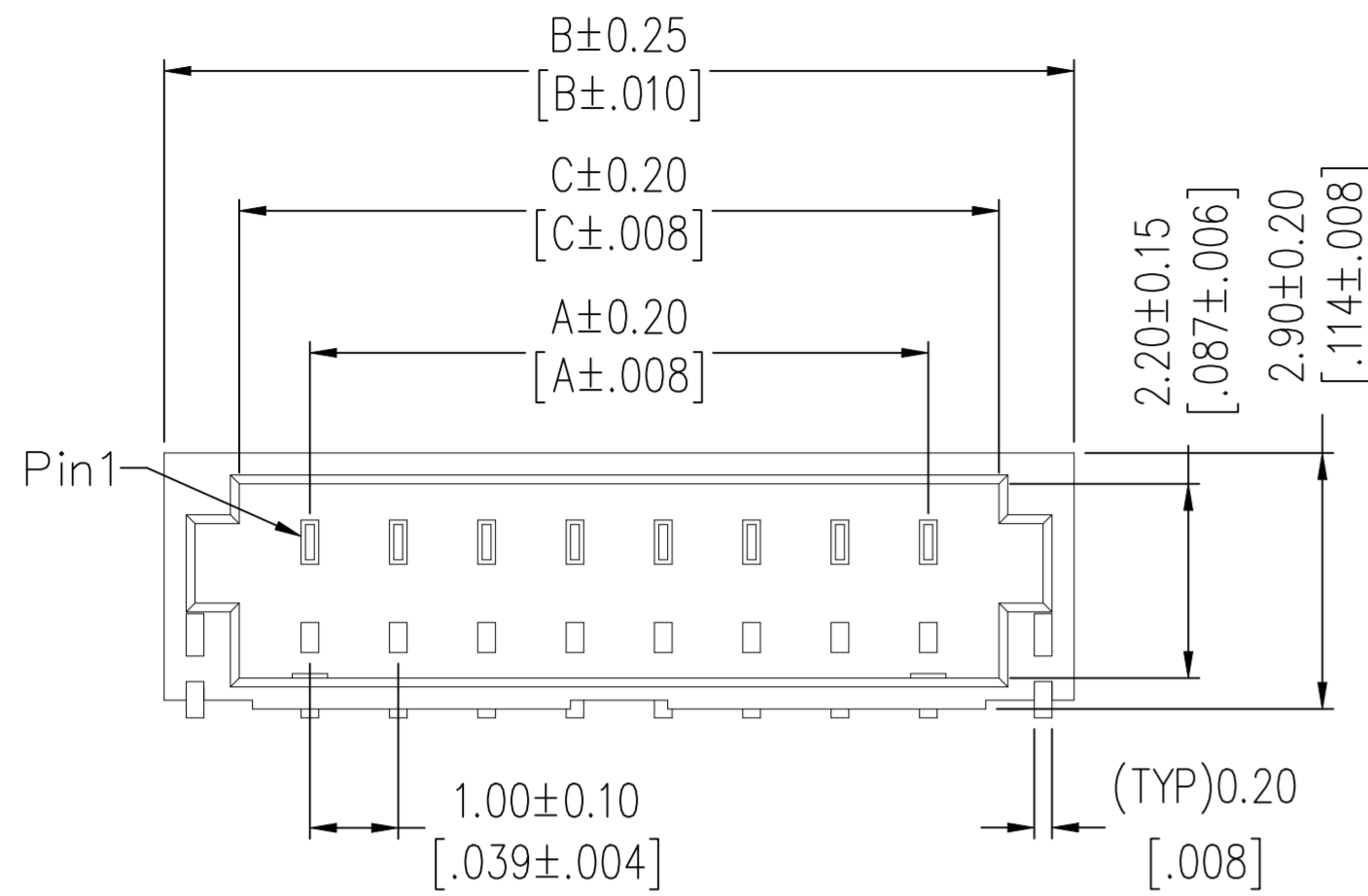


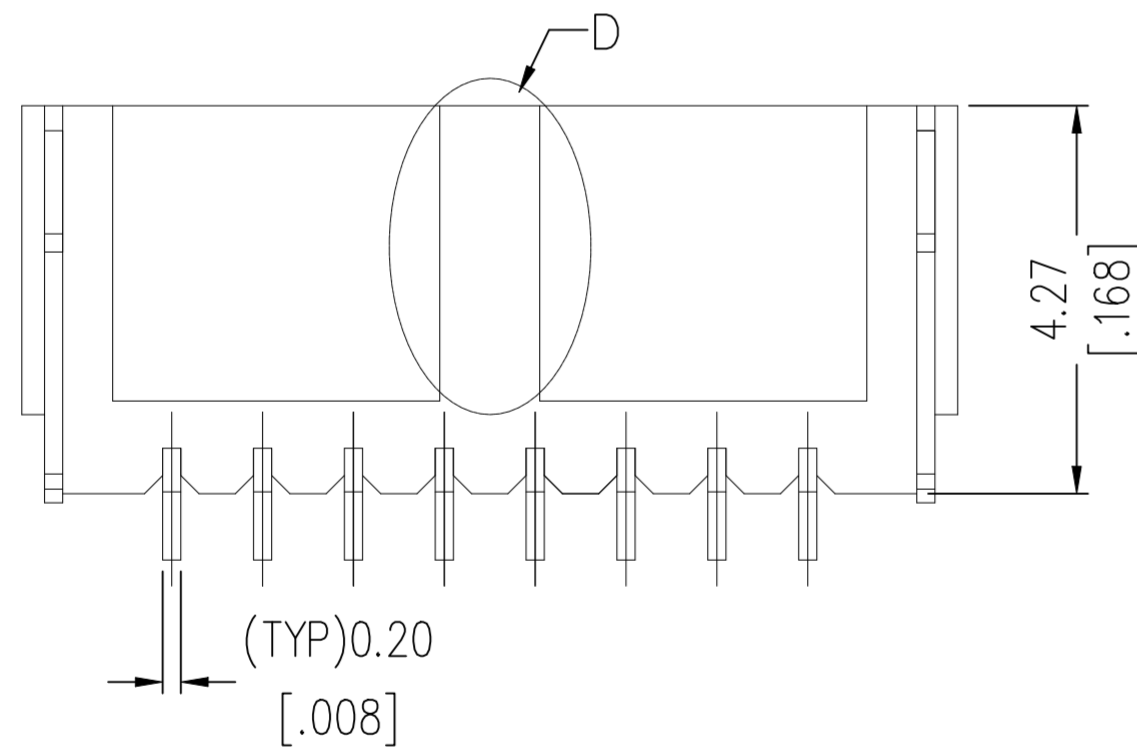
REVISIONS				
P	LTR	DESCRIPTION	DATE	APVD
A		INITIAL RELEASE	18DEC23	G.C H.L



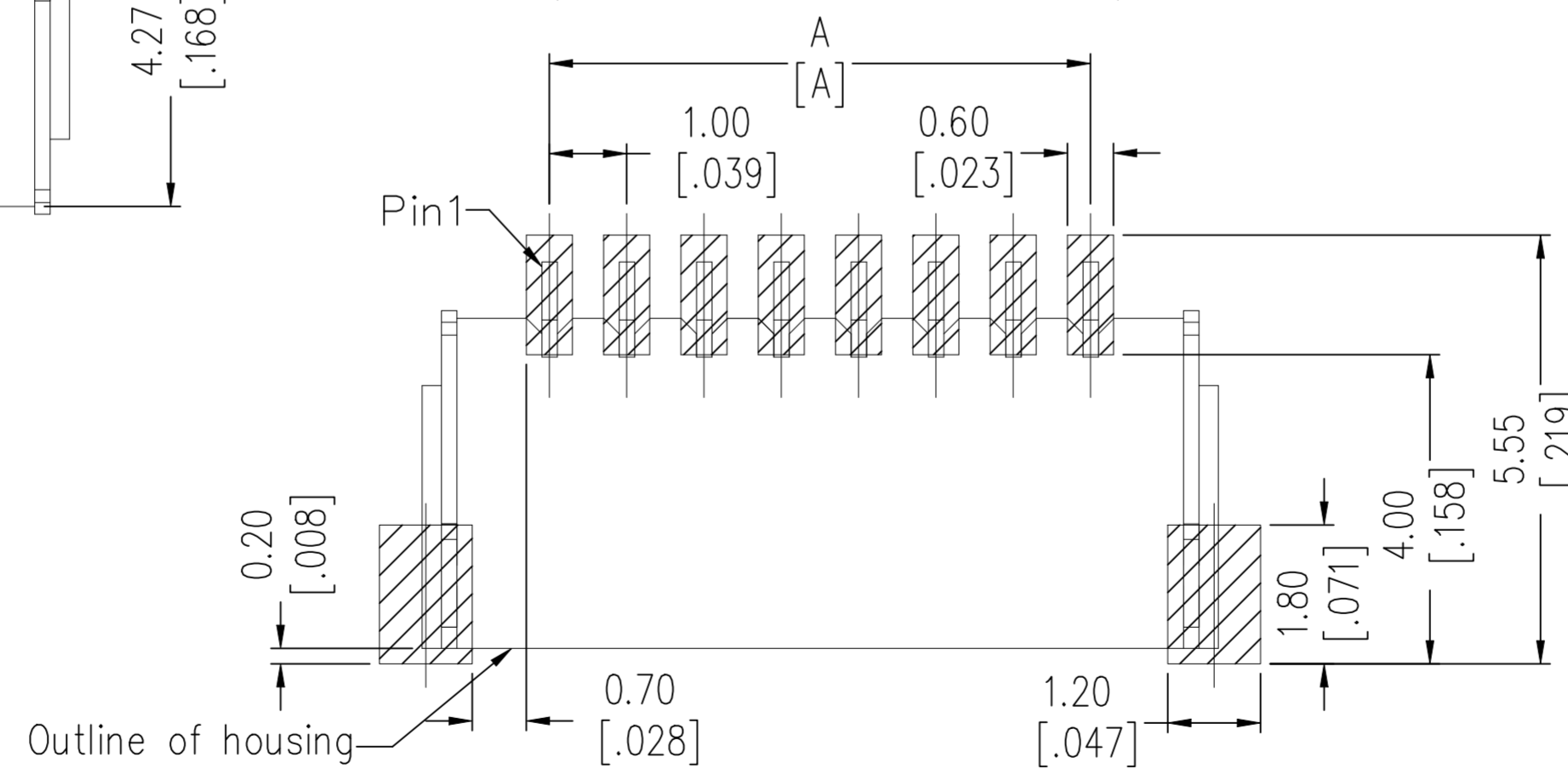
NOTES:  
 Rated Current: 1.0A AC/DC(28#AWG)  
 Rated Voltage: 50V AC/DC  
 Contact Resistance: 20mΩ Max.  
 Withstand Voltage: 500V AC/Minute  
 Insulation Resistance: 100MΩ Min.  
 Operation Temperature: -25°C to +85°C

Housing Material: Thermoplastic (UL94V-0)  
 CAP Material: Thermoplastic (UL94V-0)  
 Contact Material: Brass,  
 80u"MIN. Matte tin over 30u"MIN. Nickel  
 Solder Tabs: Brass,  
 80u"MIN. Matte tin over 30u"MIN. Nickel  
 02-05P Without Slot "D"

Recommended process:  
 IR soldering, Peak temperature: 260±5°C, 5s



Recommended P.C.B Layout (Top Side)  
 (PCB BOARD TOLERANCE ±0.05)

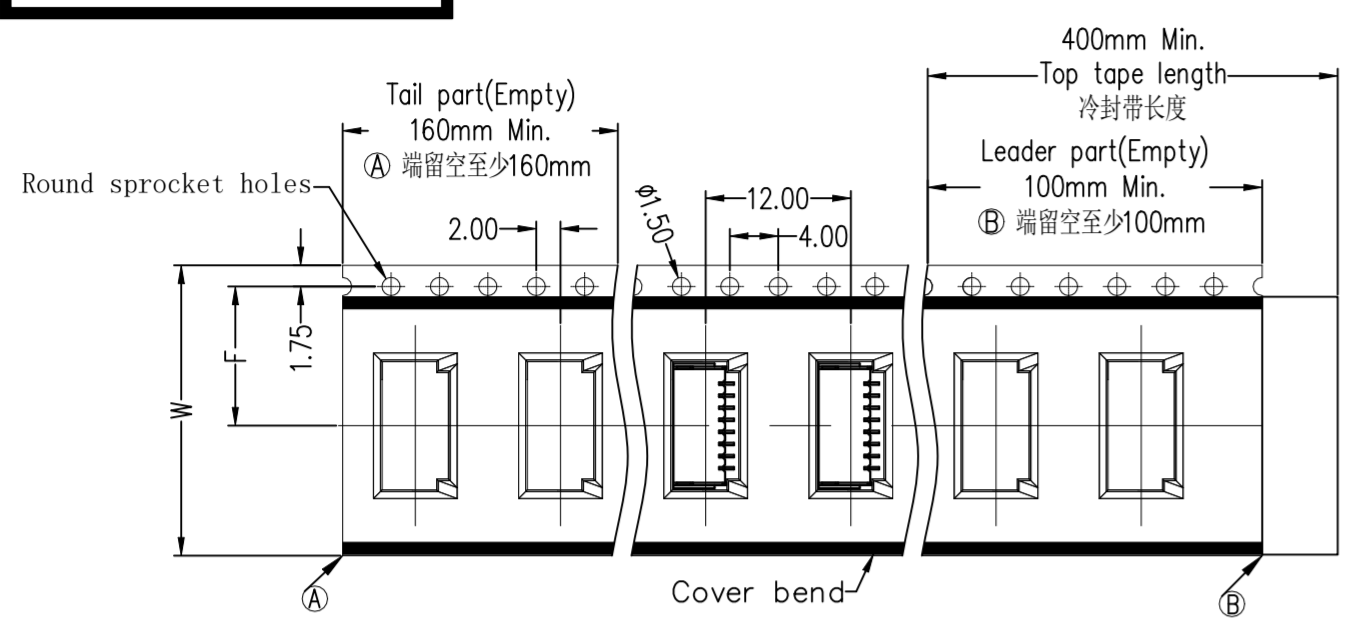


15	14.00	17.30	15.60	1-2473276-5
14	13.00	16.30	14.60	1-2473276-4
13	12.00	15.30	13.60	1-2473276-3
12	11.00	14.30	12.60	1-2473276-2
11	10.00	13.30	11.60	1-2473276-1
10	9.00	12.30	10.60	1-2473276-0
09	8.00	11.30	9.60	2473276-9
08	7.00	10.30	8.60	2473276-8
07	6.00	9.30	7.60	2473276-7
06	5.00	8.30	6.60	2473276-6
05	4.00	7.30	5.60	2473276-5
04	3.00	6.30	4.60	2473276-4
03	2.00	5.30	3.60	2473276-3
02	1.00	4.30	2.60	2473276-2
PINS	DIM A	DIM B	DIM C	PN

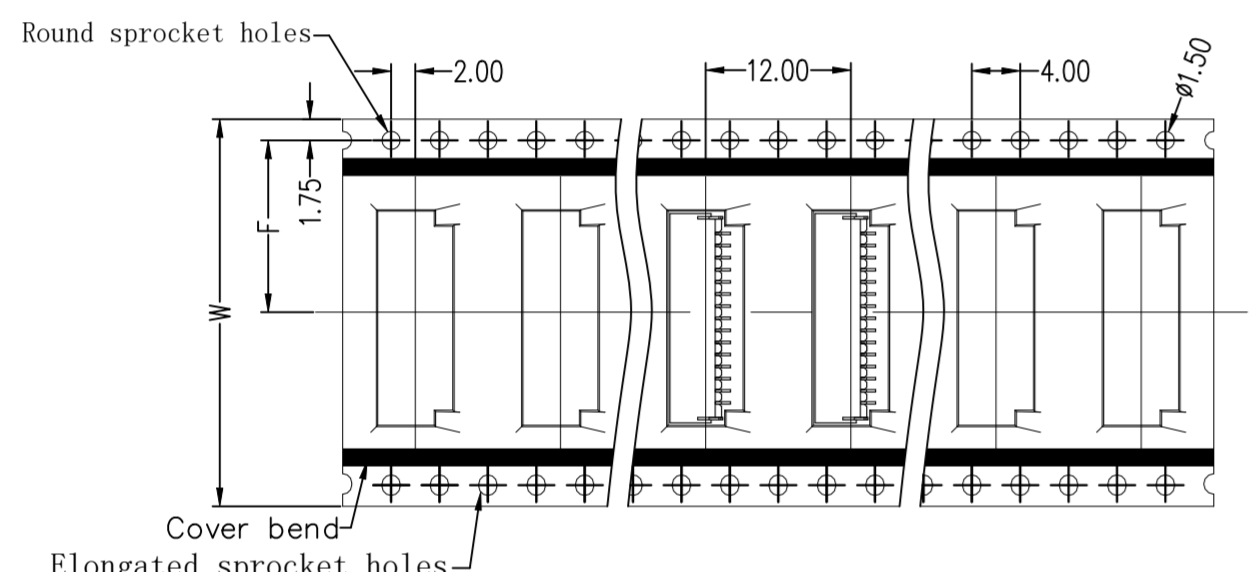
THIS DRAWING IS A CONTROLLED DOCUMENT.		DWN GOWTHAM	18DEC23	TE Connectivity Ltd.	
DIMENSIONS: mm		CHK CONNOR KANG	-		
TOLERANCES UNLESS OTHERWISE SPECIFIED:		APVD HOPE LU	18DEC23	NAME WIR TO BOARD CONNECTOR	
0 PLC ± -	1 PLC ± -	PRODUCT SPEC 108-161192		SIDE ENTRY, SINGLE ROW ,SMT TYPE	
2 PLC ± 0.25	3 PLC ± 0.15	APPLICATION SPEC 114-160811		SIZE A2	CAGE CODE 00779
4 PLC ± -	ANGLES ± -	WEIGHT 0		DRAWING NO C=2473276	RESTRICTED TO -
MATERIAL -		FINISH -	CUSTOMER DRAWING	SCALE 1:1	SHEET 1 of 3
				REV A	

REVISIONS					
P	LTR	DESCRIPTION	DATE	DWN	APVD
-	-	SEE SHEET 1	-	-	-

# HSF

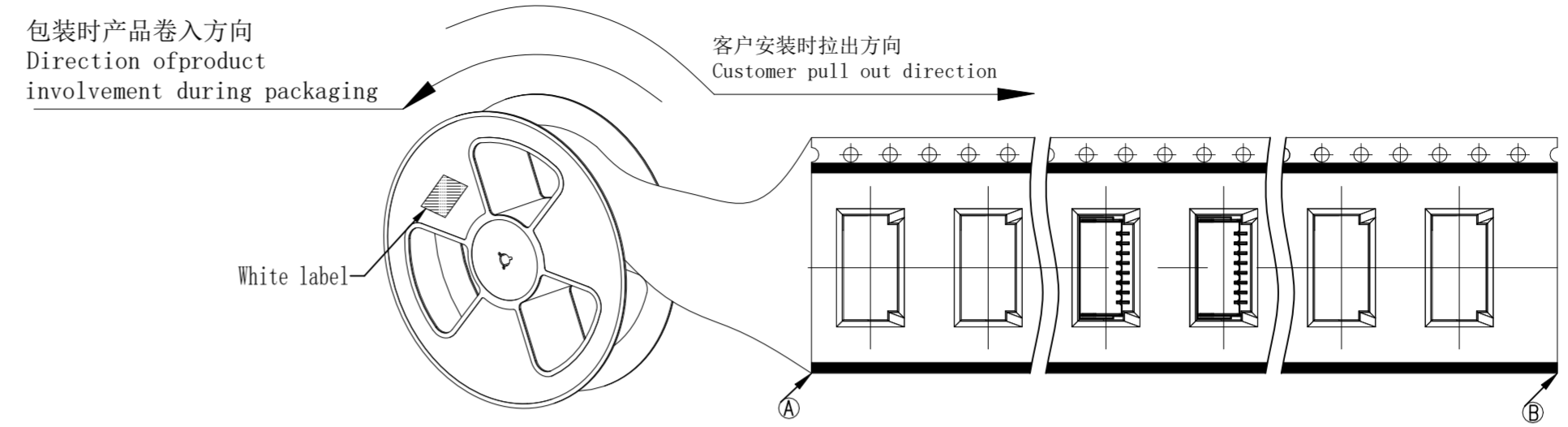


CARRIER FOR 2 TO 5 PIN & 7 TO 14 PIN

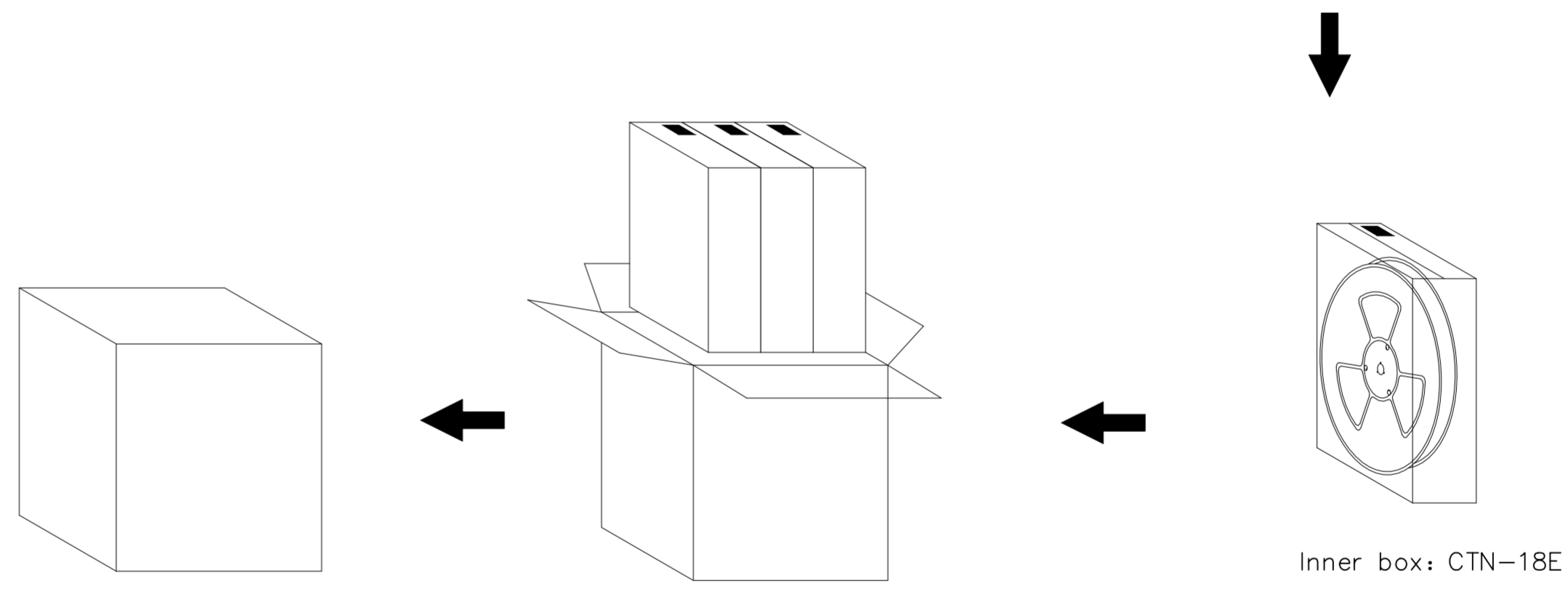


CARRIER FOR 15 PIN

TE P/N	PIN	W	F	PCS/Reel	PCS/Inner Box	PCS/Outer Box
2473276-2	2P	16.0±0.30	7.50±0.15	1500	6000	18000
2473276-3	3P					
2473276-4	4P					
2473276-5	5P					
2473276-7	7P	24.0±0.30	11.50±0.15	1500	4500	13500
2473276-8	8P					
2473276-9	9P					
1-2473276-0	10P					
1-2473276-1	11P					
1-2473276-2	12P	32.0±0.30	14.20±0.15	1500	3000	9000
1-2473276-3	13P					
1-2473276-4	14P					
1-2473276-5	15P					



**No.1:**  
 Before package, pay attention to leave more than 160mm(min) empty, after put the products into the carrier groove, packing with the cover bend then, Note: the tension between tape and cover bend is 10g~120g



Outer box: CTN-18KTE

Inner box: CTN-18E

**No.4:**  
 Seal, pack, label.

**No.3:**  
 Put inner box into outer box, (3pcs inner box/outer box) pay attention to the unified label direction.

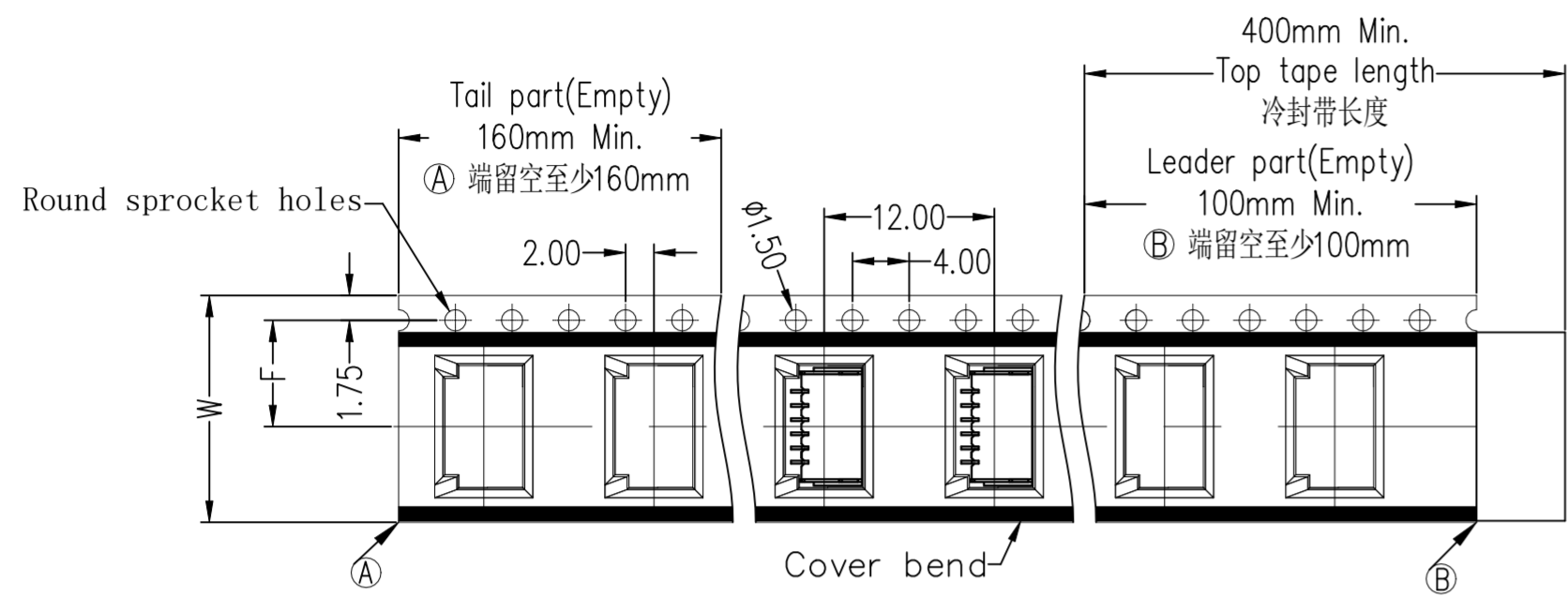
**No.2:**  
 Pack the reel in the PE-33 waterproof bag packing, put 1pcs drying agent, seal it with vacuum machine and put it into the inner box, seal it with sealing glue, with labels.

THIS DRAWING IS A CONTROLLED DOCUMENT.		DWN GOWTHAM 27OCT23	TE Connectivity Ltd.	
DIMENSIONS: mm		CHK CONNOR KANG		
TOLERANCES UNLESS OTHERWISE SPECIFIED:		APVD HOPE LU 18DEC23	NAME WIR TO BOARD CONNECTOR SIDE ENTRY, SINGLE ROW ,SMT TYPE	
0 PLC ± - 1 PLC ± - 2 PLC ± 0.25 3 PLC ± - 4 PLC ± - ANGLES ± -		APPLICATION SPEC	SIZE A2	RESTRICTED TO
MATERIAL		WEIGHT 0	CAGE CODE 00779	DRAWING NO C=2473276
FINISH		CUSTOMER DRAWING		SCALE 1:1
		SHEET 2 of 3		REV A

2473276

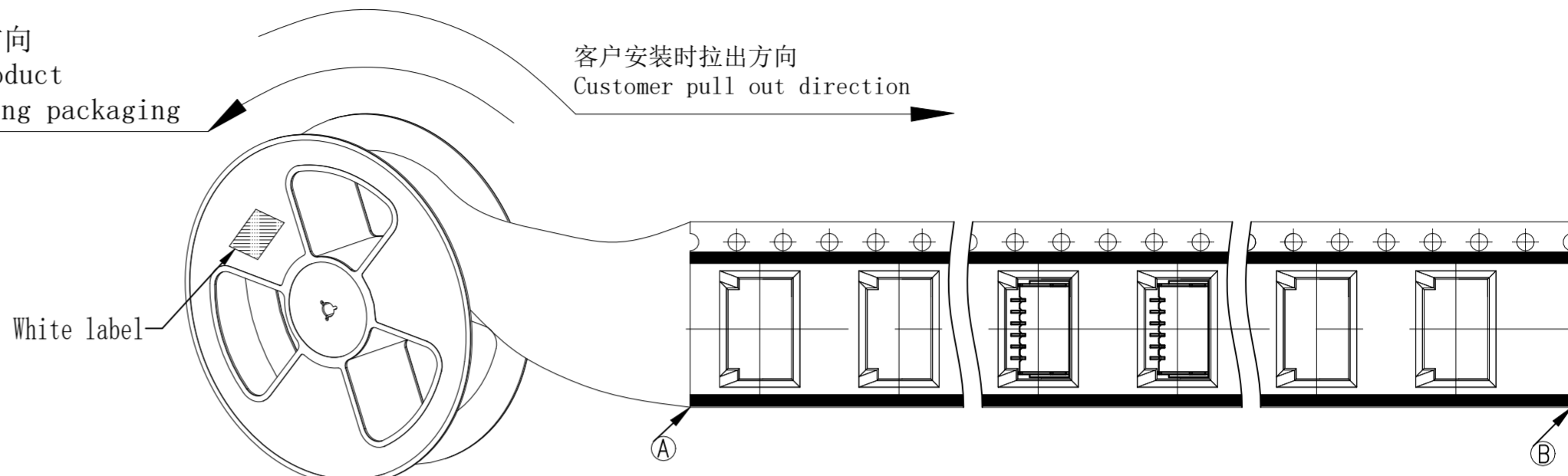
REVISIONS					
P	LTR	DESCRIPTION	DATE	DWN	APVD
-	-	SEE SHEET 1	-	-	-

# HSF



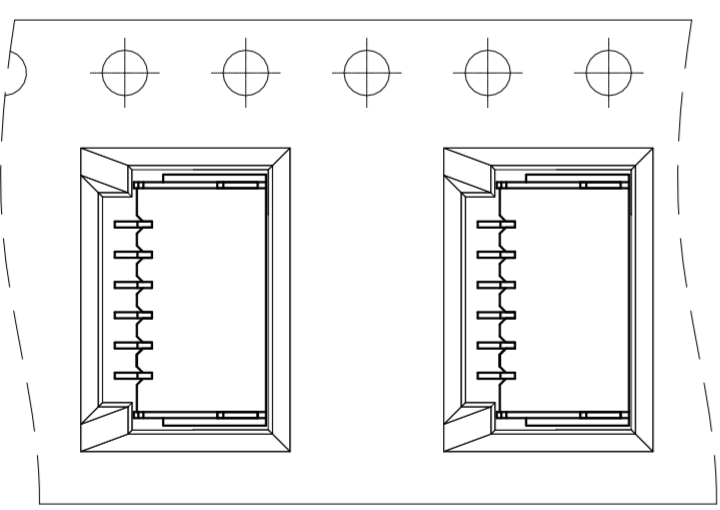
包装时产品卷入方向  
Direction of product involvement during packaging

客户安装时拉出方向  
Customer pull out direction

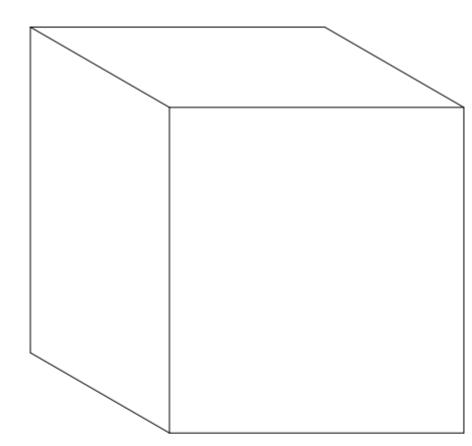


**No.1:**  
Before package, pay attention to leave more than 160mm(min) empty, after put the products into the carrier groove, packing with the cover bend then,  
Note: the tension between tape and cover bend is 10g~120g

Remark:  
Special product direction  
Only For 2473276-6 (6PIN)

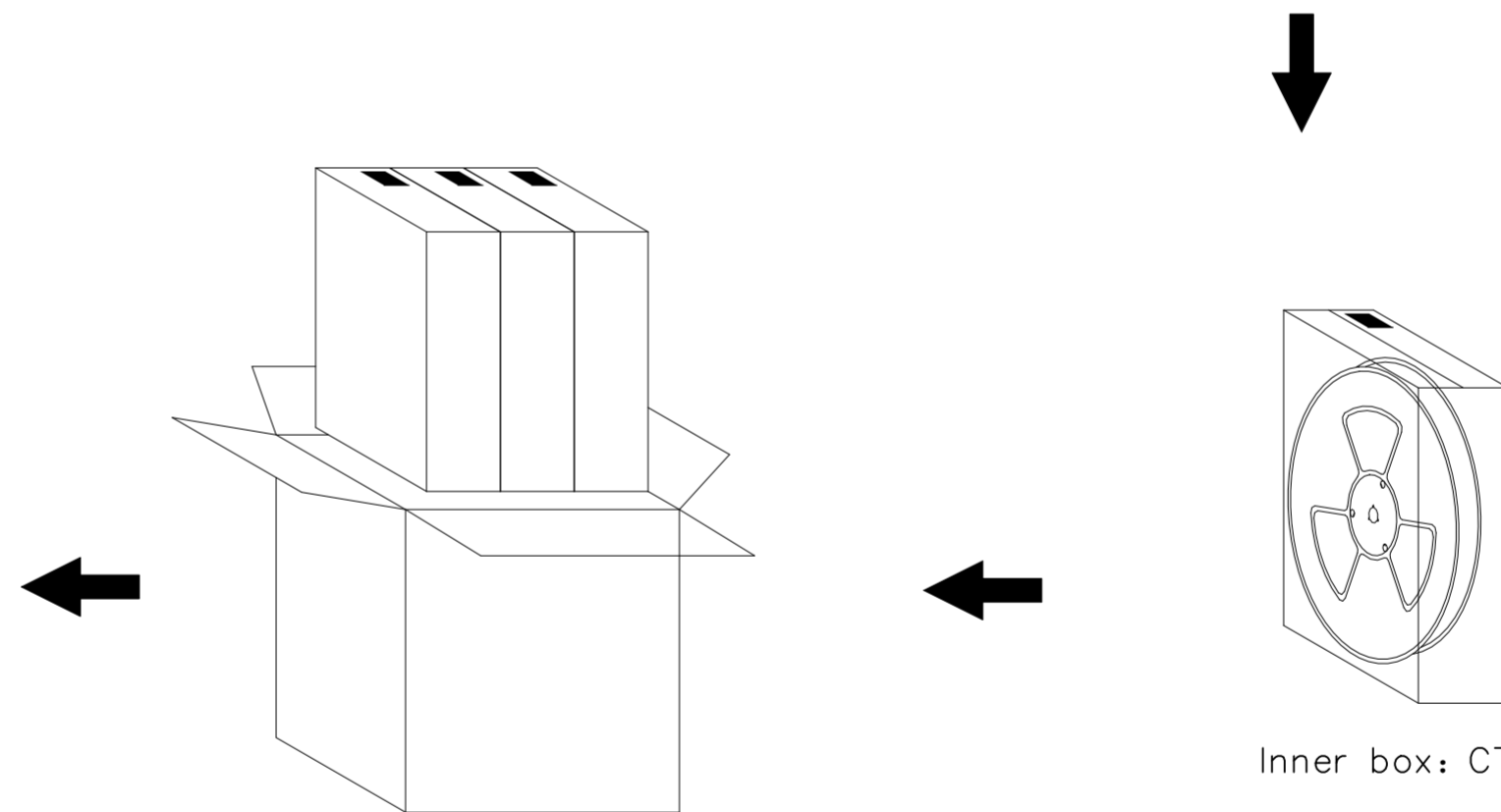


Detail  
Scale 2:1



Outer box: CTN-18KTE

**No.4:**  
Seal, pack, label.



Inner box: CTN-18E

**No.3:**  
Put inner box into outer box,  
(3pcs inner box/outer box)  
pay attention to the unified label direction.

**No.2:**  
Pack the reel in the PE-33 waterproof bag packing,  
put 1pcs drying agent,  
seal it with vacuum machine and put it into the inner box,  
seal it with sealing glue, with labels.

TE P/N	PIN	W	F	PCS/Reel	PCS/Inner Box	PCS/Outer Box
2473276-6	6P	16.0±0.30	7.50±0.15	1500	6000	18000

THIS DRAWING IS A CONTROLLED DOCUMENT.		DWN: GOWTHAM 18DEC23	TE Connectivity Ltd.	
DIMENSIONS: mm		CHK: CONNOR KANG		
TOLERANCES UNLESS OTHERWISE SPECIFIED:		APVD: HOPE LU 18DEC23	NAME: WIR TO BOARD CONNECTOR SIDE ENTRY, SINGLE ROW ,SMT TYPE	
0 PLC ± -		PRODUCT SPEC: -	SIZE: A2	
1 PLC ± -		APPLICATION SPEC: -	CAGE CODE: 00779	
2 PLC ± 0.25		WEIGHT: 0	DRAWING NO: C=2473276	
3 PLC ± -		CUSTOMER DRAWING	RESTRICTED TO: -	
4 PLC ± -		SCALE: 1:1	SHEET: 3 OF 3	
ANGLES ± -		SCALE: 1:1	REV: A	
FINISH: -				