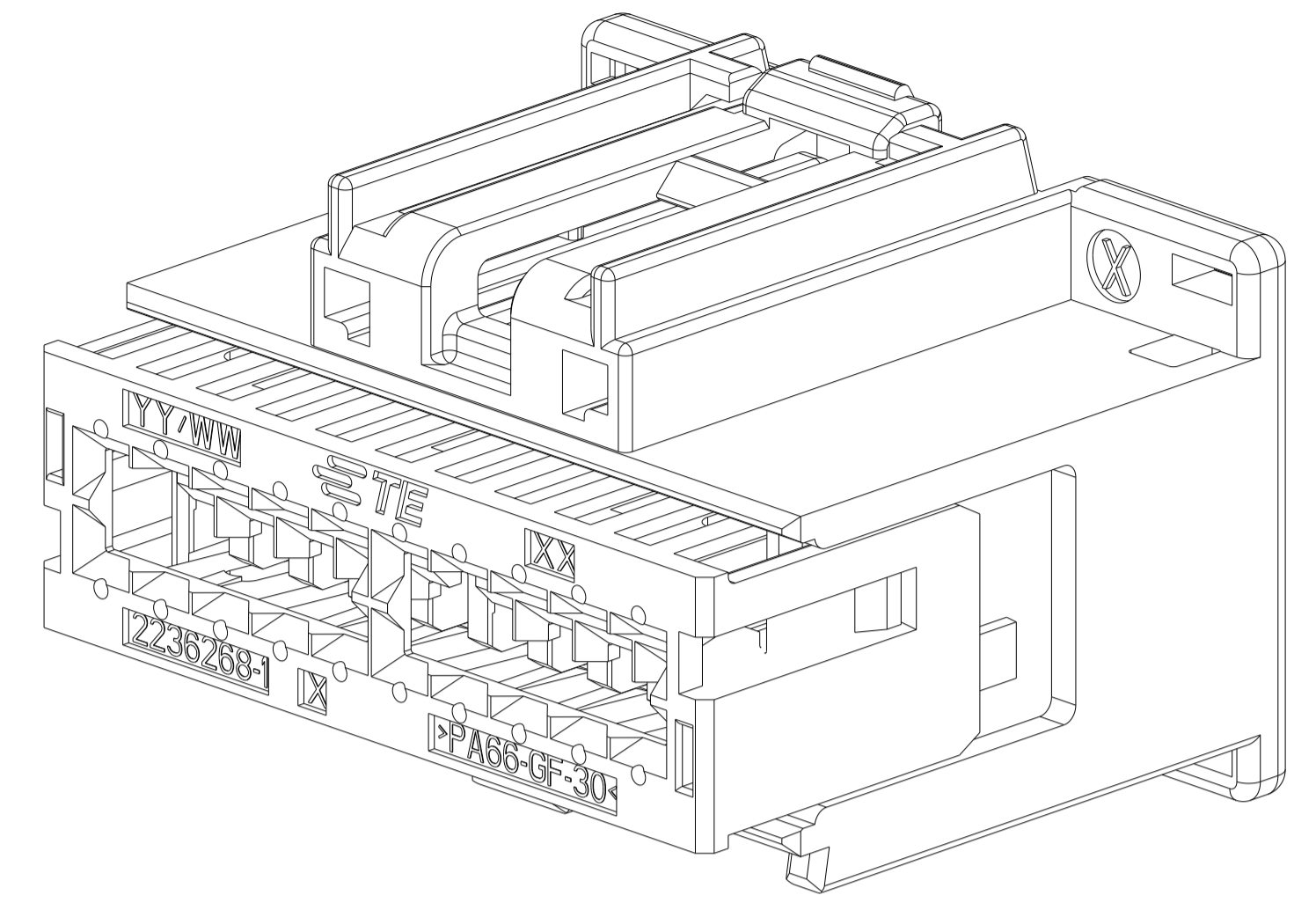
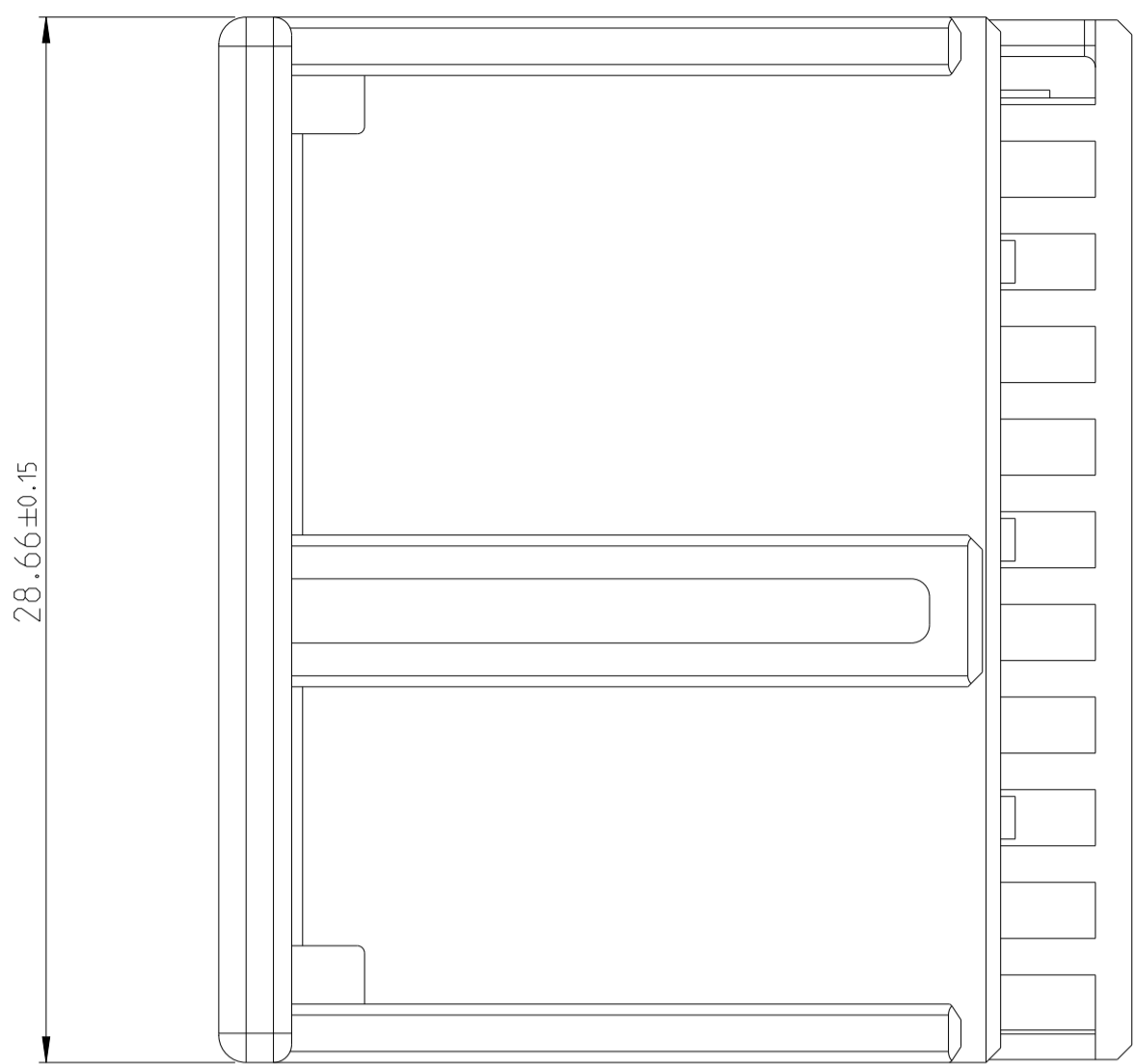
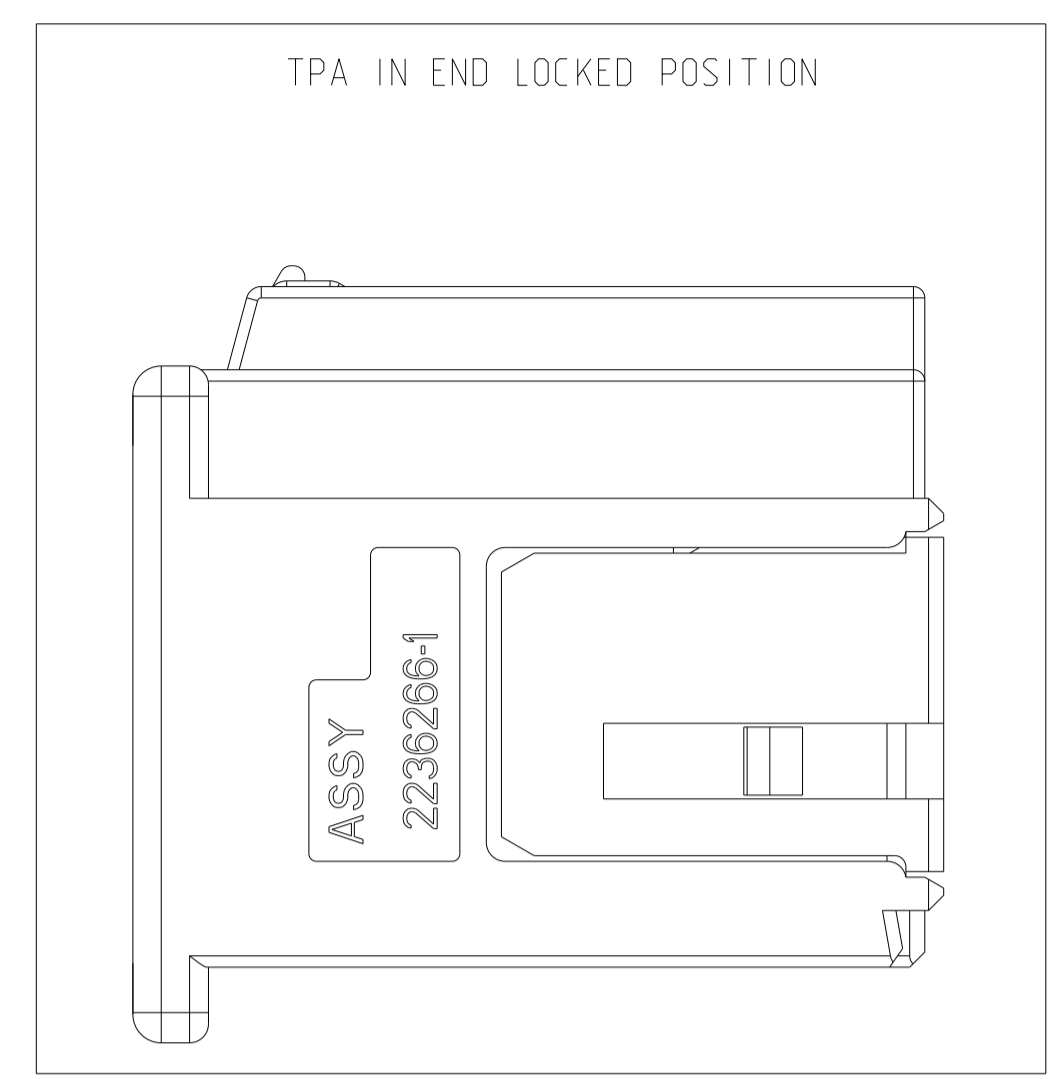
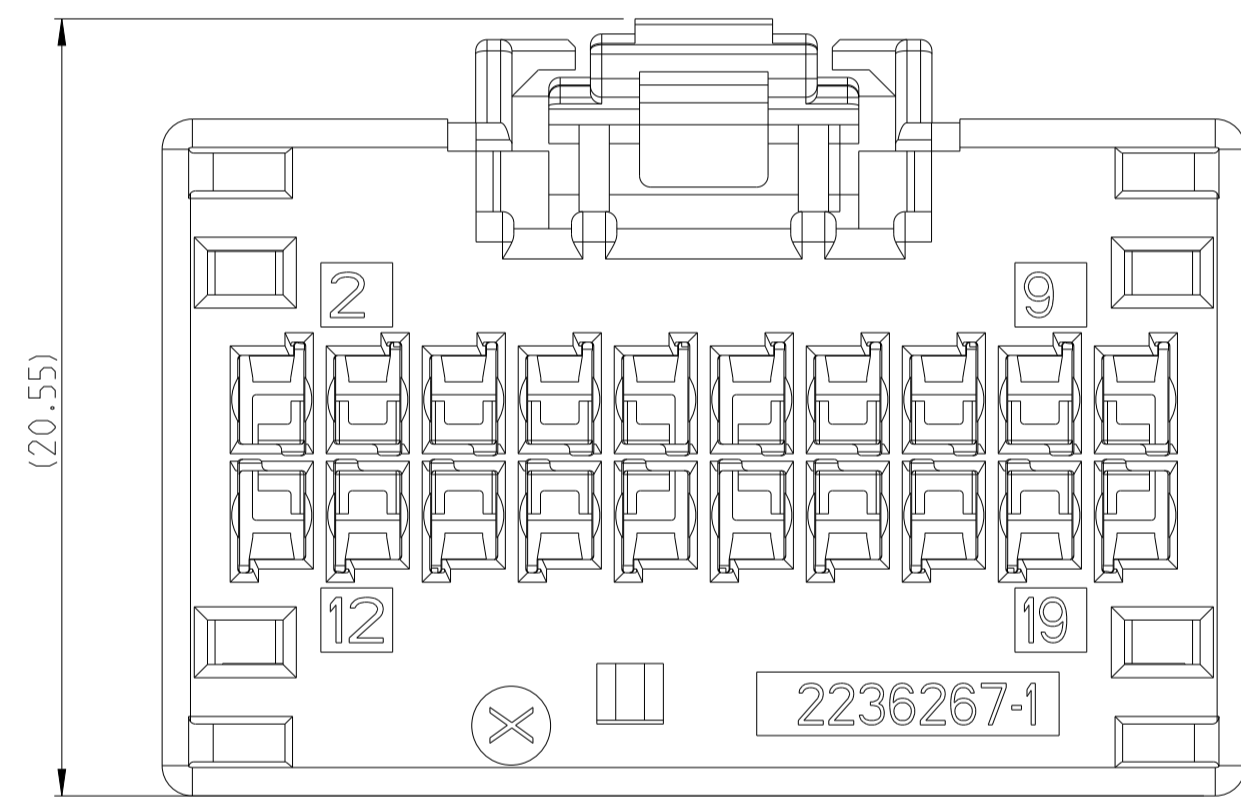
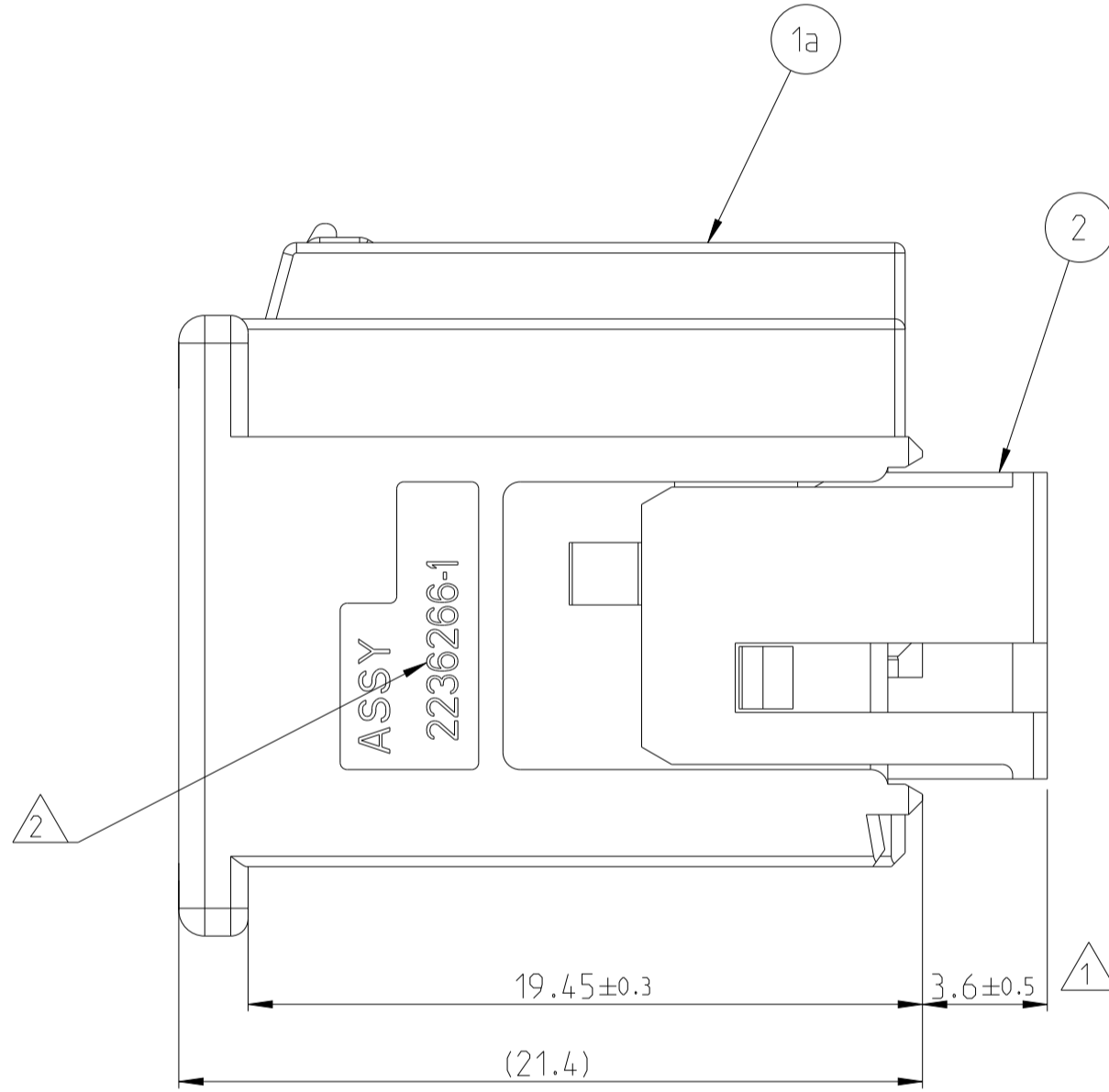
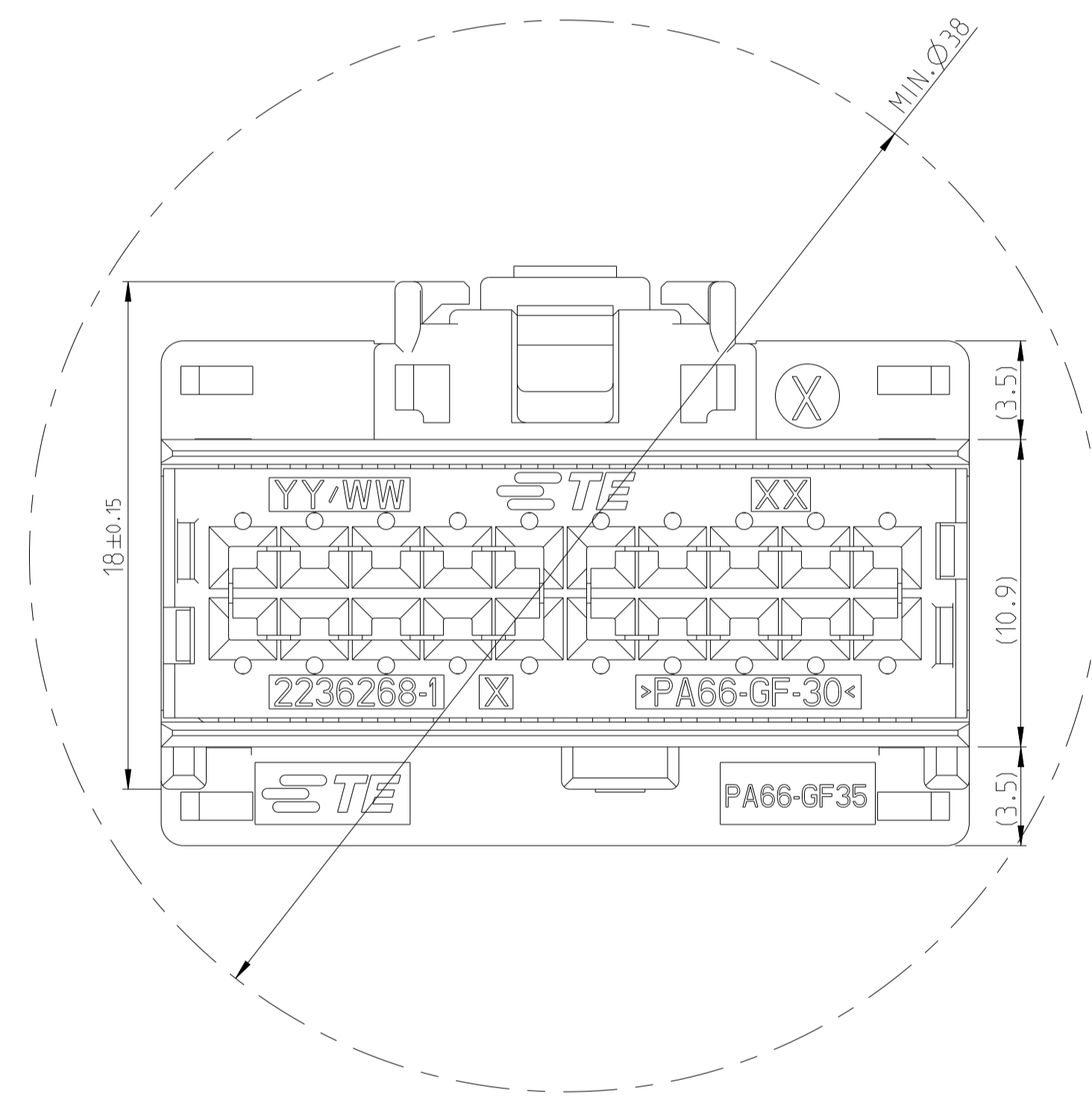


LOC	DIST	REVISIONS			
P	LTH	DESCRIPTION	DATE	DWN	APVD
A		INITIAL RELEASE	05NOV2013	CW	HR
B		ECR-14-017075	05NOV2013	CW	HR
C		E-23-163368	10JAN2023	SH	PT
D		ECR-25-256593	13JUN2025	GW	MS



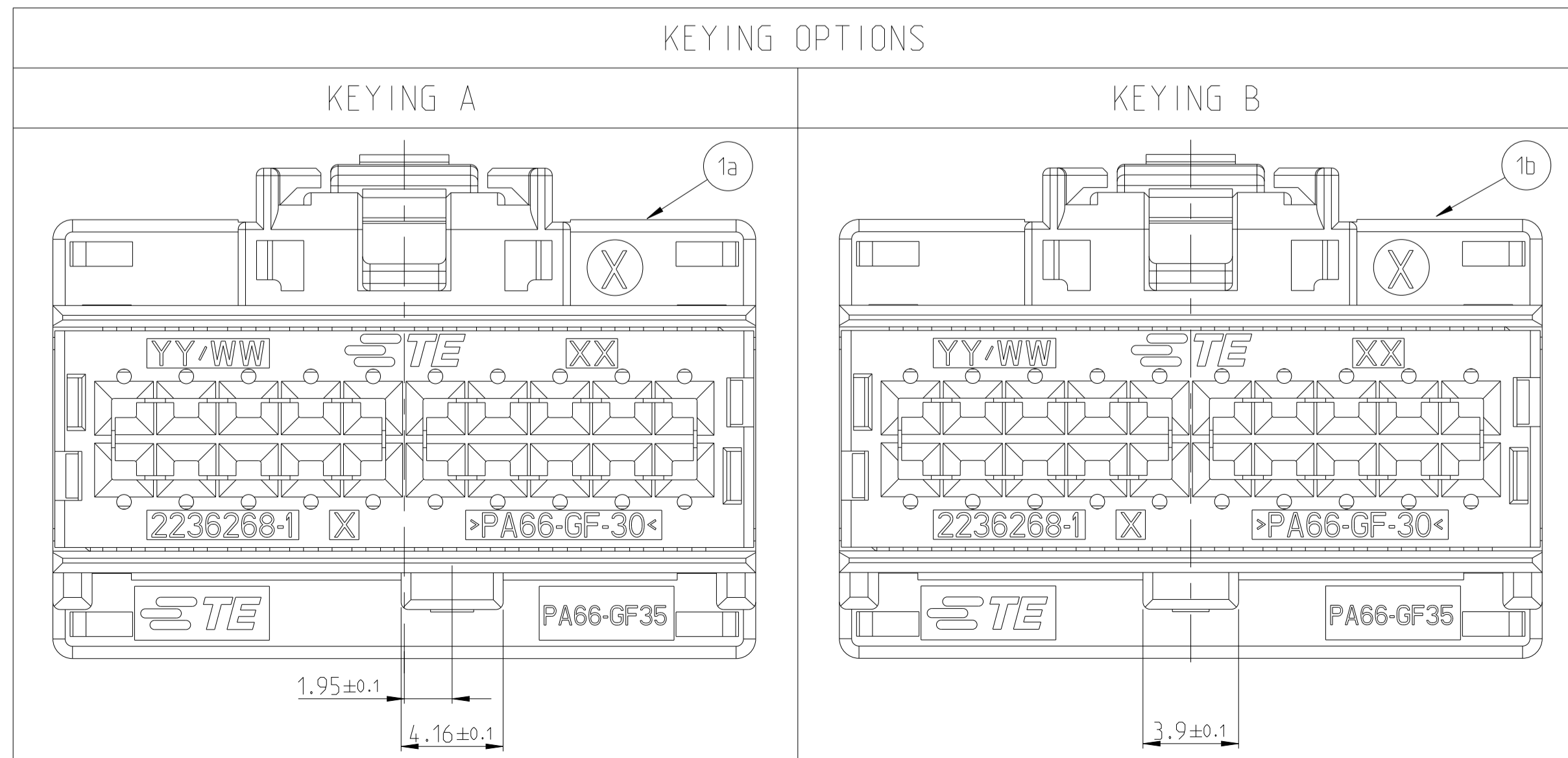
ISOMETRIC VIEW



NOTES:

- ⚠ TPA SHIPPED IN PRE-LATCHED POSITION.
- ⚠ ASSEMBLY PART NUMBER
- ⚠ CPA OPTIONAL (NOT REQUIRED IN THE THE MOMENT)
- ⑤ 5. INTERFACE: REFER TO EWCAP DRAWING 064-U-020-2-Z02 FOR KEYING OPTION VIEWS.

APPLICABLE TERMINALS		
0.64 GENERATION Y UNSEALED FEMALE TERMINAL (0.13mm ²)	TIN	0-2035334-5
0.64 GENERATION Y UNSEALED FEMALE TERMINAL (0.35mm ² -0.50mm ²)	TIN	0-2035334-1
0.64 GENERATION Y UNSEALED FEMALE TERMINAL (0.75mm ²)	TIN	0-2035334-2
DESCRIPTION	PLATING COLOUR	TE CONNECTIVITY COMP. PART NO:



QTY	DESCRIPTION	WEIGHT [g]	COLOUR	ITEM NO.								
1x	8-1419168-4 CPA (OPTIONAL)	0.31	RED	3								
1x	2236268-1 2x10POS TPA	0.95	RED	2								
1x	1-2236267-9 2x10POS RECEPTACLE HOUSING KEYING Z	6.4	GRAY	1i								
-	1-2236267-3 2x10POS RECEPTACLE HOUSING KEYING C	6.4	GRAY	1h								
-	1-2236267-2 2x10POS RECEPTACLE HOUSING KEYING B	6.4	GRAY	1g								
-	1-2236267-1 2x10POS RECEPTACLE HOUSING KEYING A	6.4	GRAY	1e								
-	2236267-9 2x10POS RECEPTACLE HOUSING KEYING Z	6.4	BLACK	1d								
-	2236267-3 2x10POS RECEPTACLE HOUSING KEYING C	6.4	BLACK	1c								
-	2236267-2 2x10POS RECEPTACLE HOUSING KEYING B	6.4	BLACK	1b								
-	2236267-1 2x10POS RECEPTACLE HOUSING KEYING A	6.4	BLACK	1a								
1-2236266-9	1-2236266-3	1-2236266-2	1-2236266-1	2236266-9	2236266-3	2236266-2	2236266-1	PART NO	DESCRIPTION	WEIGHT [g]	COLOUR	ITEM NO.
B	B	C	C	B	B	C	C		REVISION OF EACH ASSY NO			
7.66	7.66	7.66	7.66	7.66	7.66	7.66	7.66		WEIGHT OF EACH ASSY NO [g]			

THIS DRAWING IS A CONTROLLED DOCUMENT. DIMENSIONS: mm. TOLERANCES UNLESS OTHERWISE SPECIFIED: 0 PLC ±0.3, 1 PLC ±0.3, 2 PLC ±0.3, 3 PLC ±0.3, 4 PLC ±0.3, ANGLES ±1°. MATERIAL: SEE CALLOUT.

Customer Drawing

OWN: C. WEBER, H. RIPPER, E. MUMMER. DATE: 05NOV2013. NAME: PLUG ASSEMBLY, 2 X 10, UNSEALED, 0.64, GENERATION Y USCAR. SIZE: A1. CAGE CODE: 00779. DRAWING NO: 2236266. RESTRICTED TO: -.

SCALE: 5:1. SHEET: 1 OF 1. REV: D.