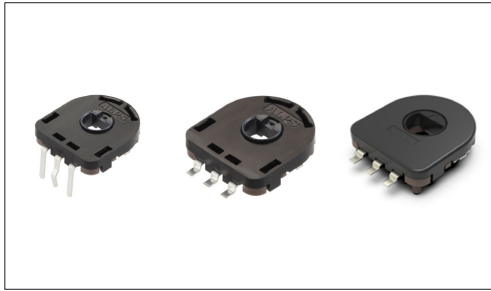


Rotary Type RDC50 Series

Compact, high-precision, and high-heat-resistant design, suitable for all position detection needs.

 Automotive



■ Type: Rotary

Applications: Energy_Industrial: Robots, drones, Industrial equipment
 Healthcare: Healthcare equipment, Nursing care equipment
 Analysis, test equipment: Analysis, test equipment
 Home: Major home appliances, Office equipment
 Audio_TV: Visual, Audio
 Automotive: Navigation/audio systems, HVAC

■ Product List

Products No.	Control part orientation	Mounting method	Linearity guarantee range	Linearity	Total resistance	Operating life (cycles)	Dimensions (mm)	Automotive	Drawing No.
RDC501051A	Vertical	Manual, DIP	320°	±2%	10kΩ	1,000,000	11.0×12.0×3.5	●	1
RDC501052A	Vertical	Manual, DIP	320°	±2%	10kΩ	1,000,000	11.0×12.0×3.5	●	2
RDC502012A	Horizontal	Manual, DIP	320°	±2%	10kΩ	1,000,000	11.0×3.9×13.5	●	3
RDC503051A	Vertical	Reflow	320°	±2%	10kΩ	1,000,000	11.0×12.0×2.75	●	4
RDC503052A	Vertical	Reflow	320°	±2%	10kΩ	1,000,000	11.0×12.0×2.75	●	5
RDC503061A	Vertical	Reflow	140°	±2%	4.7kΩ	1,000,000	11.0×12.0×2.75	●	4
RDC506018A	Vertical	Reflow (Low-profile)	320°	±2%	10kΩ	1,000,000	11.0×12.0×2.2	●	6
RDC506A03A	Vertical	Reflow (Low-profile, Long-life, Without case hole)	320°	±2%	10kΩ	2,000,000	11.0×12.0×2.2	●	7

⚠ Note

1. This catalog shows only outline specifications. When using the products, please obtain formal specifications for supply.
2. Please place purchase orders per minimum order unit (integer).

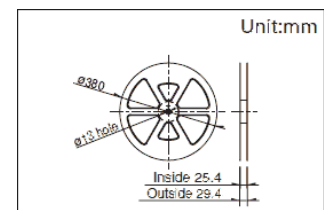
■ Packing Specifications

Tray

Products No.	Number of packages(pcs.)		Export package measurements (mm)
	1 case / Japan	1 case / export packing	
RDC501051A RDC501052A	1,500	3,000	526×370×191
RDC502012A	1,600	1,600	370×280×92

Taping

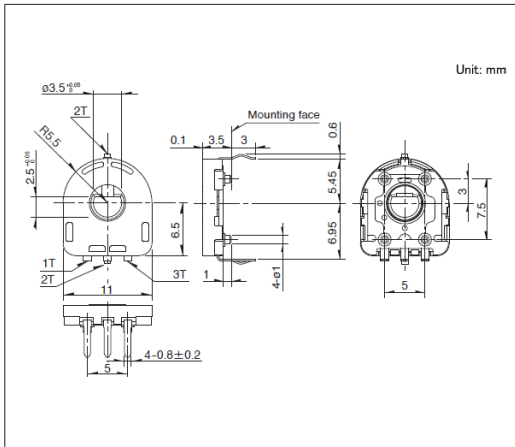
Products No.	Number of packages(pcs.)			Tape width (mm)	Export package measurements (mm)
	1 reel	1 case / Japan	1 case / export packing		
RDC503051A RDC503052A RDC503061A	1,300	3,900	3,900	24	415×407×135
RDC506018A RDC506A03A	1,200	3,600	3,600	24	415×407×135



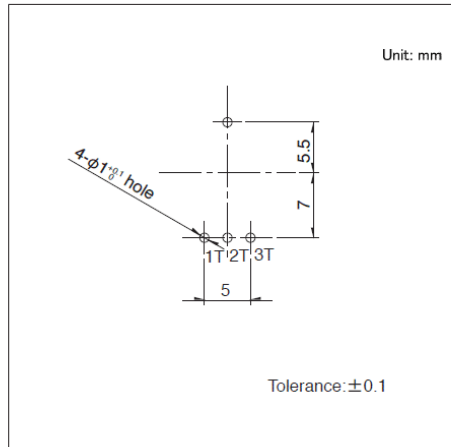
Rotary Type
RDC50 Series

Drawing No.1

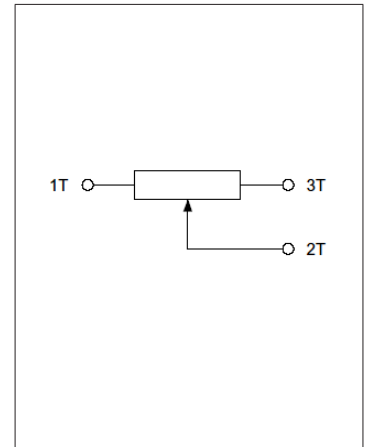
■ Dimensions



■ Mounting Hole Dimensions



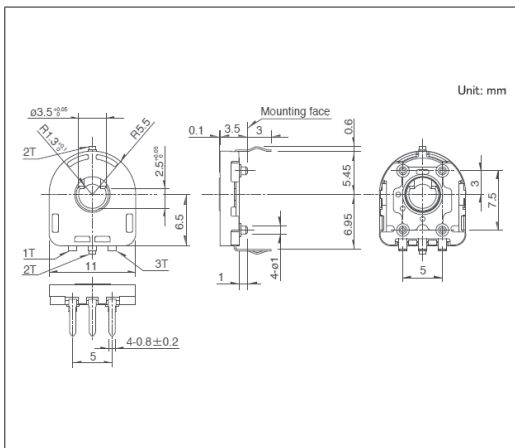
■ Circuit Diagram



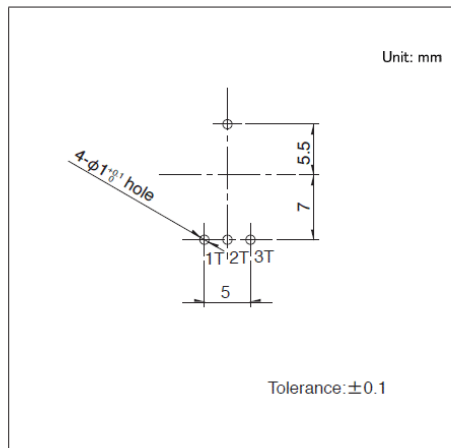
Viewed from mounting side

Drawing No.2

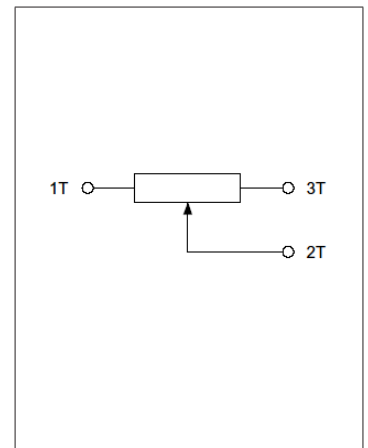
■ Dimensions



■ Mounting Hole Dimensions



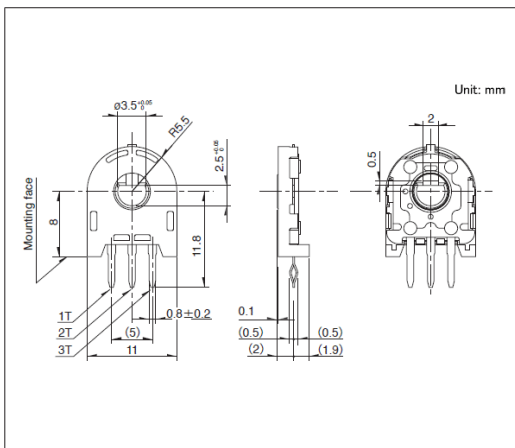
■ Circuit Diagram



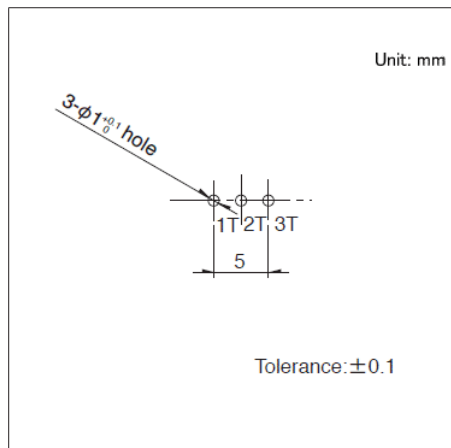
Viewed from mounting side

Drawing No.3

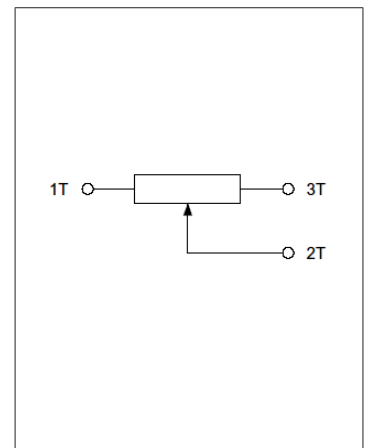
■ Dimensions



■ Mounting Hole Dimensions



■ Circuit Diagram

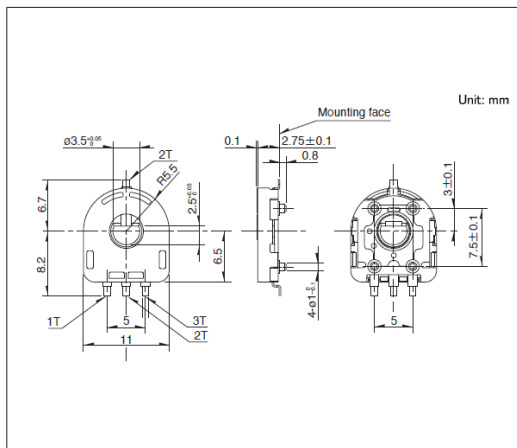


Viewed from mounting side

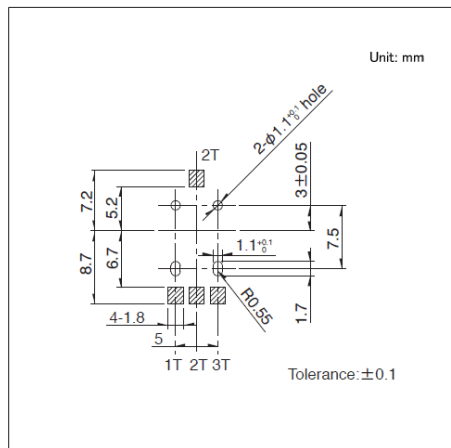
Sensors Resistive Position Sensors
Rotary Type
RDC50 Series

Drawing No.4

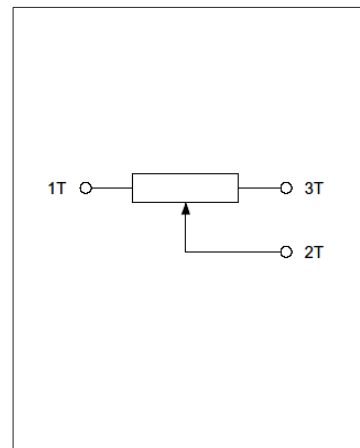
■ Dimensions



■ Mounting Hole Dimensions



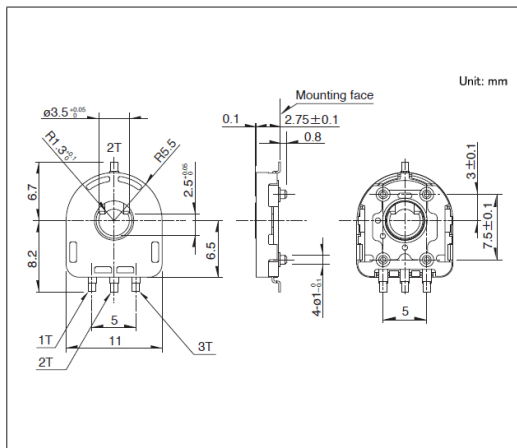
■ Circuit Diagram



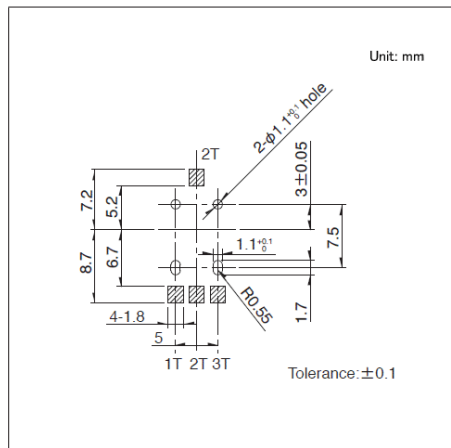
Viewed from mounting side

Drawing No.5

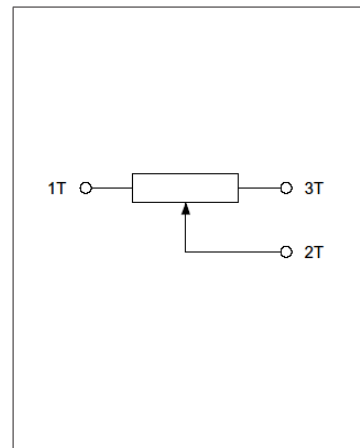
■ Dimensions



■ Mounting Hole Dimensions



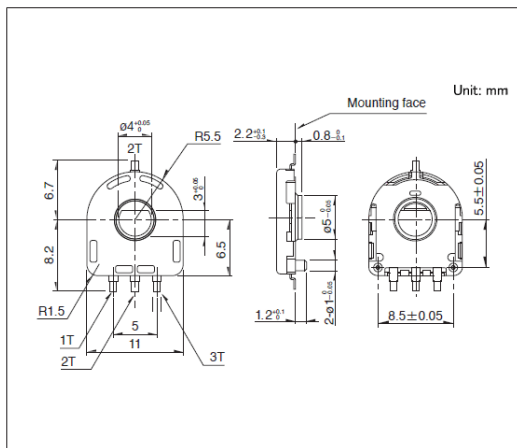
■ Circuit Diagram



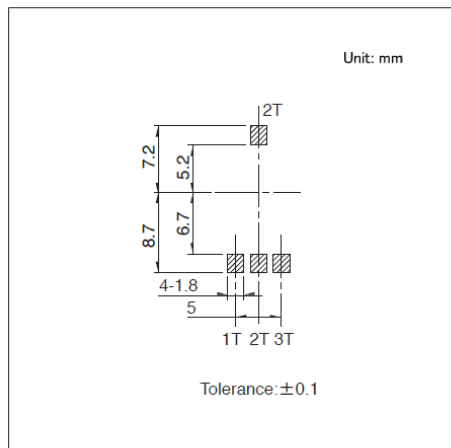
Viewed from mounting side

Drawing No.6

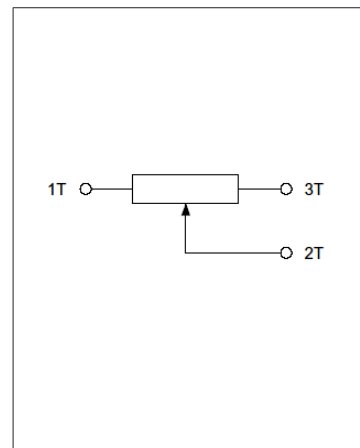
■ Dimensions



■ Land Dimensions



■ Circuit Diagram



Viewed from mounting side

