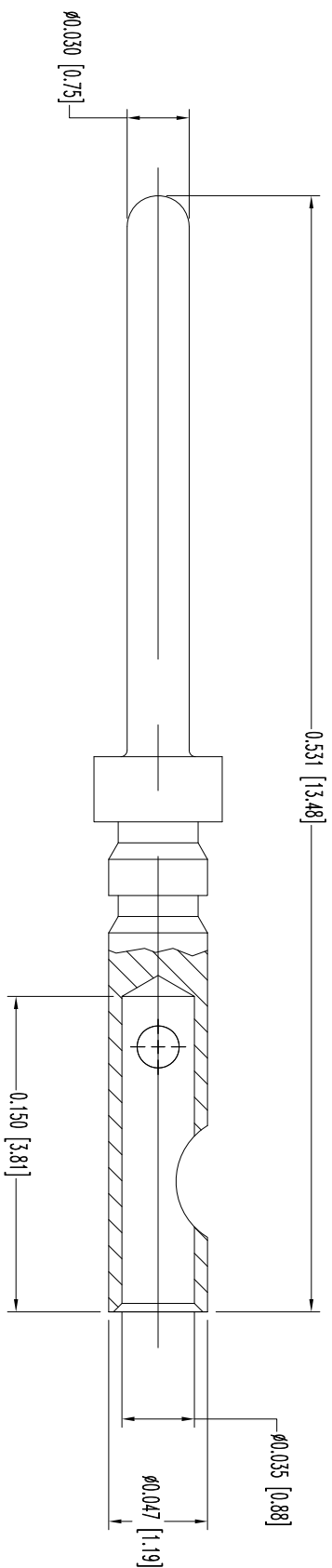


THIS DRAWING CONTAINS INFORMATION PROPRIETARY TO POSITRONIC AND ITS SUBSIDIARIES. POSITRONIC BELIEVES THE DATA ON THIS DRAWING TO BE RELIABLE, SINCE THE INFORMATION WAS OBTAINED FROM POSITRONIC'S OWN TESTS, MEASUREMENTS AND INSPECTIONS. POSITRONIC ASSUMES NO RESPONSIBILITY FOR RESULTS OBTAINED OR DAMAGES INCURRED FROM USE OF SUCH INFORMATION IN WHOLE OR IN PART.



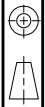
DATE	REV	REVISION RECORD	APP	DR	CK
7-10-08	NC	ECO 29662	TK	YK	COLM

SK9555



**POSITRONIC INDUSTRIES INC.**  
www.connectpositronic.com

FSCM 28198



DECIMAL TOL.  
± 0.015 [0.38]

DD SERIES

SCALE  
N.T.S.

DRAWN BY  
YK

APPROVED BY  
TK KEPLER

TITLE

MS8022D

ANGULAR TOL.  
± 5°

DATE  
7-10-08

DRAWING NUMBER  
SK9555

REV.  
NC

NOTES:

1. MATERIAL: BRASS, GOLD FLASH OVER NICKEL FINISH.
2. DIMENSIONS ARE IN INCHES [MILLIMETERS].