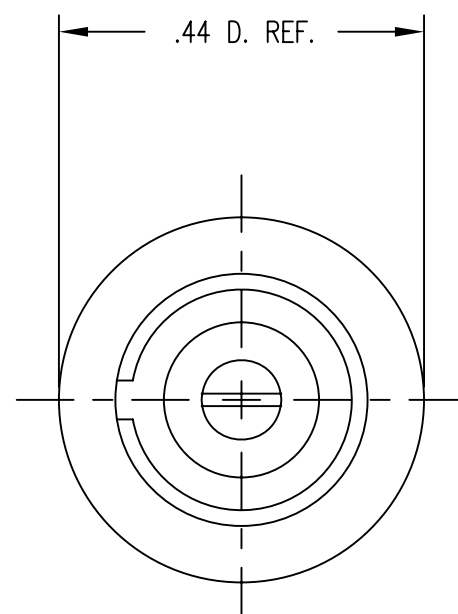
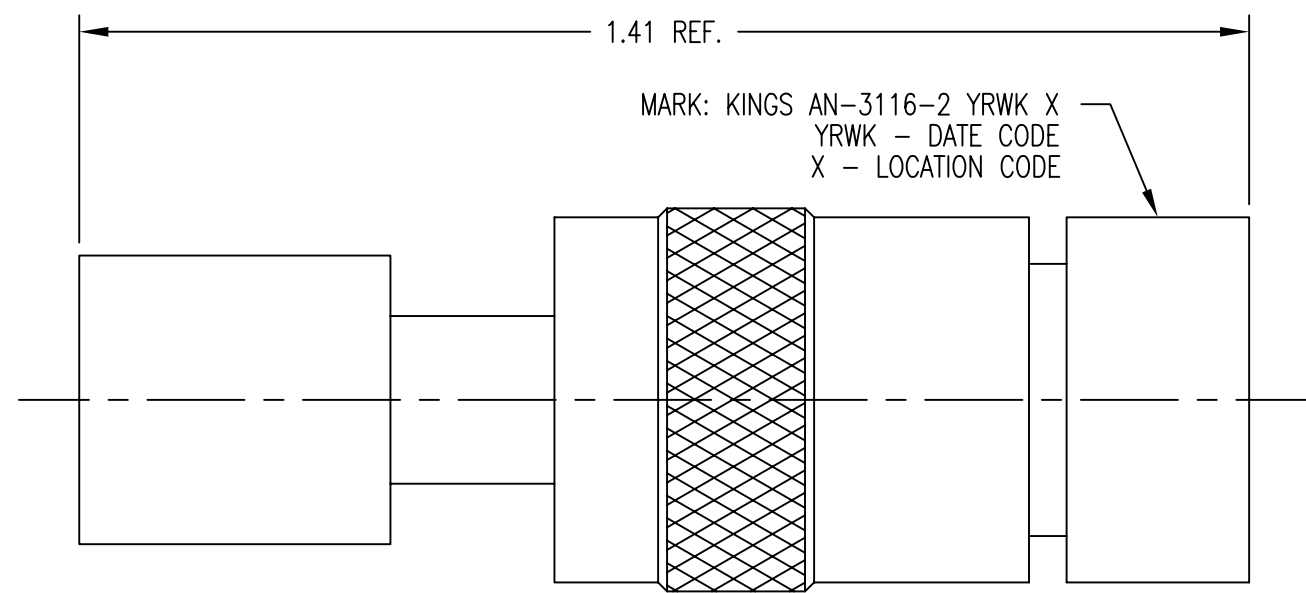


REVISIONS	
ISSUE	CHANGES
3	CN 28783 C CHC 04/22/87
E	ER13278 PSM 04/16/09

PART NO. K-2951



NOTES:

- MATERIALS:
 - INSULATOR } PHENOLIC PER HH-P-256
 - WASHER }
 - C-RING: PHOS. BRONZE, QQ-W-401
 - ALL OTHER PARTS: BRASS, ASTM-B16
- FINISHES:
 - CENTER CONTACT: SILVER PLATE PER QQ-S-365
 - ALL OTHER METAL PARTS: .0002 MIN. CADMIUM PLATE, WITHOUT SUPPLEMENTARY CHROMATE TREATMENT PER QQ-P-416, TYPE 1, CLASS C -OVER- .00001 MIN. ELECTRO TIN FLASH.

JCA2280

SCALE 4:1	
APPROX SURFACE AREA	
USED ON	
REF: AN 3116-2 REV. 2	
PLUG	
DRAWN JCA	DATE 12/11/91
DESIGN MJB	DATE 12/12/91
APPR.	DATE
KINGS by WINCHESTER ELECTRONICS	Winchester Electronics 82 Barnes Industrial Road North Wallingford, CT 06492
	B SIZE

SDK-2951