

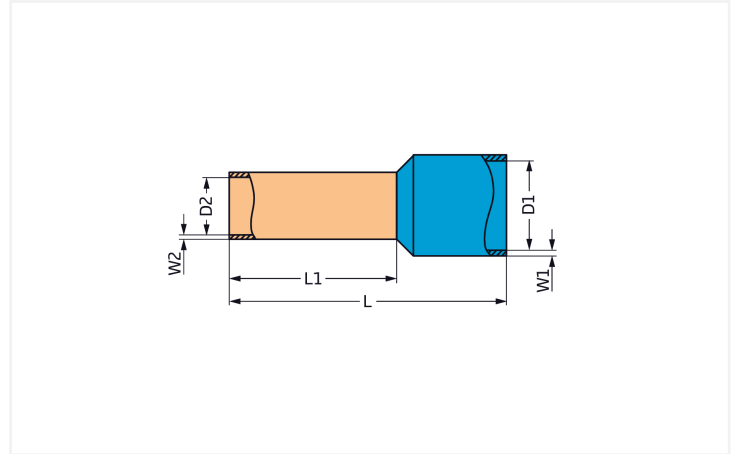
Data Sheet | Item Number: 216-205

Ferrule; Sleeve for 2.08 mm² / AWG 14; insulated; electro-tin plated; yellow

<https://www.wago.com/216-205>



Color: ■ yellow



Dimensions in mm

Connection Data

Metric cross-section of the ferrule	2.08 mm ²
Strip length	10 ... 11 mm / 0.39 ... 0.43 inches
Cross-section (AWG) of ferrule	14 AWG

Physical data

Total length	14 mm
Wall thickness of crimp sleeve	0.15 mm
Wall thickness (plastic collar)	0.3 mm
Crimp length (length of sleeve)	8 mm
Inner diameter of plastic collar	3.6 mm
Diameter crimp sleeve inside	2.05 mm

Mechanical data

Plastic collar	Special design
----------------	----------------

Material data

Color	yellow
Fire load	0.002 MJ
Weight	0.1 g

Commercial data

Product Group	2 (Terminal Block Accessories)
PU (SPU)	1000 (100) pcs
Packaging type	Box
Country of origin	DE
GTIN	4017332277501
Customs tariff number	85369010000

Product Classification

UNSPSC	39121405
eCl@ss 10.0	27-40-02-01
eCl@ss 9.0	27-40-02-01
ETIM 9.0	EC000005
ETIM 10.0	EC000005
ECCN	NO US CLASSIFICATION

Environmental Product Compliance

RoHS Compliance Status	Compliant, No Exemption
------------------------	-------------------------

Downloads

Environmental Product Compliance

Compliance Search

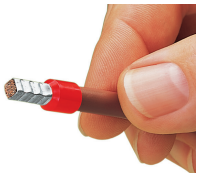
Environmental Product Compliance 216-205	↓
--	---

Documentation

Bid Text

216-205	19.02.2019	xml 2.80 KB	↓
216-205	11.09.2017	doc 23.50 KB	↓

Installation Notes



A perfect gas-tight crimp – both electrically and mechanically reliable

Subject to changes. Please also observe the further product documentation!

Current addresses can be found at: www.wago.com