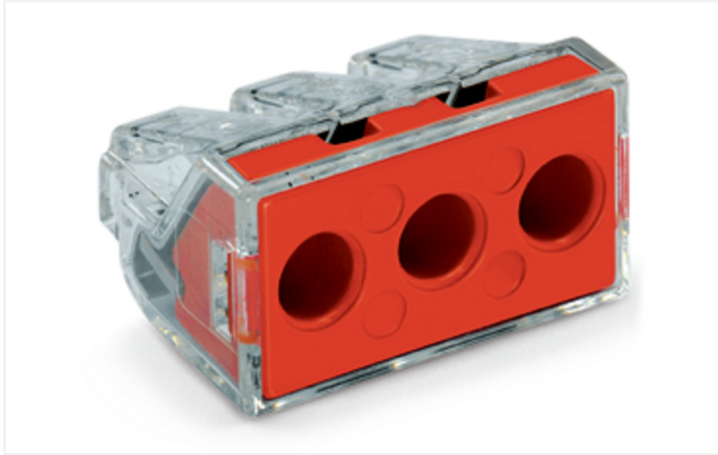


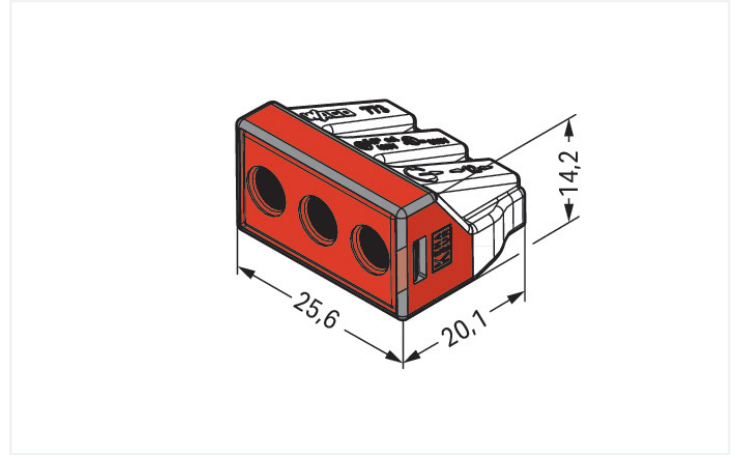
Data Sheet | Item Number: 773-173

PUSH WIRE® connector for junction boxes; for solid and stranded conductors; max. 6 mm²; 3-conductor; transparent housing; red cover; Surrounding air temperature: max 60°C; 6,00 mm²; transparent

<https://www.wago.com/773-173>



Color: transparent



Dimensions in mm

Push wire® splicing connector, 773 Series, Push-in

Push wire® splicing connector (item number 773-173) simplifies electrical installations. The 773 Series PUSH WIRE® connectors for junction boxes provide safe, quick, and easy installations in any building, no matter the position or location. Strip lengths must be between 12 and 13 mm when connecting conductors to push wire® splicing connector. This splicing connector has a rated voltage of 400 V and can handle currents up to 41 A, making it suitable for high-load applications. This product features conductor terminals and utilizes PUSH WIRE®. Our reliable PUSH WIRE® connection offers the fastest method for clamping conductors. It utilizes the conductor's stiffness to overcome the clamping spring's contact force. Dimensions: (25.6 x 14.2 x 20.1) mm (width x height x depth). Push wire® splicing connector is suitable for conductor cross sections ranging from 2.5 mm² to 6 mm².

The contact surface is coated with tin.

Notes

General safety information

NOTICE: Observe installation and safety instructions!

- **Only to be used by electricians!**
- Do not work under voltage/load!
- Use only for proper use!
- Observe national regulations/standards/guidelines!
- Observe technical specifications for the products!
- Observe the number of permissible potentials!
- Do not use damaged/dirty components!
- Observe conductor types, cross-sections and strip lengths!
- Insert conductor until it hits the product's backstop!
- Use original accessories!

Safety Information

To be sold only with installation instructions!

in grounded power lines

Electrical data

Ratings per	IEC/EN 60664-1		
Overvoltage category	III	III	II
Pollution degree	3	2	2
Nominal voltage	-	-	400 V
Rated impulse withstand voltage	-	-	4 kV
Rated current	-	-	41 A

General information

Wiring direction	Side-entry wiring
------------------	-------------------

Connection Data

Clamping units	3
Total number of potentials	1

Connection 1

Connection technology	PUSH WIRE®
Actuation type	Push-in
Connectable conductor materials	Copper Aluminum
Connectable conductor materials (note)	Terminating Aluminum Conductors (not for use in North America) WAGO Spring-Clamp Terminal Blocks are also suitable for solid aluminum conductors up to 4 mm ² /12 AWG if WAGO "Alu-Plus" Contact Paste 249-130 is used for termination.

"Alu-Plus" Contact Paste Advantages:

- Automatically destroys the oxide film during clamping.
- Prevents fresh oxidation at the clamping point.
- Prevents electrolytic corrosion between aluminum and copper conductors (in the same terminal block).
- Provides long-term protection against corrosion.

For spring pressure connections with PUSH WIRE® connection technology, **WAGO recommends that the aluminum conductor first be cleaned** and then immediately inserted into the clamping unit filled with "Alu-Plus" contact paste.

It is also possible to apply WAGO "Alu-Plus" **additionally** on the whole surface of the aluminum conductor before termination.

Please note that the nominal currents must be adapted to the reduced conductivity of the aluminum conductors:

2.5 mm² = 16 A
4 mm² = 22 A

Solid conductor	2.5 ... 6 mm ² / 14 ... 10 AWG
Stranded conductor	2.5 ... 6 mm ² / 14 ... 10 AWG
Strip length	12 ... 13 mm / 0.47 ... 0.51 inches
Wiring direction	Side-entry wiring

Physical data

Width	25.6 mm / 1.008 inches
Height	14.2 mm / 0.559 inches
Depth	20.1 mm / 0.791 inches

Material data

Note (material data)	Information on material specifications can be found here
Color	transparent
Cover color	red
Material group	IIIa
Insulation material (main housing)	Polycarbonate (PC)
Flammability class per UL94	V2
Clamping spring material	Chrome-nickel spring steel (CrNi)
Contact material	Electrolytic copper (E _{Cu})
Contact Plating	Tin
Fire load	0.108 MJ
Weight	5.8 g

Environmental requirements

Ambient temperature (operation)	+60 °C
Continuous operating temperature	105 °C

Commercial data

PU (SPU)	500 (50) pcs
Packaging type	Box
Country of origin	CN
GTIN	4050821215141
Customs tariff number	85369010000

Product Classification

UNSPSC	39121409
eCl@ss 10.0	27-14-11-04
eCl@ss 9.0	27-14-11-04
ETIM 9.0	EC000446
ETIM 10.0	EC000446
ECCN	NO US CLASSIFICATION

Environmental Product Compliance

RoHS Compliance Status	Compliant, No Exemption
------------------------	-------------------------

Approvals / Certificates

General approvals



Approval	Standard	Certificate Name
CSA DEKRA Certification B.V.	C22.2	15411 (LR46759)
ENEC 15 UL International Germany GmbH	EN 60998	ENEC-01207
UL UL International Germany GmbH	UL 486C	E69654

Approvals for marine applications



Approval	Standard	Certificate Name
ABS American Bureau of Shipping	-	23-2417173-PDA

Downloads

Environmental Product Compliance

Compliance Search

Environmental Product Compliance 773-173	↓
--	---

Documentation

Bid Text

773-173	19.02.2019	xml 3.24 KB	↓
773-173	17.05.2017	doc 25.00 KB	↓
ausschreiben.de 773-173			↓

CAD/CAE-Data

CAD data

2D/3D Models 773-173	↓
----------------------	---

CAE data

EPLAN Data Portal 773-173	↓
WSCAD Universe 773-173	↓
ZUKEN Portal 773-173	↓

1 Compatible Products

1.1 Optional Accessories

1.1.1 Mounting adapter

1.1.1.1 Mounting accessories



Item No.: [773-332](#)

Mounting carrier; 773 Series - 2.5 mm² / 4 mm² / 6 mm²; for DIN-35 rail mounting / screw mounting; orange

1.1.2 Tool

1.1.2.1 "Alu-Plus" contact paste



Item No.: [249-130](#)

Syringe; Contents: 20 ml Alu contact paste