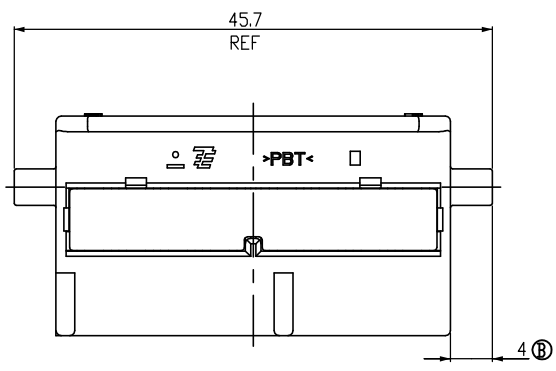
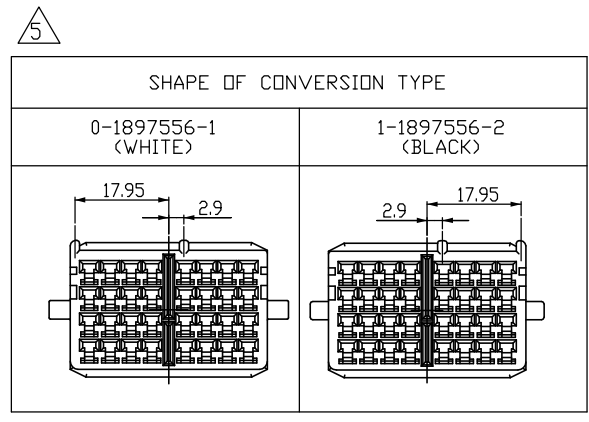


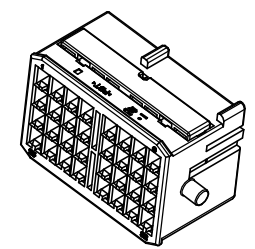
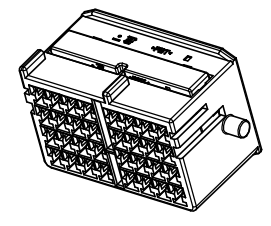
THIS DRAWING IS UNPUBLISHED. RELEASED FOR PUBLICATION 20
 © COPYRIGHT 20 BY TYCO ELECTRONICS CORPORATION. ALL RIGHTS RESERVED.

LOC	DIST	REVISIONS			
P	LTR	DESCRIPTION	DATE	DWN	APVD
	A	RELEASED	03APR09	IS	HG
	B	REVISED (ECR-10-008163)	13APR10	WY	HG

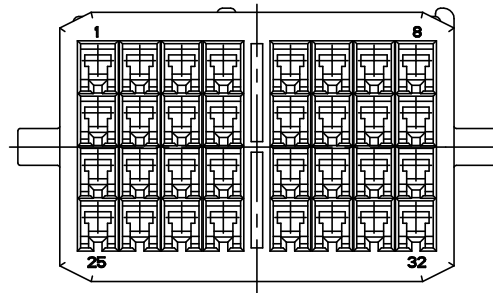
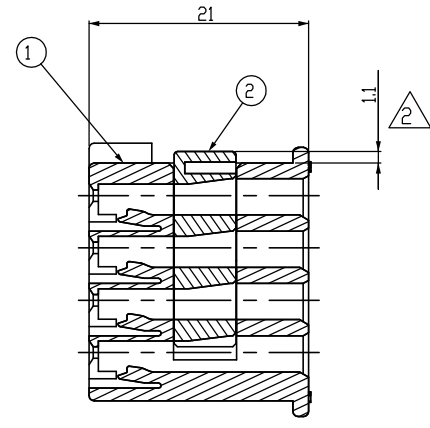
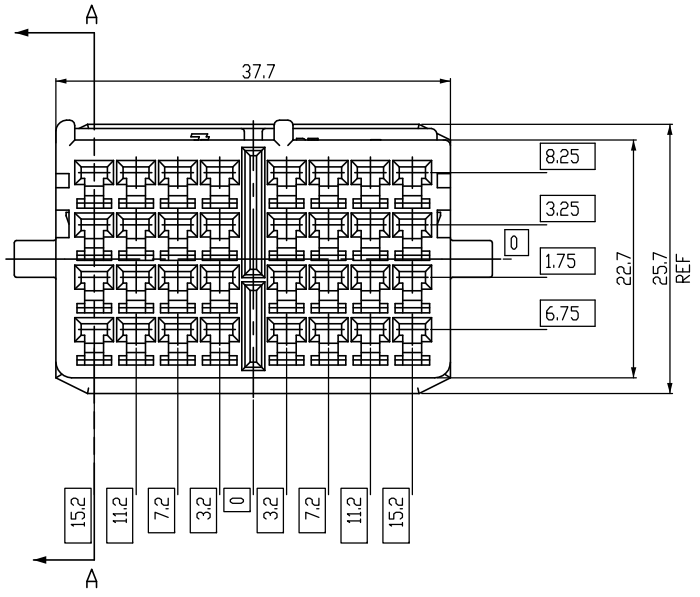


[TABLE 1]

TYPE	P/N	WIRE SIZE	MATERIAL/FINISH
.090	0-1743654-1	0.3~0.5	CuNiSI ALLOY PRE-TIN
	0-1743655-1	0.75~1.25	
	0-1743656-1	1.5~2.0	
	0-1897598-1	2.5	



ISO VIEW



NOTE
 1.GENERAL TOLERANCE: ±0.3, ±3°
 2.CONDITION OF DELIVERY: DBL IN 1ST.LOCKING POSITION
 3.APPLIED CAP ASSY P/N:X-1897552-X
 4.APPLIED REC.CONTACT P/N: TABLE1
 5.CHECK CONVERSION KEY CODE

NO	COLOR	MATERIAL	DESCRIPTION	Q'TY	ASSY P/N
2	YELLOW	PBT	DBL HSG	1	0-1897556-1
1	BLACK	PBT	PLUG HSG	-	1-1897556-2
1	NATURAL	PBT	PLUG HSG	1	-

THIS DRAWING IS A CONTROLLED DOCUMENT FOR TYCO ELECTRONICS CORPORATION. IT IS SUBJECT TO CHANGE AND THE CONTROLLING ENGINEERING ORGANIZATION SHOULD BE CONTACTED FOR THE LATEST REVISION.

DIMENSIONS: mm	TOLERANCES UNLESS OTHERWISE SPECIFIED	DWN WY JANG	CHK JW JUNG	APVD HG CHO	NAME Tyco Electronics Kyungsan Korea
3RD ANGLE PROJECTION	0 PLC ± 1 PLC ± 2 PLC ± 3 PLC ± 4 PLC ± ANGLES ±	PRODUCT SPEC	APPLICATION SPEC	WEIGHT -	SIZE A2 CAGE CODE 00779 DRAWING NO C=1897556 RESTRICTED TO -
MATERIAL -	FINISH -	CUSTOMER DRAWING		SCALE 2:1	SHEET 1 OF 1 REV B