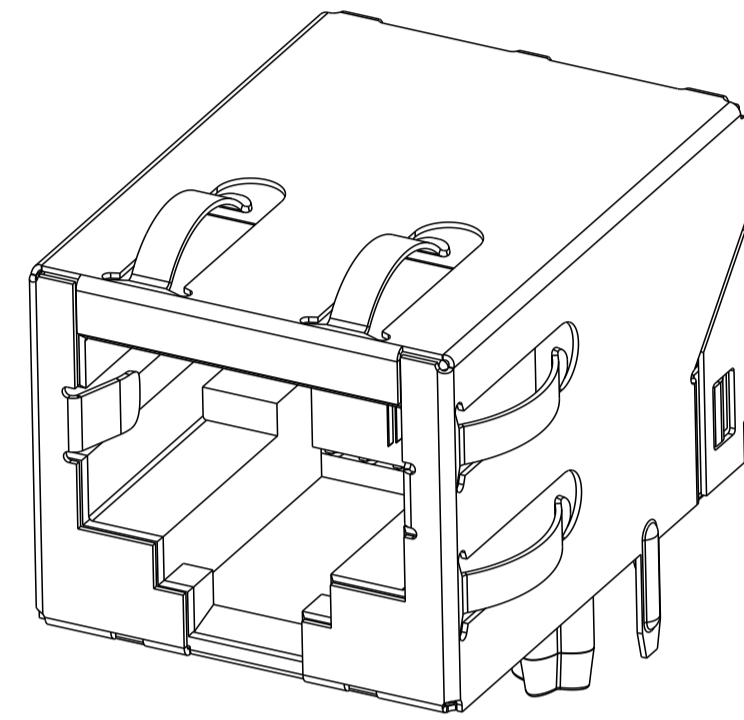
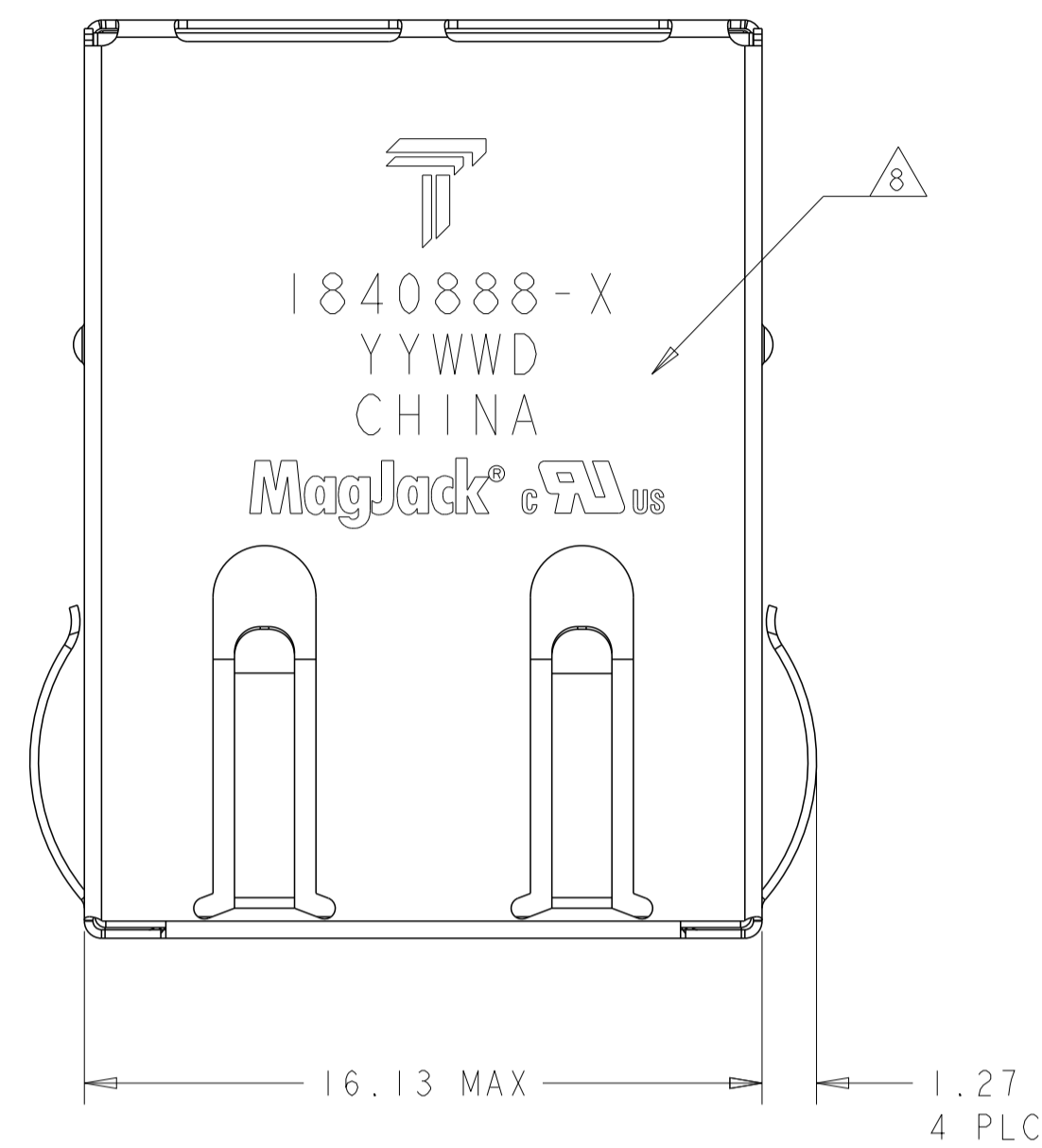


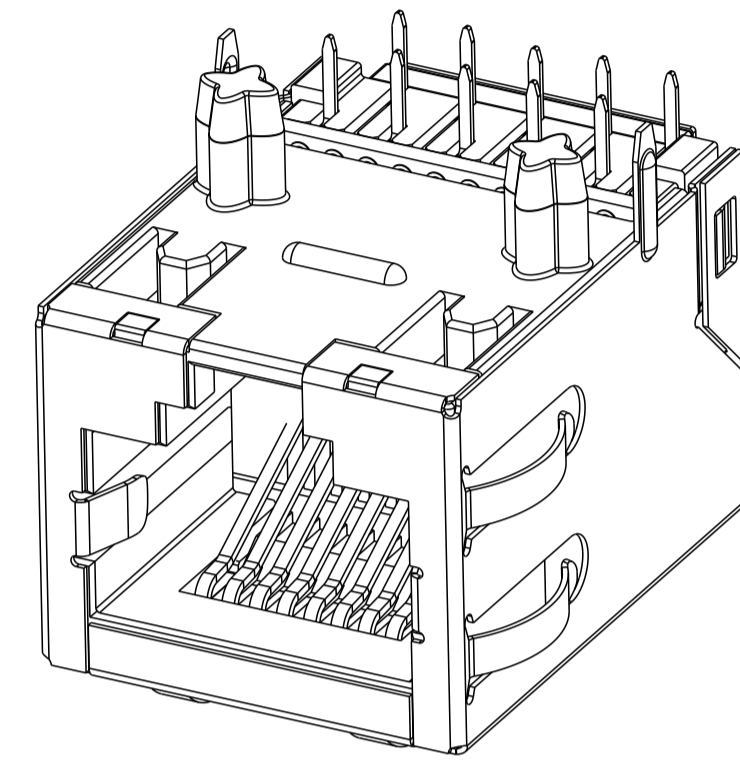
THIS DRAWING AND THE SUBJECT MATTER SHOWN THEREON ARE CONFIDENTIAL AND THE PROPERTY OF BEL/STEWART/TRP CONNECTOR AND SHALL NOT BE REPRODUCED, COPIED, OR USED IN ANY MANNER WITHOUT THE WRITTEN CONSENT OF TRP CONNECTOR.

PRODUCT MAY BE PROTECTED BY ONE OR MORE OF THE FOLLOWING US PATENTS:  
 5736910 5939955 6425781 6428361 6554638 6840817 7123117  
 7429195 7717749 7808751 6217391 6149050 7924130

REVISIONS				
P.	LTN	DESCRIPTION	DATE	OWN APVD
6		EC-1411035 COMPANY LOGO CHANGE	09JAN2015	RL TY



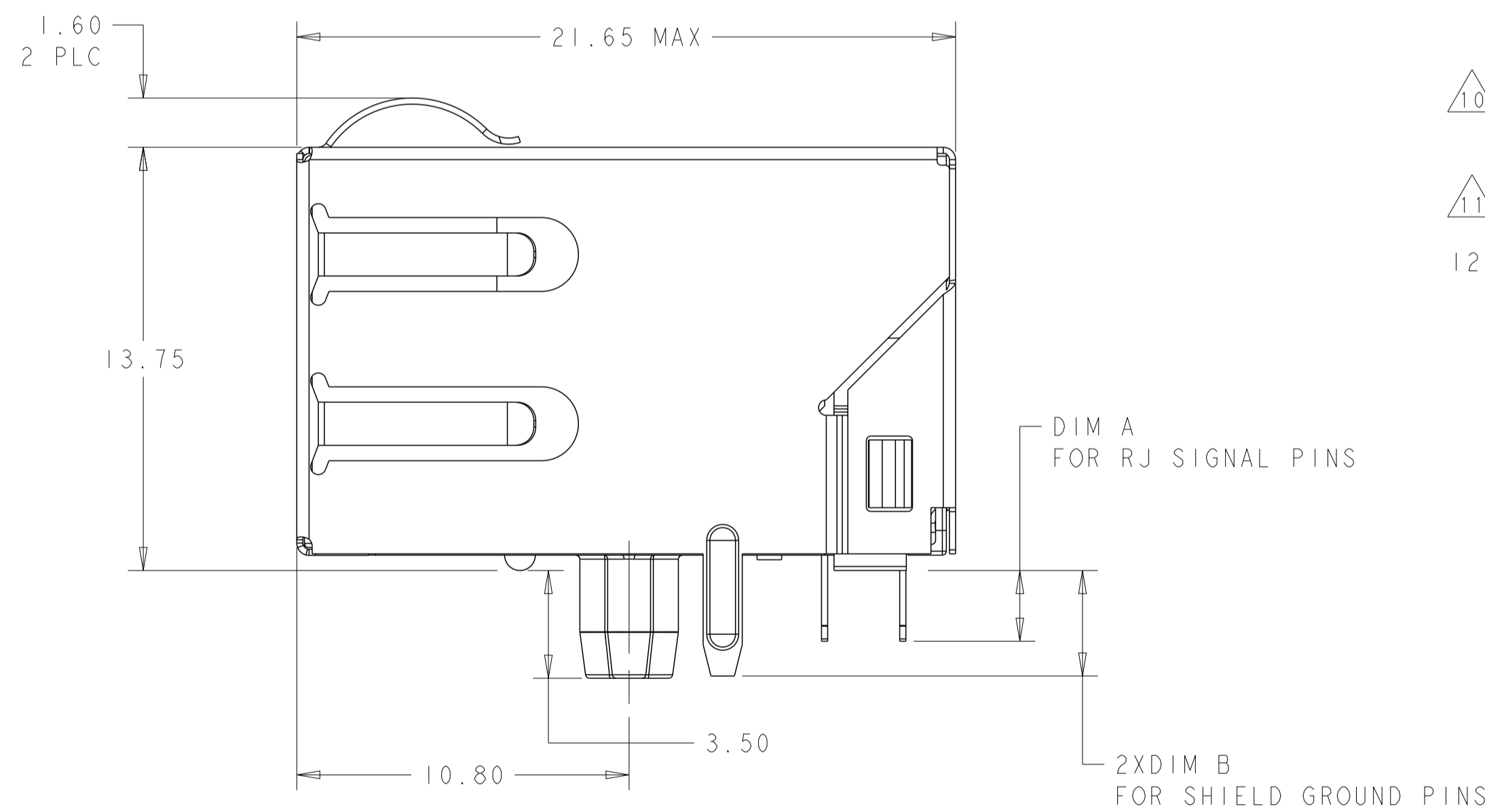
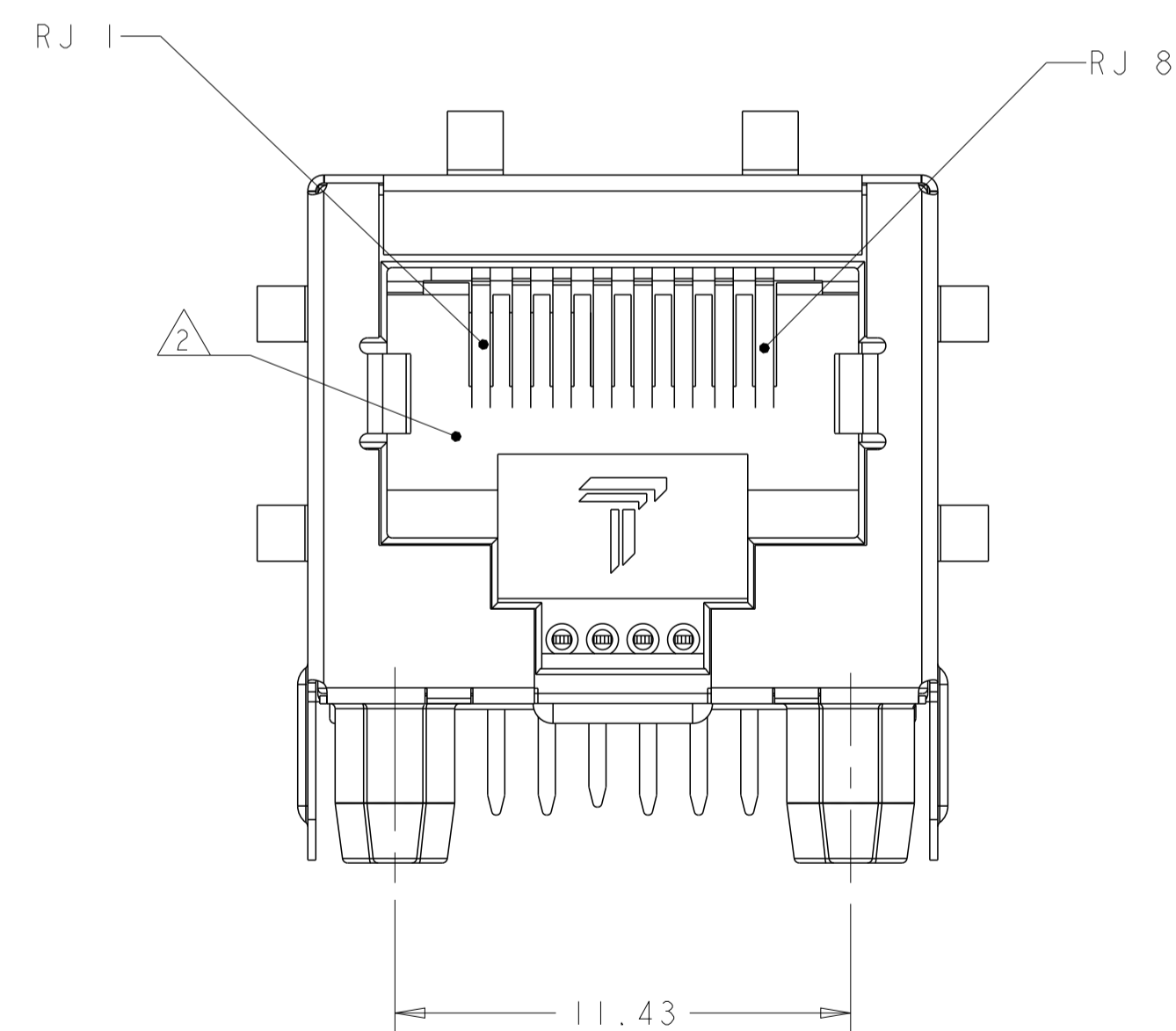
SCALE 4:1



SCALE 4:1

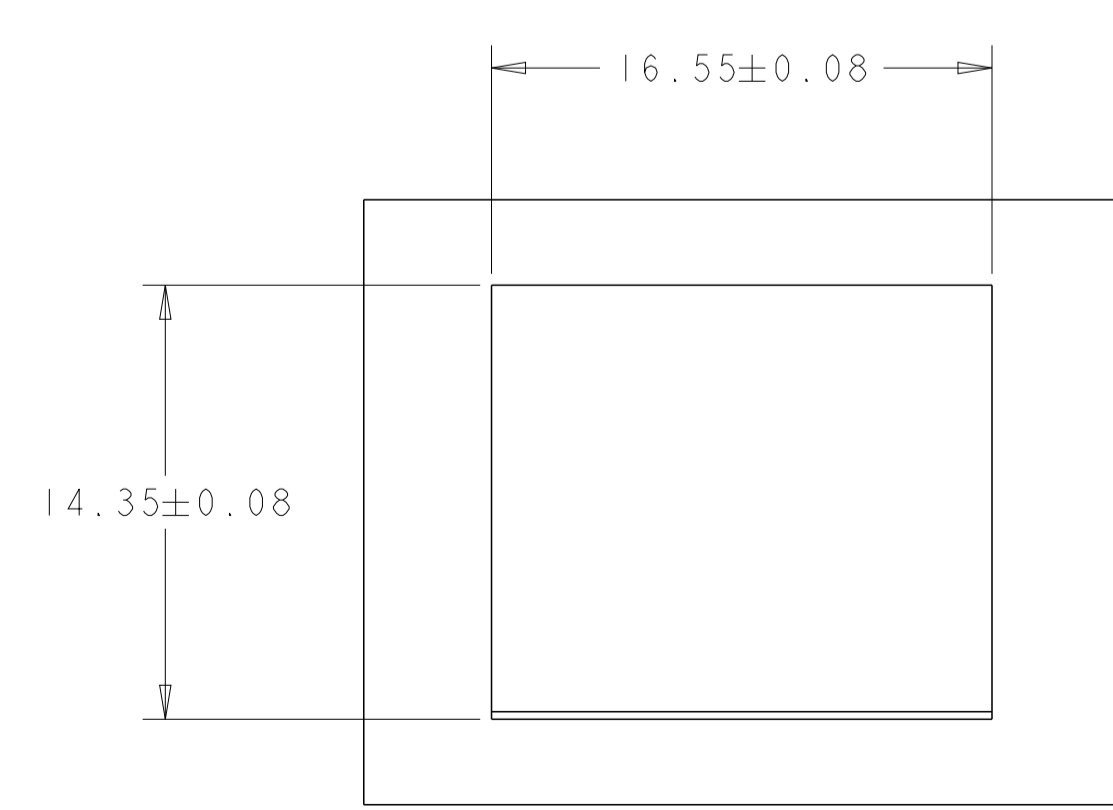
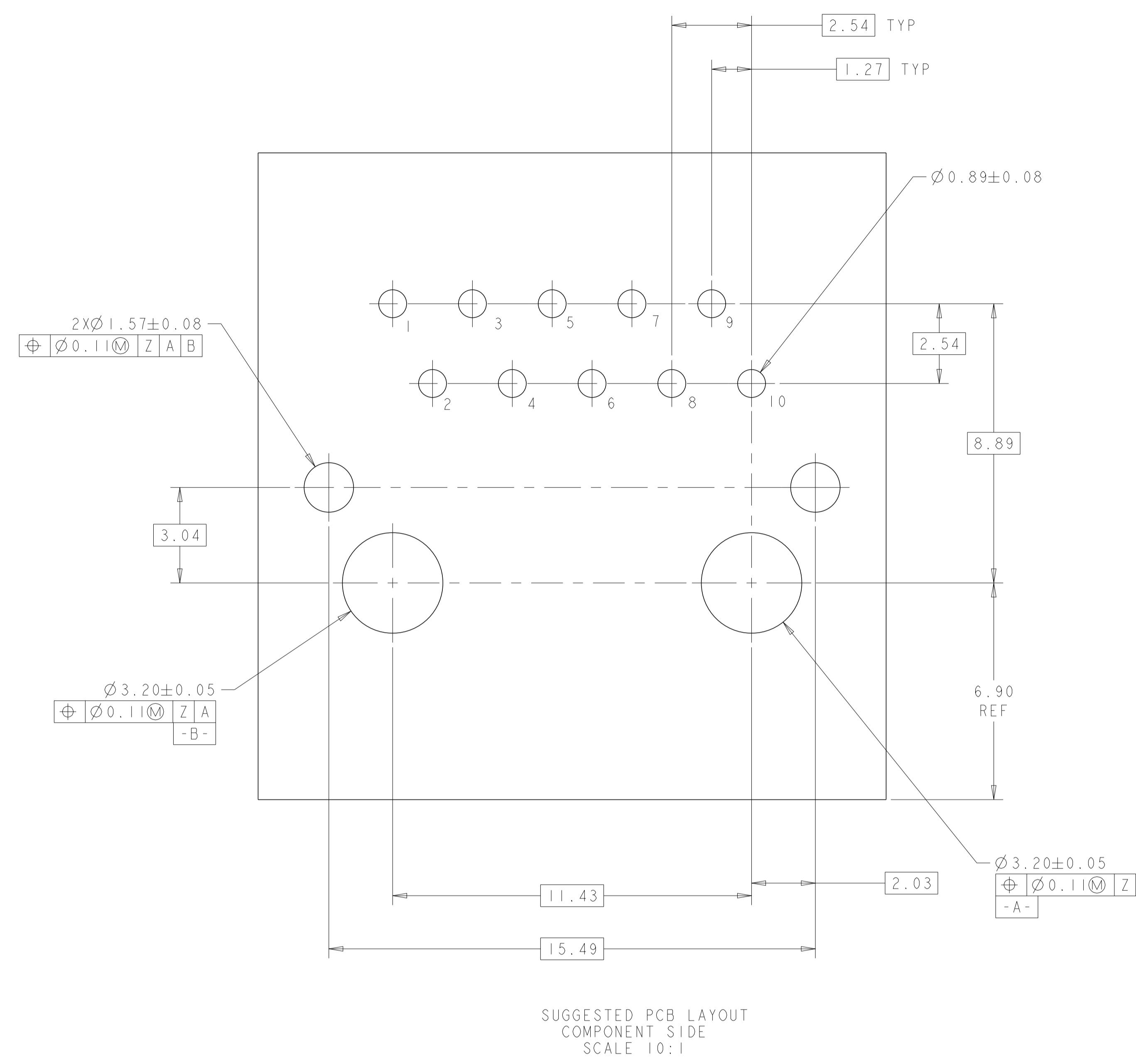
NOTES:

1. MATERIALS
  - HOUSING: THERMOPLASTIC, FLAMMABILITY RATING UL 94V-0.
  - SHIELD: BRASS 0.20mm THICK, PREPLATED WITH 0.76um MIN SEMI-BRIGHT NICKEL. SOLDER TABS POST DIPPED WITH 2.54um MIN SOLDER.
  - CONTACTS: PHOSPHOR BRONZE 0.46mm X 0.30mm, PHOSPHOR BRONZE, 1.27um MIN NICKEL UNDERPLATE, WITH 1.27um MIN GOLD PLATING AT MATING INTERFACE AND 2.54um MIN MATTE TIN ON SOLDER TAILS
  - SOLDER TAILS: 0.25mm THICK, PHOSPHOR BRONZE, 1.27um MIN OVERALL NICKEL UNDERPLATE, 3um TIN PLATE
2. RJ45 JACK CAVITY CONFORMS TO FCC RULES AND REGULATIONS PART 68 SUB PART F.
3. MAGNETICS
  - APPLICATION: 10/100/1000 BASE-T, EXTENDED TEMPERATURE
  - IMPEDANCE: 100 OHMS
  - TURNS RATIO (CHIP:CABLE): 1:1 ALL FOUR PAIRS
  - OPEN CIRCUIT INDUCTANCE (OCL): 350uH MIN. @100kHz, 0.1VRMS, 8mADC BIAS FROM -40°C TO +85°C, ALL FOUR PAIRS
  - ALL FOUR PAIRS BI-DIRECTIONAL
  - PERFORMANCE @ 25°C:
    - INSERTION LOSS (IL): 1.1dB MAX. FROM 0.5MHz TO 100MHz
    - RETURN LOSS (RL): 18dB MIN FROM 0.5MHz TO 40MHz
    - 12-20LOG(f/80)dB MIN. FROM 40.1MHz TO 100MHz
    - CROSSTALK ATTENUATION: 35dB MIN. FROM 0.5MHz TO 40MHz
    - 33-20LOG(f/50)dB MIN. FROM 40.1MHz TO 100MHz
    - COMMON MODE REJECTION RATIO (CMRR): 30dB MIN. FROM 0.5MHz TO 100MHz
4. ISOLATION VOLTAGE: 2250VDC FOR 60 SECONDS WITH A RISE TIME OF 500 V/SEC
5. ISOLATION VOLTAGE: 1500VAC (MAX) AT 60Hz FOR 60 SECS
6. OPERATING TEMPERATURE: FROM -40°C TO +85°C.
7. INDICATED MAGNETIC CONNECTIONS ARE SYMMETRICAL TO SUPPORT AUTO-MDI/MDIX.
8. TRP CONNECTOR LOGO, PART NUMBER, DATE CODE, COUNTRY OF ORIGIN AND AGENCY APPROVAL MARKING IN APPROXIMATE LOCATION SHOWN.
9. THESE PARTS ARE RECOMMENDED FOR WAVE SOLDERING PROCESS, PREHEAT TEMPERATURE IS 120°C TO 160°C, 120 SECONDS TO 180 SECONDS, PEAK WAVE SOLDERING TEMPERATURE IS 260°C MAX, 10 SECONDS MAX.
10. THESE PARTS ARE RECOMMENDED FOR IR REFLOW SOLDERING PROCESS, PEAK SOLDERING TEMPERATURE 260°C MAX DURATION TIME 10 SECONDS MAX, OVER 230°C WITHIN 40-60 SECONDS.
11. DECOUPLING CAPACITOR C1 IS OPTIONAL
12. PART PACKAGE METHOD: TRAY

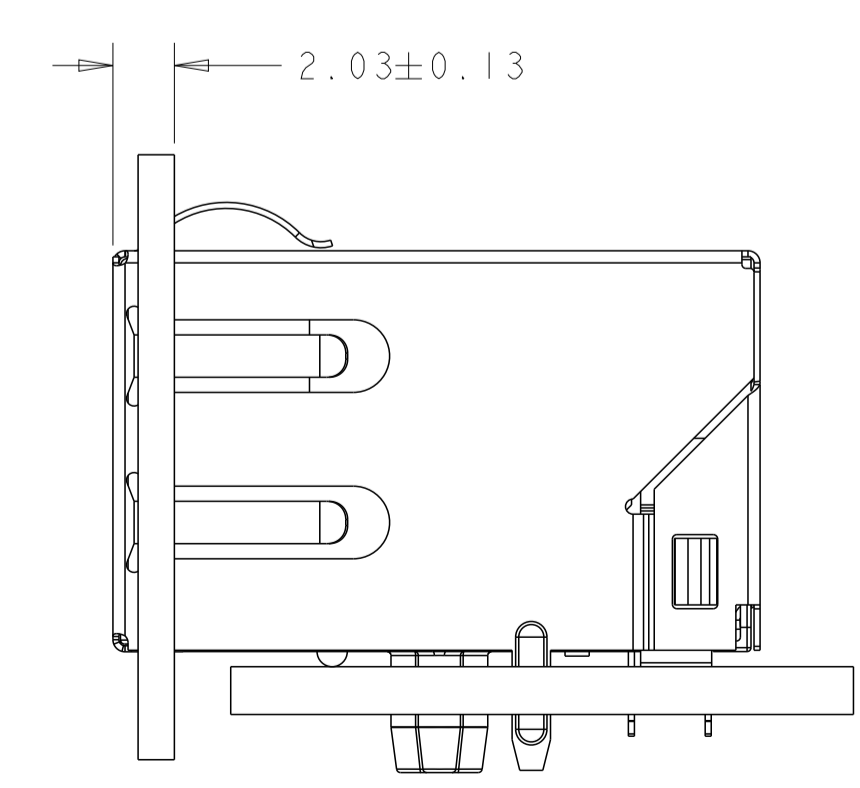


5	3 KV	3.43	2.30	9	1840888-5
4	2 KV	4.90	4.90	9	1840888-4
4	2 KV	3.43	3.68	9	1840888-3
4	2 KV	3.43	2.30	10	1840888-2
4	2 KV	3.43	2.30	9	1840888-1
ISOLATION VOLTAGE	DECOUPLING CAPACITOR	DIM B	DIM A	APPLICATION	PART NO.

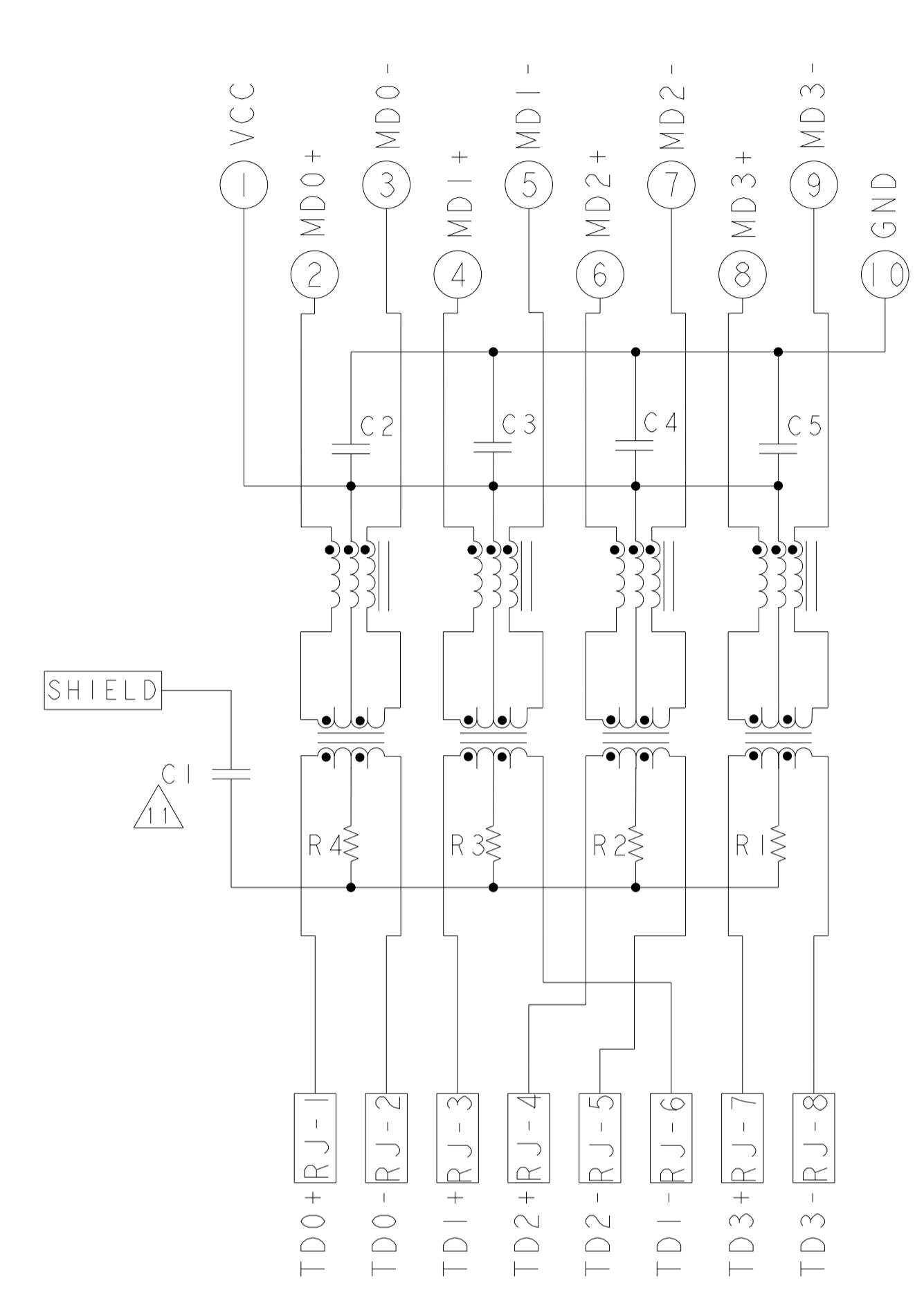
DIMENSIONS:		TOLERANCES UNLESS OTHERWISE SPECIFIED:		APPROVALS		TRP CONNECTOR		DONGGUAN CHINA	
mm	0 PLC	±0.25		OWN	09MAR2011			1X1 4G46ETPI GIGABIT TAB DOWN W/O LED	
	1 PLC	±0.25		CHK	09MAR2011				
	2 PLC	±0.25		CHK	09MAR2011	MODEL NAME: MAGJACK		SIZE: A1	
	3 PLC	±		CHK	09MAR2011	PRODUCT SPEC: SINGLE Non-PoE		SCALE: 4:1	
	4 PLC	±		CHK	09MAR2011	APPLICATION SPEC:		SHEET 1 OF 2	
	ANGLES			CHK	09MAR2011	CUSTOMER DRAWING		REV 5	



SUGGESTED PANNEL OPENING



4G46ETPI GIGABIT CIRCUIT  $\triangle 3/7$



$\triangle 1$  C1=1000pF, CAPACITOR  
 R1-R4=75 Ohms, RESISTORS  
 C2-C5=0.1uF, 50V CAPACITOR

THIS DRAWING IS A CONTROLLED DOCUMENT.		DWN ROY LIU/EVAN MA 09MAR2011		DONGGUAN CHINA
DIMENSIONS: mm		CHK TOWER YU/FRANK LIU 09MAR2011		
TOLERANCES UNLESS OTHERWISE SPECIFIED:		APVD KEITH ZHU 09MAR2011		MODEL NAME: MAGJACK DESC: 1X1 4G46ETPI GIGABIT TAB DOWN W/O LED
0 PLC ±0.25		1 PLC ±0.25		
2 PLC ±0.25		3 PLC ±0.25		SIZE: A1 CAGE CODE: - DRAWING NO: 1840888 RESTRICTED TO: -
4 PLC ±		ANGLES ±		
PRODUCT SPEC: 108-104004		APPLICATION SPEC: -		SCALE: 4:1 SHEET: 2 OF 2 REV: 5
CUSTOMER DRAWING				