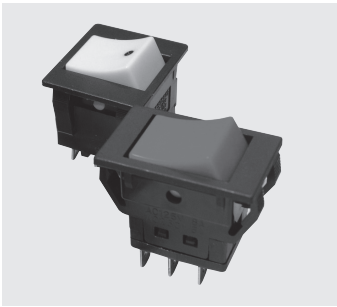


# HLS

## Miniature Rocker Switches

RoHS Compliant



### Features

Economical prices are achieved through out-and-out VA and silver-saving design. Contact stability and high reliability are ensured thanks to the adoption of the seesaw type sliding contact mechanism (patented) (see the figure below) and the switch are usable for a wide range of current capacity from 1 mA to 12 A. In addition, the self-extinguishing phenol resin is used for the housing material, thereby ensuring excellent insulation and surge resistance.

### Part Numbering

**HLS 1 12 A 12**  
 Series code    Number of poles    Current    Switching function    Terminal style

Series code	Actuator shape	Fig.	Number of poles	Fig.	Current	Code	Switching function	Fig.	Terminal styles
HLS		1	1 pole	08	8A	A K	OFF — ON	None	TAB:#187 (t=0.5)
		2	2 poles	12	12A		D N		ON — ON
		3	3 poles						

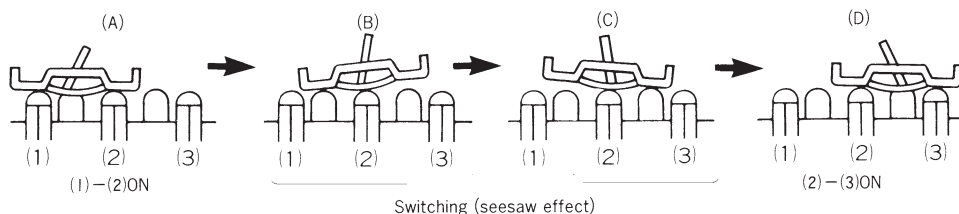
Note : Some model names may not be registered. Please refer to the product list for this series.

### Terminal Styles

1 pole		2 poles, 3 poles	
TAB #187 -/Style : -	Solder Terminal 12/Style : 12	TAB #187 -/Style : -	Solder Terminal 12/Style : 12
t=0.5	t=1	t=0.5	t=0.5

### Seesaw Type Sliding Mechanism (Patented)

The movable contact moves from (A) to (B) as it wipes the contact surface and, at (B) and (C), the switching feel can be obtained due to the seesaw effect on the common terminal (2). Then, the movable contact moves from (C) to (D) as it wipes the contact surface and, at the point (D), the common terminal (2) and the terminal (3) are turned ON.



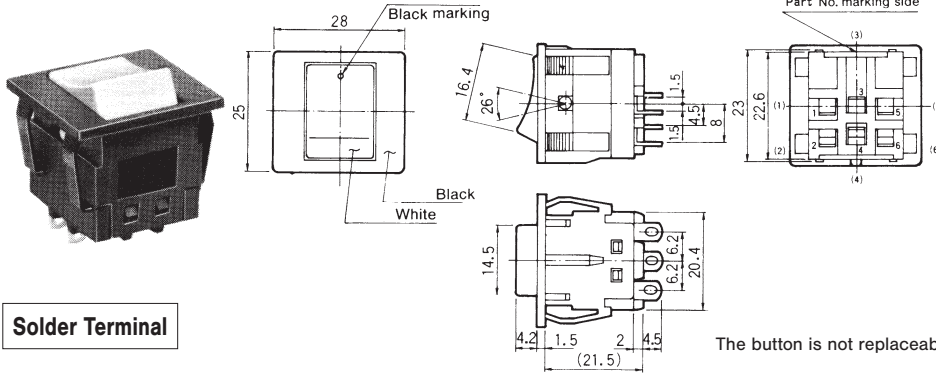


# HLS

## HLS308

### 3 poles

Terminal numbers are shown on the bottom of the switch.



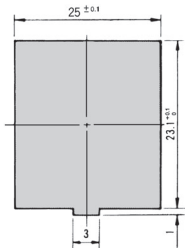
Part No.	Marking	
HLS308A12	ON	OFF
Connecting terminals	1-2 3-4 5-6	-

Solder Terminal

### Specifications

Rating		Initial contact resistance	Dielectric strength	Insulation resistance	Electrical life
Maximum rating	AC125 V 8 A AC250 V 5 A	100 mΩ Max. (DC~4 V 1 A)	AC2000 V 1 minute	100 MΩ Min. (DC500 V)	5,000 cycles
Minimum rating	AC·DC6 V 1 mA				

### Panel Cut-Out Dimensions



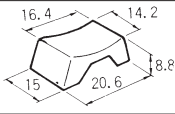
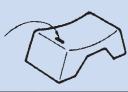
Panel thickness : 1~2 mm

### Soldering Specifications


Device : Soldering iron  
420°C, Max.; 3 seconds, Max.

### Accessories (Without HLS308)

《Supplied separately》

Accessories	Standard accessories	Optional accessories		
Part name	Button	Button		
Dimensions			Matte finish φ2.5×0.5 with φ2.5 concave	
Button color	Part number	Button color	Dot marking	Part number
White	140000480738	White	Red	140000480874
Red	140000480628	White	Black	140000481081
Black	140000480621	—	—	—
Gray	140000480629	—	—	—
Green	140000480631	Black	White	140000480710
Blue	140000480632	Black	Red	140000480650

A Color Button is supplied with the switch. Please select from the left standard accessories.

 : Optional Accessories.

### Table of Part Numbers

Switching function	TAB terminals (# 187)		Solder terminals		
	1-pole	2-poles	1-pole	2-poles	3-poles
OFF - ON	HLS112A	HLS208K	☆ HLS112A12	HLS208K12	HLS308A12
ON - ON	HLS112D	HLS208N	★ HLS112D12	☆ HLS208N12	-

★ : Made to order products. ☆ : Semi-standard products.