

THIS DRAWING IS UNPUBLISHED.

RELEASED FOR PUBLICATION

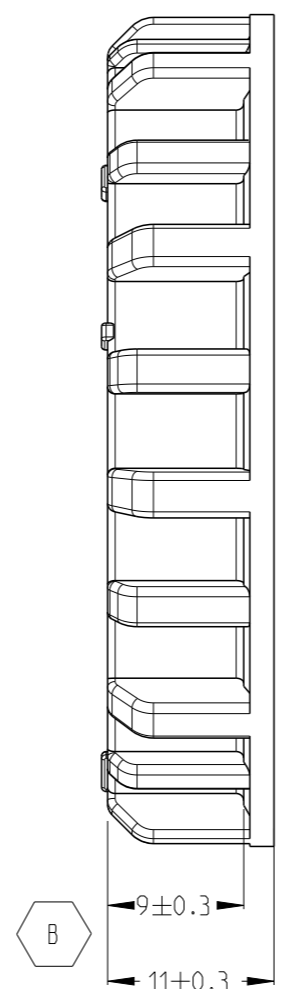
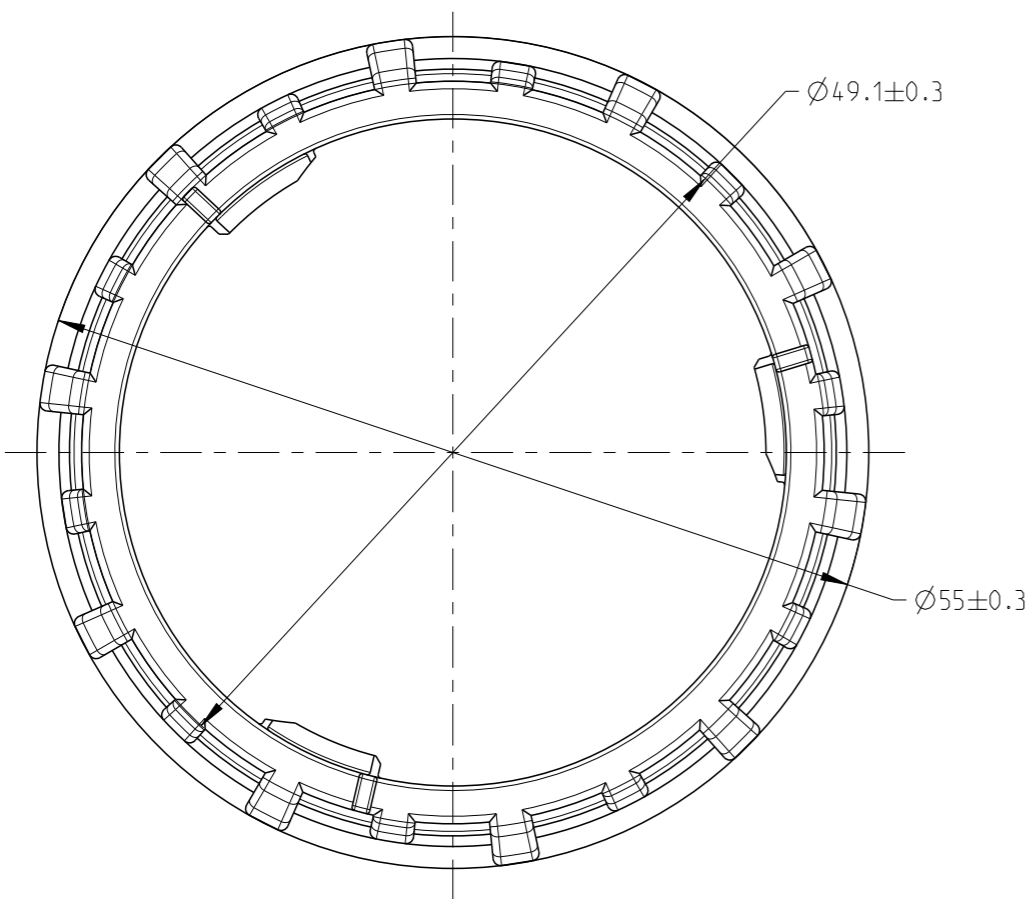
20

© COPYRIGHT 20 BY -

ALL RIGHTS RESERVED.


REVISIONS

P	LTR	DESCRIPTION	DATE	DWN	APVD
A		INITIAL RELEASED	13MAR2019	C.W	I.Y
A1		ECR-20-000774	16JAN2020	C.W	E.J
A2		ECN-23-218583	25MAR2022	J.S	Z.Z
B		ECN-25-356778	03DEC2025	J.S	C.W



- MATERIAL: PBT GF20 .COLOR YELLOW FOR DIFFERENT WALL THICKNESS APPLICATION;
- PRODUCT IS USED WITH THROUGH WALL CONNECTOR:
 1-2350891-1/2/3/4, 2-2350891-1/2/3/4.
 1-2405028-1/2/3/4
 1-2490990-1/2/3/4
 1-2490960-1/2/3/4

TE PN	REV	COLOR	WALL THICKNESS
2350943-4	A	BLUE	4.0±0.1
2350943-3	A	GREEN	3.5±0.1
2350943-2	B	GRAY	3.0±0.1
2350943-1	B	YELLOW	1.5±0.1

THIS DRAWING IS A CONTROLLED DOCUMENT.		DWN C.WAN 13MAR20189	 TE Connectivity		
DIMENSIONS: mm		CHK E.JIANG 28MAR20189			
TOLERANCES UNLESS OTHERWISE SPECIFIED:		APVD I.YIN 28MAR20189	NAME FIX RING NTS 20P/26P CONNECTOR		
0 PLC ± 1 PLC ± 2 PLC ± 3 PLC ± 4 PLC ± ANGLES ± FINISH -		PRODUCT SPEC -	APPLICATION SPEC 114-32209		
MATERIAL PBT GF20		WEIGHT -	SIZE A3	CAGE CODE -	DRAWING NO C-2350943
CUSTOMER DRAWING			SCALE 2:1	SHEET 1 OF 1	REV B