

Customer Information Sheet

IF IN DOUBT - ASK

©

NOT TO SCALE

THIRD ANGLE PROJECTION

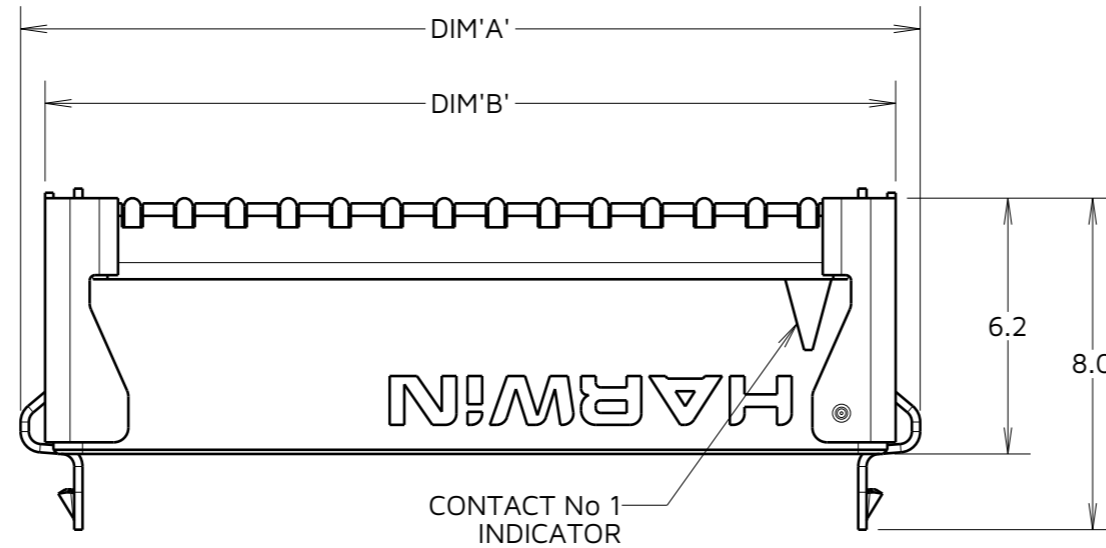
ALL DIMENSIONS IN mm

ORDER CODE:
G125-MHXXX05L1P

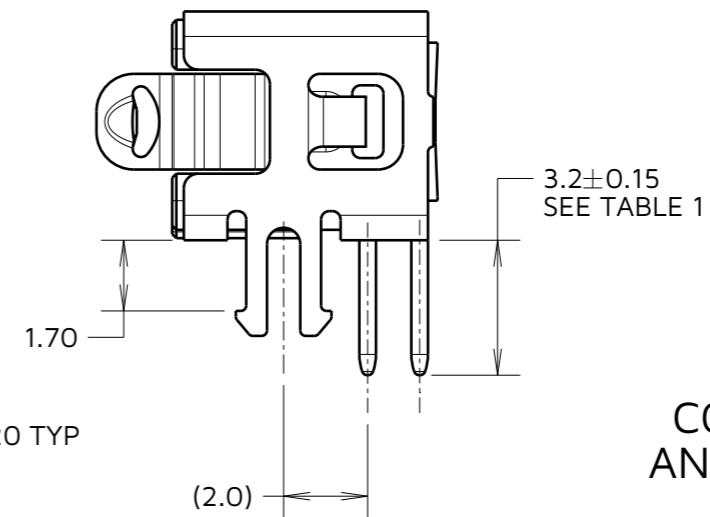
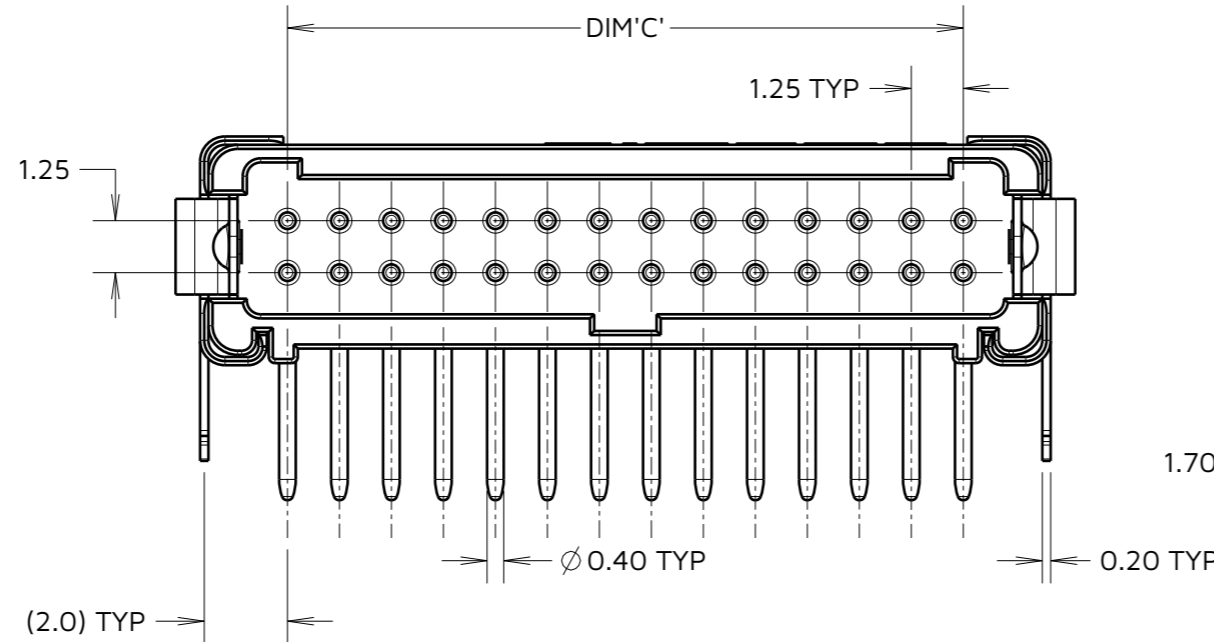
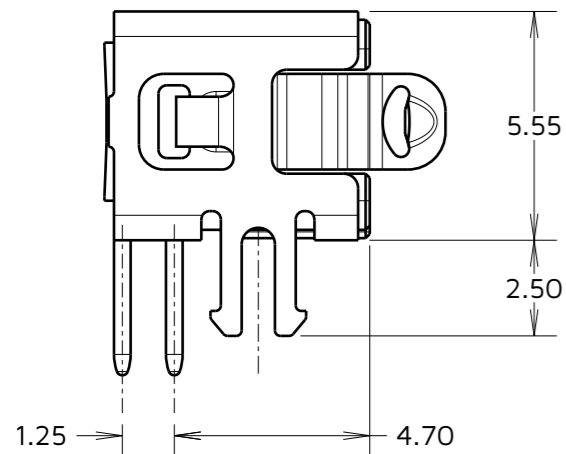
3.2mm PC-TAILS = H1
 4.7mm PC-TAILS = H2

TOTAL No. OF CONTACTS
 06, 10, 12, 16, 20,
 26, 34, 50.

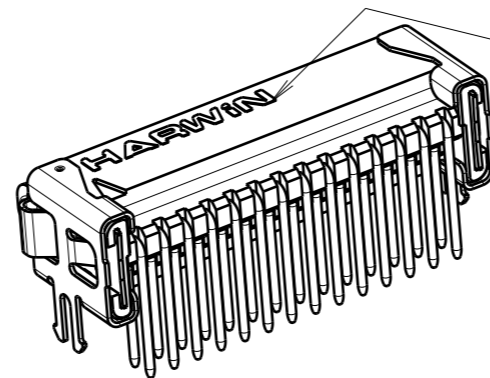
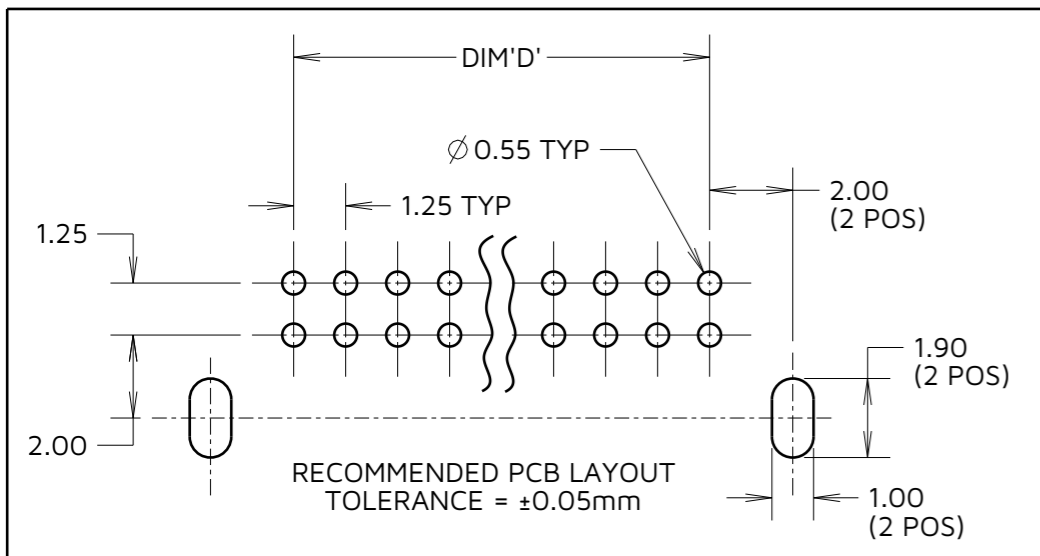
LATCHES:
 1.7mm PCB HOLD DOWN & LATCHES = L1



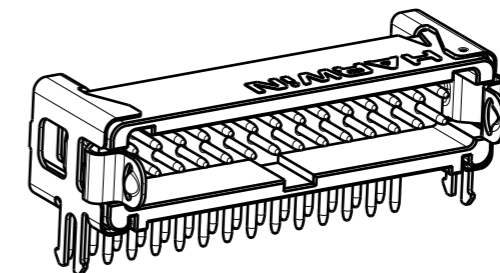
PART No.	DIM 'A'	DIM 'B'	DIM 'C'	DIM 'D'
G125-MHX0605L1P-00	8.05	6.80	2.50	2.50
G125-MHX1005L1P-00	10.55	9.30	5.00	5.00
G125-MHX1205L1P-00	11.80	10.55	6.25	6.25
G125-MHX1605L1P-00	14.30	13.05	8.75	8.75
G125-MHX2005L1P-00	16.80	15.55	11.25	11.25
G125-MHX2605L1P-00	20.55	19.30	15.00	15.00
G125-MHX3405L1P-00	25.55	24.30	20.00	20.00
G125-MHX5005L1P-00	35.55	34.30	30.00	30.00



CONNECTOR DETAILS
 AND PCB LAYOUT ONLY.
 SEE SHEET 6 FOR
 TAPE AND STRIP DETAILS.



FULL LOGO ON 20 TO 50 WAY.
 'H' ON 6 & 10 WAY.
 'HWN' ON 12 & 16 WAY.



NOTES:
 1. FOR COMPLETE SPECIFICATION, SEE COMPONENT SPECIFICATION C125XX (LATEST ISSUE).

HARWIN

www.harwin.com

TOLERANCES
 X. = ±1mm
 X.X = ±0.50mm
 X.XX = ±0.20mm
 X.XXX = ±0.01mm
 ANGLES = ±5°
 UNLESS STATED

THIS DRAWING AND ANY INFORMATION OR DESCRIPTIVE MATTER SET OUT HEREON ARE CONFIDENTIAL AND COPYRIGHT PROPERTY OF THE HARWIN GROUP AND MUST NOT BE DISCLOSED, LOANED, COPIED OR USED FOR MANUFACTURING, TENDERING OR FOR ANY OTHER PURPOSE WITHOUT THEIR WRITTEN PERMISSION.

MATERIAL & FINISH:
 SEE NOTE 1

TITLE: **GECKO LATCH MALE HORIZONTAL PC TAIL CONNECTOR ASSEMBLY**

DRAWING NUMBER:
G125-MHXXX05L1P

MJ	7	16.10.24	34985
NAME	ISS.	DATE	CN/CO
APPROVED:		M. JELLEY	
CHECKED:		A. YEOMANS	
DRAWN:		MARK G PLESTED	

SHT
 5 OF 6

Customer Information Sheet

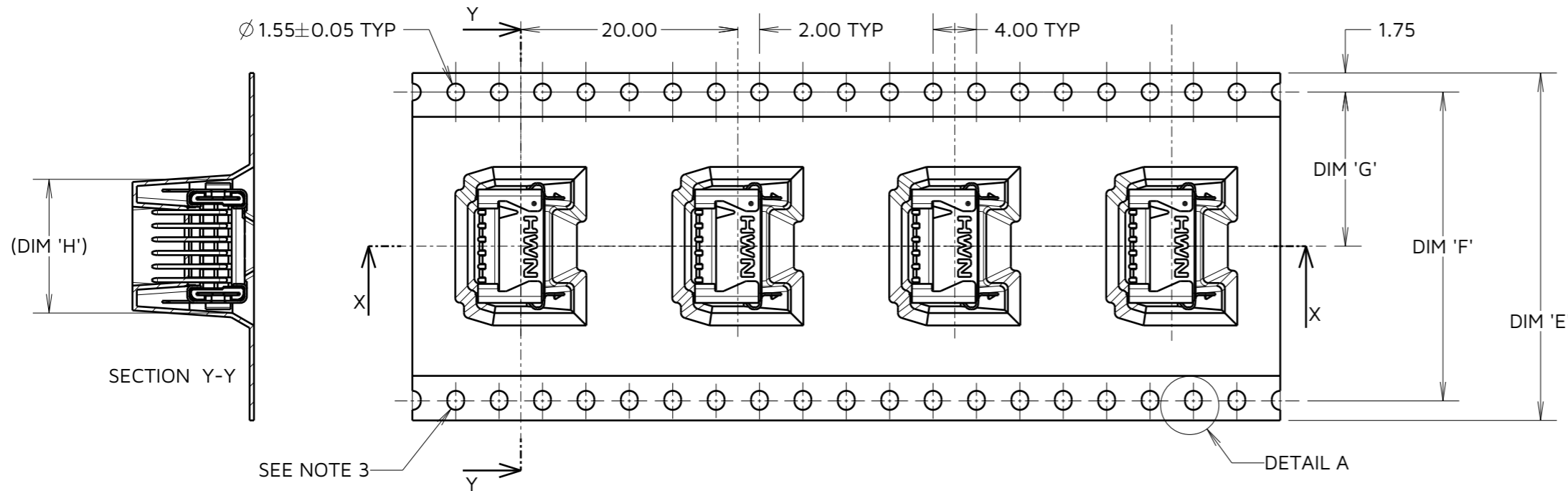
IF IN DOUBT - ASK

©

NOT TO SCALE

THIRD ANGLE PROJECTION

ALL DIMENSIONS IN mm



ORDER CODE:
G125-MHXXX05L1P
 3.2mm PC-TAILS = H1
 4.7mm PC-TAILS = H2
 TOTAL No. OF CONTACTS
 06, 10, 12, 16, 20,
 26, 34, 50.
 LATCHES:
 1.7mm PCB HOLD DOWN & LATCHES = L1

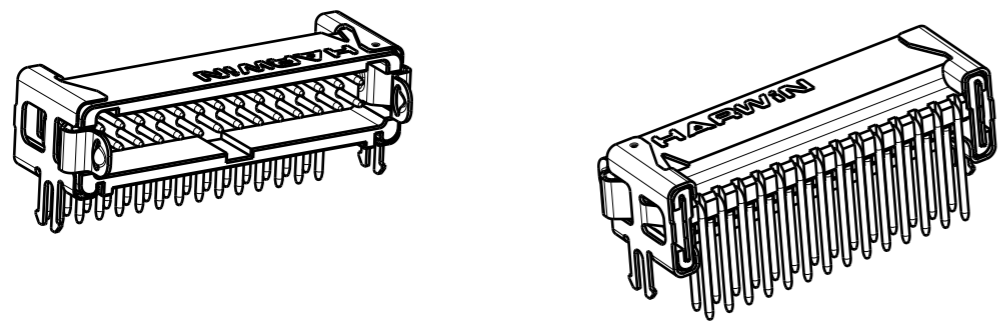
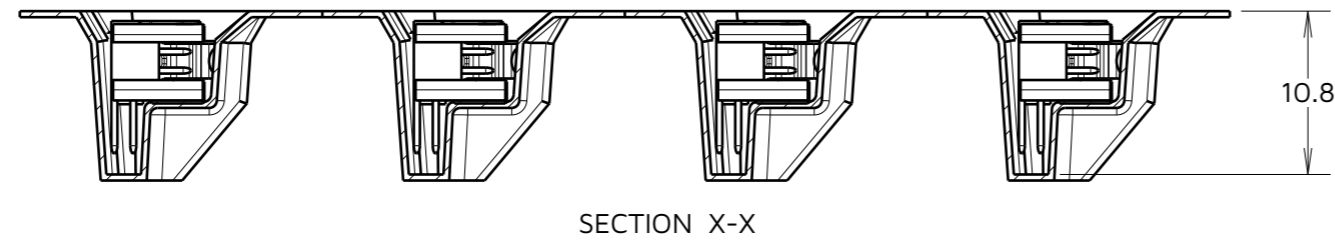
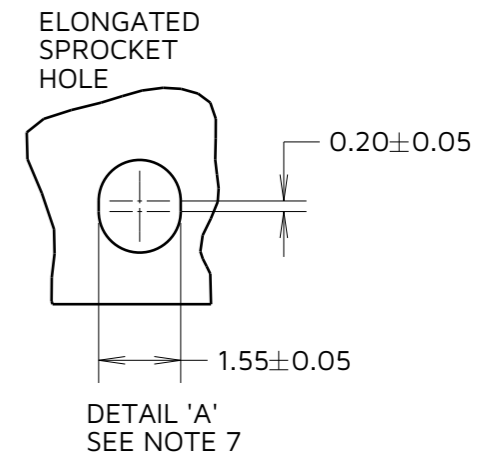


TABLE 2: DIMENSION VARIANTS

PART No.	DIM 'E'	DIM 'F'	DIM 'G'	DIM 'H'
G125-MHX0605L1P	24.0 +0.3/-0.1	NO ELONGATED HOLE	11.50	8.5
G125-MHX1005L1P				11.0
G125-MHX1205L1P	32.0±0.3	28.40	14.20	12.2
G125-MHX1605L1P				14.7
G125-MHX2005L1P	44.0±0.3	40.40	20.2±0.15	17.2
G125-MHX2605L1P				21.0
G125-MHX3405L1P				26.0
G125-MHX5005L1P	56.0±0.3	52.40	26.2±0.15	36.0

- NOTES:
 2. COMPONENTS ARE ORIENTED IN TAPE POCKETS AS SHOWN.
 3. COMPONENTS ARE SUPPLIED IN STRIPS OF 10.
 4. LARGE QUANTITIES MAY BE SHIPPED ON A REEL AND MAY NOT HAVE A LEADER.
 5. FOR PARTS ON A REEL SUITABLE FOR AUTOMATIC MACHINE PLACEMENT PLEASE ORDER: G125-MHXXX05L1R.
 6. FOR COMPLETE SPECIFICATION, SEE COMPONENT SPECIFICATION C125XX (LATEST ISSUE).
 7. ELONGATED SPROCKET HOLE NOT PRESENT ON 06 & 10 POSITIONS.
 8. SEE SHEET 5 FOR CONNECTOR DETAILS.

MJ	7	16.10.24	34985
NAME	ISS.	DATE	CN/CO
APPROVED:		M. JELLEY	
CHECKED:		A. YEOMANS	
DRAWN:		MARK G PLESTED	



www.harwin.com

TOLERANCES
 X. = ±1mm
 X.X = ±0.50mm
 X.XX = ±0.20mm
 X.XXX = ±0.01mm
 ANGLES = ±5°
 UNLESS STATED

THIS DRAWING AND ANY INFORMATION OR DESCRIPTIVE MATTER SET OUT HEREON ARE CONFIDENTIAL AND COPYRIGHT PROPERTY OF THE HARWIN GROUP AND MUST NOT BE DISCLOSED, LOANED, COPIED OR USED FOR MANUFACTURING, TENDERING OR FOR ANY OTHER PURPOSE WITHOUT THEIR WRITTEN PERMISSION.

MATERIAL & FINISH:
 SEE SHEET 5

TITLE: **GECKO LATCH MALE HORIZONTAL PC TAIL CONNECTOR ASSEMBLY**

DRAWING NUMBER:
G125-MHXXX05L1P