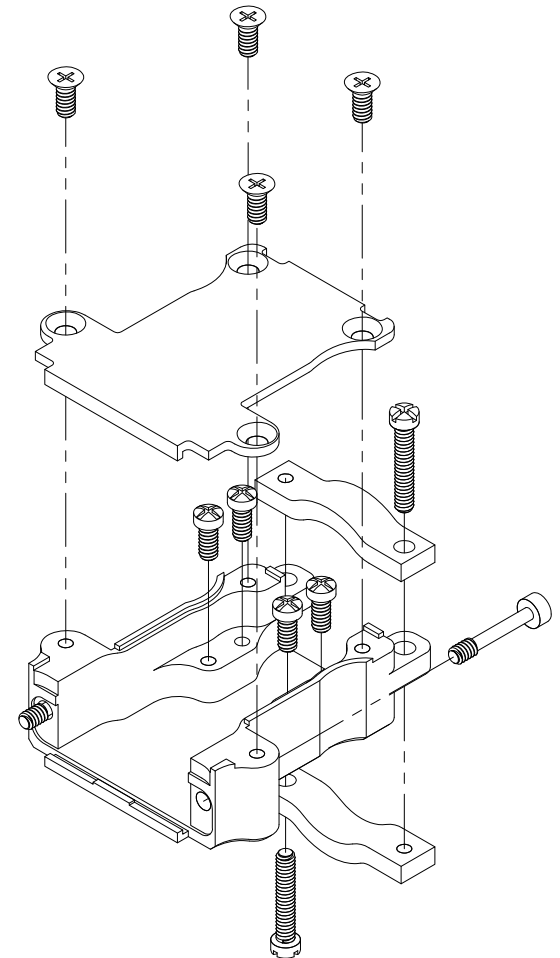
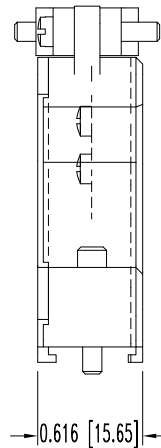
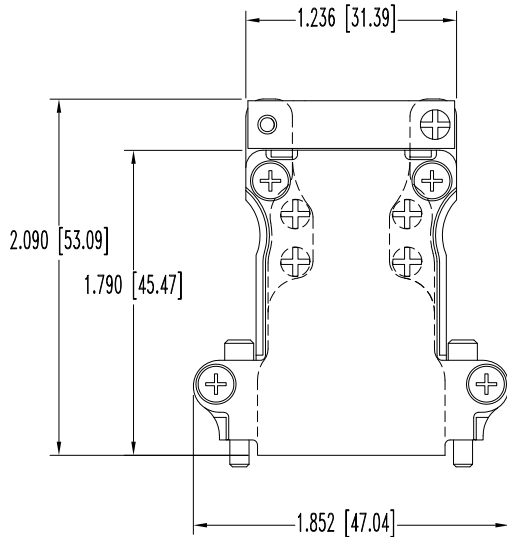
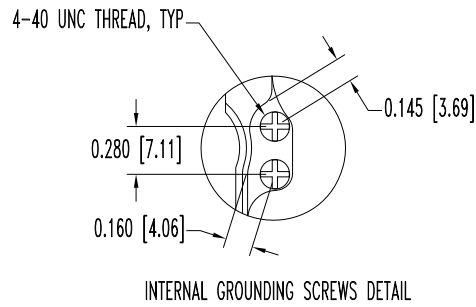
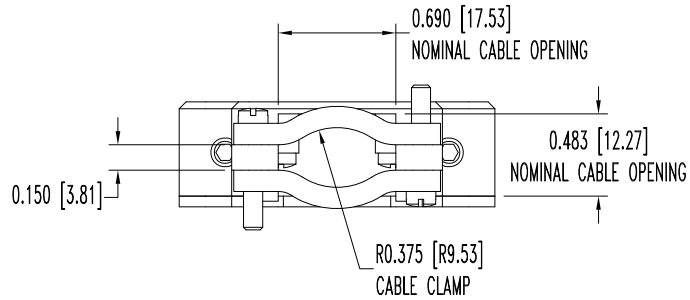


THIS DRAWING CONTAINS INFORMATION PROPRIETARY TO POSITRONIC AND ITS SUBSIDIARIES. POSITRONIC BELIEVES THE DATA ON THIS DRAWING TO BE RELIABLE, SINCE THE TECHNICAL INFORMATION IS GIVEN FREE OF CHARGE. THE USER EMPLOYS SUCH INFORMATION AT HIS OWN DISCRETION AND RISK. POSITRONIC ASSUMES NO RESPONSIBILITY FOR RESULTS OBTAINED OR DAMAGES INCURRED FROM USE OF SUCH INFORMATION IN WHOLE OR IN PART.

DATE	REV	REVISION RECORD	APP	DR	CK
2-2-09	NC	ECO 30614	RCW	SDY	SDY



EXPLODED VIEW

NOTES:

- MATERIAL AND FINISHES:
HOOD, COVER AND CABLE CLAMPS: ALUMINUM, ELECTROLESS NICKEL FINISH.
SCREWS: STEEL, NICKEL FINISH.
- DIMENSIONS ARE IN INCHES [MILLIMETERS].

	POSITRONIC INDUSTRIES INC. www.connectpositronic.com		FSCM 28198
	SCALE: N.T.S.	DRAWN BY: S.YOUNGKIN APPROVED BY: R.WILLIAMS	
DECIMAL TOL. ± 0.015 [0.38]	TITLE: D SERIES D15000ANE0		
ANGULAR TOL. ± 5°	DATE: 2-2-09	DRAWING NUMBER: SK10263	REV.: NC