



Quality Products. Service Excellence.

65 CFM Filterfans *PF GEN4 Series*

Type 12



Features

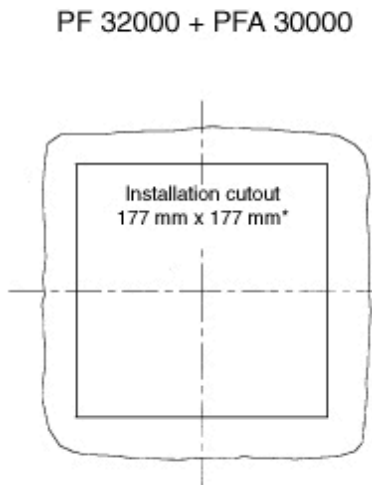
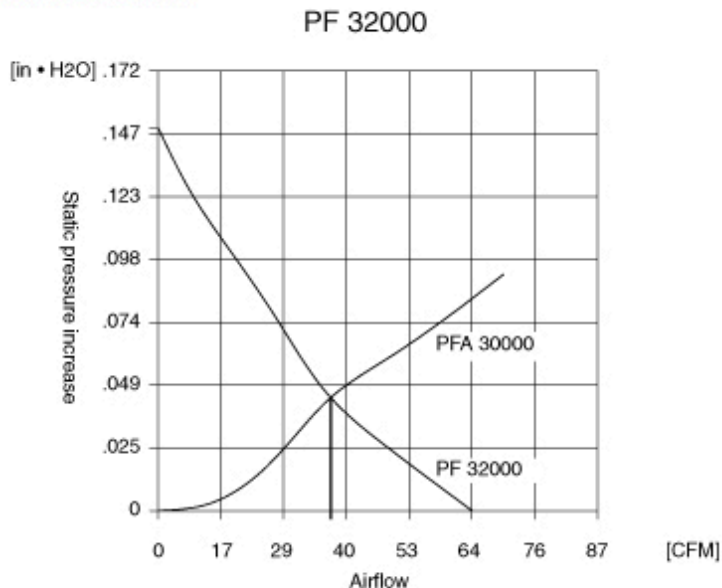
- Maintains a UL Tested NEMA Type 12 seal against enclosure
- UL Recognized to UL 508, category NITW2/8, UL File #E175229
- Patented "Click & Fit" design provides a hardware-free installation
- Plastic made from strong, heat resistant (ABS-FR), UL 94 V0 fire approved material
- Fan Motor is CSA Approved

Accessories

- Exhaust Filters
- Filterfan Rainhoods - 4/4X
- Thermostats
- Replacement Filters
- Filterfan Rainhoods - 3R



Airflow data:

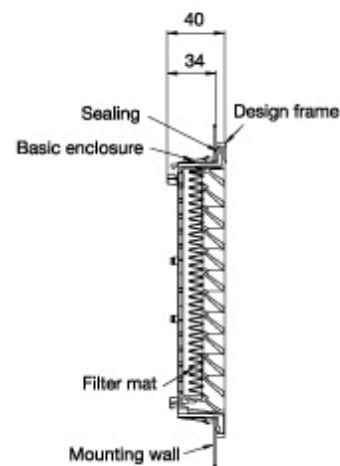
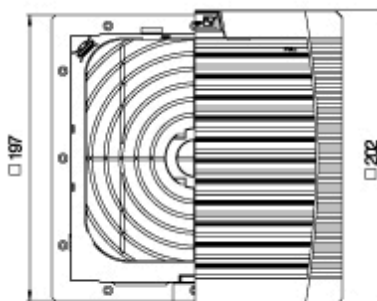
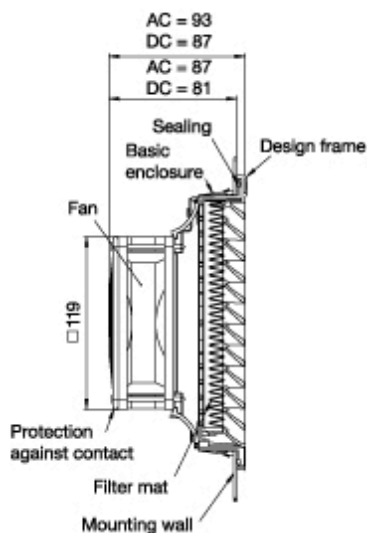


Mechanical data:

PF 32000

PF 32000 + PFA 30000

PFA 30000



Part No.	Part No	Exhaust Filter			
				RAL7035	RAL9011
Light Gray	Black	Voltage	Power	Light Gray	Black
PF32000T12LG	PF32000T12BK	115V AC	20W	PFA30000LG	PFA30000BK
PF32000T12LG230	PF32000T12BK230	230V AC	18W	PFA30000LG	PFA30000BK
PF32000T12LG24	PF32000T12BK24	24V DC	5W	PFA30000LG	PFA30000BK

Airflow data	PF 32000	PFA 30000
Filter material	Type 12 filter mat	Type 12 filter mat
Unimpeded airflow	65 CFM	-
Capacity free-flow	37 W/K	-
Airflow in combination (Filterfan + Exhaust Filter)	38 CFM (PF 32000 + PFA 30000)	-
Capacity in combination (Filterfan + Exhaust Filter)	21 W/K (PF 32000 + PFA 30000)	-
Max. static pressure (Airflow = 0 m3/h)	61 Pa	-
Filtration efficiency	0.91	-
Filter material grade	G 4 (DIN EN 779)	G 4 (DIN EN 779)

Airflow data	PF 32000	PFA 30000
Duty cycle	1	-

Technical data	PF 32000	PF 32000	PFA 30000
	AC	DC	
Outside dimensions in mm (height x width x installation depth)	202 x 202 x 87	202 x 202 x 81	202 x 202 x 34
Bearing type	sleeve bearings	ball bearings	-
Fitting position	vertical	any	any
Construction	housing and guard of sprayed thermoplastic, self-extinguishing, UL 94 VO		
Weight	0.87 kg	0.61 kg	0.26 kg
Safety protection	in accordance with DIN 31 001		
Color LG	RAL 7035, Light Grey		
Color BK	RAL9011 Black		
Connections	terminal strip	2 wires, 310mm long	-
Noise Level (EN ISO 3741)	40 dB (A)		

Supplementary data	PF 32000 AC	PF 32000 DC	PFA 30000
Operating temperature	- 15 °C (- 5 °F) to / bis + 55 °C (+ 131 °F)		
Storage temperature	- 20 °C (- 4 °F) to / bis + 70 °C (+ 158 °F)		
Max. relative humidity	0.9		
System of protection	NEMA Type 12, IP 55 (EN 60 529), when installed as specified		
Basic Accessories	parts kit filter mat, user manual radiant heater, fan heater, thermostat, hygostat		
Approvals	UL Recognized		
* Tolerance installation cutout	177 + 1/-0 thickness of material to 2 mm		
	178 + 1/-0 thickness of material > 2 mm < 3 mm		

Tags: **Type 12, filterfan, fan, grill, 65 CFM, airflow, filtration, filter**

Data subject to change without notice

© 2026. Hammond Manufacturing Ltd. All rights reserved.