

# ACCESSORIES



**POSITRONIC**<sup>®</sup>  
GLOBAL *Connector* SOLUTIONS



LOOK FOR OUR  
NEW PRODUCTS!



Catalog C-007 Rev. E1

[www.connectpositronic.com](http://www.connectpositronic.com)

# Connector Excellence<sup>®</sup>

## Positronic Provides Complete Capability

### Mission Statement

*"To utilize product flexibility and application assistance to present quality interconnect solutions which represent value to customers worldwide."*

### Experience

- Founded in **1966**
- **Involvement** in the development of international connector specifications through EIA<sup>®</sup>, IEC and ISO as well as PICMG<sup>®</sup> and VITA.
- Introduction of new and **unique connector products** to the electronics industry.
- Patent holder for many **unique connector features and manufacturing techniques**.
- **Vertically integrated** manufacturing – raw materials to finished connectors.

### Technology

- **Expertise** with solid machined contacts provides a variety of high reliability connectors including high current density power connectors.
- Quality Assurance lab is **capable of testing** to IEC, EIA, UL, CUL, military and customer-specified requirements.
- **In-house design and development** of connectors based on market need or individual customer requirements.
- **Internal manufacturing capabilities** include automatic precision contact machining, injection molding, stamping, plating operations and connector assembly.
- **Manufacturing locations** in southwest Missouri, U.S.A. (headquarters); Puerto Rico, France, China, Singapore, and India. Total square footage: 407,441.

### Support

- **Quality Systems:** Select locations qualified to ISO 9001, ISO 14001, AS9100, MIL-STD-790 and customer "dock to stock" programs. Applicable products qualified to MIL-DTL-24308, SAE AS39029, DSCC 85039, MIL-DTL-28748, Space D32, GSFC S-311-P-4 and GSFC S-311-P-10.
- Compliance to a variety of international and customer specific **environmental requirements**.
- Large **in-house inventory** of finished connectors. Customer specific **stocking programs**.
- Factory direct **technical sales support** in major cities worldwide.
- **One-on-one customer support** from worldwide factory locations.
- World class **web site**.
- **Value-added solutions** and willingness to **develop custom products** with reasonable price and delivery.



### Regional Headquarters

Springfield, MO



Auch, France



Singapore



Products described within this catalog may be protected by one or more of the following US patents:

#4,900,261 #5,255,580 #5,329,697  
#6,260,268 #6,835,079 #7,115,002

Patented in Canada, 1992 Other Patents Pending

Positronic Industries' **FEDERAL SUPPLY CODE** (Cage Code)  
FOR MANUFACTURERS is **28198**

Unless otherwise specified, **dimensional tolerances** are:

- 1)  $\pm 0.001$  inches [0.03 mm] for male contact mating diameters.
- 2)  $\pm 0.003$  inches [0.08 mm] for contact termination diameters.
- 3)  $\pm 0.005$  inches [0.13 mm] for all other diameters.
- 4)  $\pm 0.015$  inches [0.38 mm] for all other dimensions.

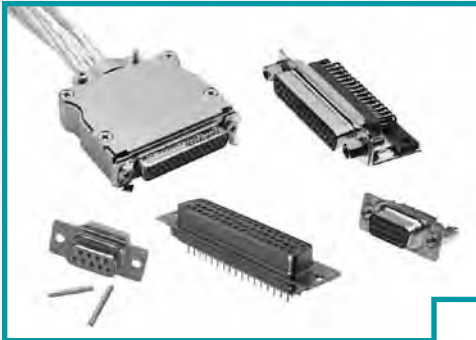
POSITRONIC<sup>®</sup> IS AN ITAR REGISTERED COM-

Information in this catalog is proprietary to Positronic and its subsidiaries. Positronic believes the data contained herein to be reliable. Since the technical information is given free of charge, the user employs such information at his own discretion and risk. Positronic Industries assumes no responsibility for results obtained or damages incurred from use of such information in whole or in part.

Positronic<sup>®</sup>, Positronic Industries, Inc.<sup>®</sup>, P+ logo, Positronic Global Connector Solutions<sup>®</sup>, Connector Excellence<sup>®</sup> and their logo designs are registered trademarks of Positronic Industries, Inc.

***This catalog should be accompanied by copies of Positronic's  
High Reliability D-subminiature Connector Catalogs.  
Contact Technical Sales, your District Manager or visit  
[www.connectpositronic.com](http://www.connectpositronic.com) for copies of these catalogs as follows:***

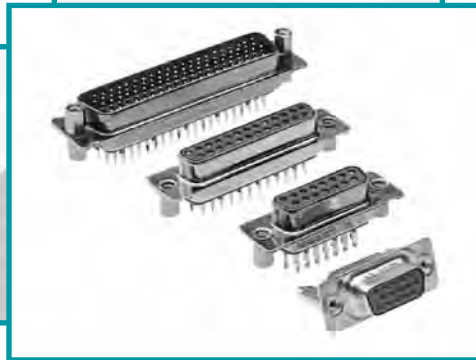
STANDARD AND HIGH DENSITY  
D-SUBMINIATURE CONNECTORS



CONNECTOR SAVERS  
GENDER CHANGERS



PRESS-IN CONNECTORS



DUAL-PORT  
STACKED CONNECTORS



ENVIRONMENTAL  
D-SUBMINIATURE  
CONNECTORS



STANDARD AND HIGH  
DENSITY COMBO-D  
CONNECTORS



HIGH PERFORMANCE  
D-SUBMINIATURE CONNECTORS,  
INCLUDING SPACEFLIGHT



**Contact Technical  
Sales for details.**

**TERMINATION TYPES:**

Signal, Power, High Voltage, Shielded, and Thermocouple

**MULTIPLE PERFORMANCE LEVELS FOR BEST COST/PERFORMANCE RATIO**

**DIMENSIONS ARE IN INCHES [MILLIMETERS].  
ALL DIMENSIONS ARE SUBJECT TO CHANGE.**



Positronic Industries  
connectpositronic.com

# TABLE OF CONTENTS

D-Sub  
Accessories

## MOUNTING BRACKETS

RIVETED ON RIGHT ANGLE (90°) MOUNTING BRACKETS.....	1
PUSH-ON FASTENER FOR RIVETED ON RIGHT ANGLE (90°) MOUNTING BRACKETS .....	1
RAPID INSTALLATION INTO PRINTED CIRCUIT BOARD	
RIGHT ANGLE (90°) METAL MOUNTING BRACKET .....	2
SUPPLIED WITH RIVETED-ON BRACKET ASSEMBLIES	
RIGHT ANGLE (90°) METAL MOUNTING BRACKET.....	2
SECURED TO CONNECTOR WITH THREADED FASTENERS	
RIGHT ANGLE (90°) PLASTIC MOUNTING BRACKET.....	3
SECURED TO CONNECTOR WITH THREADED FASTENERS	
RIGHT ANGLE (90°) PLASTIC MOUNTING BRACKET WITH THREADED INSERT .....	3
SECURED TO CONNECTOR WITH THREADED FASTENERS	
RIGHT ANGLE (90°) PLASTIC MOUNTING BRACKET WITH ALIGNMENT BAR.....	3
SUPPLIED WITH STANDARD DENSITY MIL-DTL-24308/23 AND /24 CONNECTORS	

## POSTS AND SPACERS

SWAGED SPACER.....	4
SWAGED SPACERS .....	4
SWAGED LOCKNUT .....	4
SWAGED SPACER WITH PUSH-ON FASTENER.....	4
RAPID INSTALLATION INTO PRINTED CIRCUIT BOARD	
THREADED POST .....	5

## PANEL / BULKHEAD MOUNTING OPTIONS

MOUNTING OPTIONS .....	6
PANEL CUTOUTS .....	7-8

## FERRITE INDUCTOR

FERRITE INDUCTOR BAR FOR EMI/RFI NOISE SUPPRESSION .....	9
--	---

## CABLE ADAPTERS (HOODS/BACKSHELLS)

TYPICAL JACKSCREW LOCKING / CODING OPTIONS .....	11
TYPICAL QUICK DISCONNECT LOCKING DEVICE OPTIONS.....	12
LIGHTWEIGHT ALUMINUM CABLE ADAPTER (HOOD) .....	13
GENERAL INFORMATION	
LIGHTWEIGHT ALUMINUM CABLE ADAPTER (HOOD) .....	14
WITH FIXED FEMALE JACKSCREWS	





continued from previous page . . .

## CABLE ADAPTERS (HOODS/BACKSHELLS)...continued

LIGHTWEIGHT ALUMINUM CABLE ADAPTER (HOOD) WITH ROTATING JACKSCREWS	15
LIGHTWEIGHT ALUMINUM CABLE ADAPTER (HOOD) WITH QUICK DISCONNECT LOCKING DEVICE	16
EMI/RFI METAL CABLE ADAPTER (HOOD) WITH ROTATING JACKSCREWS	17
EMI/RFI METAL CABLE ADAPTER (HOOD) WITH QUICK DISCONNECT LOCKING DEVICE	18
EMI/RFI METAL CABLE ADAPTER (HOOD) WITH M3 THREADS	19
EMI/RFI ADAPTER	19
CRIMP FERRULE SYSTEMS FOR USE WITH CODE G CABLE ADAPTERS (HOODS)	20
METAL CABLE ADAPTER (HOOD)	21
PLASTIC CABLE ADAPTER (HOOD)	21
LOW PROFILE CABLE ADAPTER (HOOD)	22
PLASTIC CABLE ADAPTER (HOOD) WITH ROTATING JACKSCREWS	23
SIZE 50 PLASTIC CABLE ADAPTER (HOOD) WITH ROTATING JACKSCREWS	24
SIZE 104 COMPOSITE CABLE ADAPTER (HOOD) WITH ROTATING JACKSCREWS	24
EMI/RFI COMPOSITE CABLE ADAPTERS (HOODS) WITH JACKSCREWS	25

## LOCKING AND CODING SYSTEMS

JACKSCREW SYSTEMS	27
CODING DEVICE (KEYING) JACKSCREW SYSTEMS	27
QUICK DISCONNECT LOCKING DEVICE	28

## UNIQUE FEATURES

FLARED CONNECTOR HOUSING (SHELLS)	29
LOW PROFILE MOUNTING BRACKET	30
CAPTIVE ALIGNMENT BARS	30
PROTECTIVE COVER	31
INTERFACIAL SEAL	31
BLIND MATING SYSTEM	32
SWAGEABLE PLASTIC MOUNTING BRACKET WITH ALIGNMENT BAR	33
CUL-DE-SAC STYLE MOUNTING ACCESSORIES	33
CODING DEVICE (KEYING) OPTIONS	33

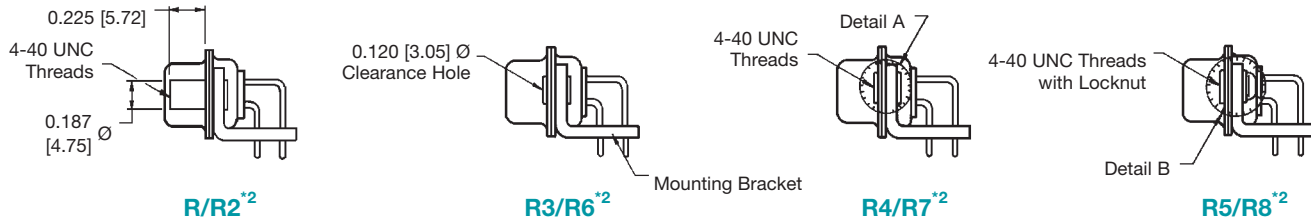


Positronic Industries  
connectpositronic.com

# MOUNTING BRACKETS

D-Sub  
Accessories

## RIVETED ON RIGHT ANGLE (90°) MOUNTING BRACKETS\*<sup>1</sup> CODE R, R2, R3, R4, R5, R6, R7 AND R8



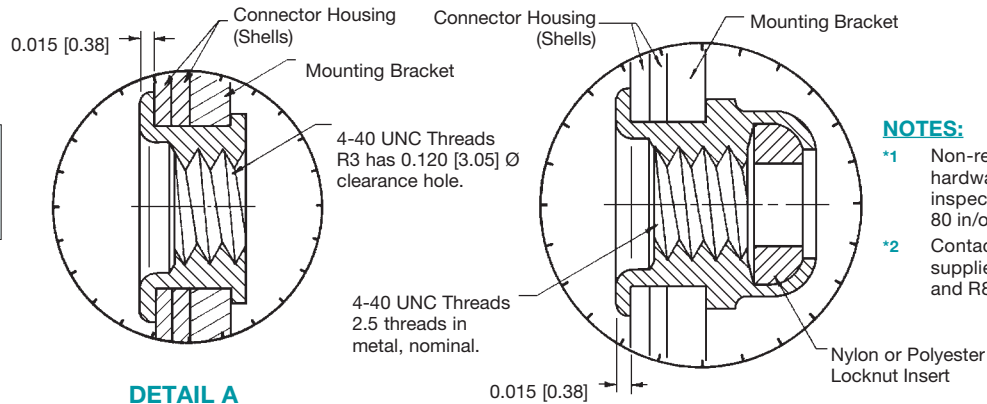
R/R2\*<sup>2</sup>

R3/R6\*<sup>2</sup>

R4/R7\*<sup>2</sup>

R5/R8\*<sup>2</sup>

For *dimensional information*, see chart on page 2



DETAIL A

DETAIL B

### NOTES:

- \*<sup>1</sup> Non-removable threaded hardware is built and inspected to 5 in/lbs or 80 in/oz torque.
- \*<sup>2</sup> Contact alignment bar is supplied with R2, R6, R7 and R8 options only.

**Material:** Copper alloy or steel with zinc plate and chromate seal or tin plate; stainless steel passivated.

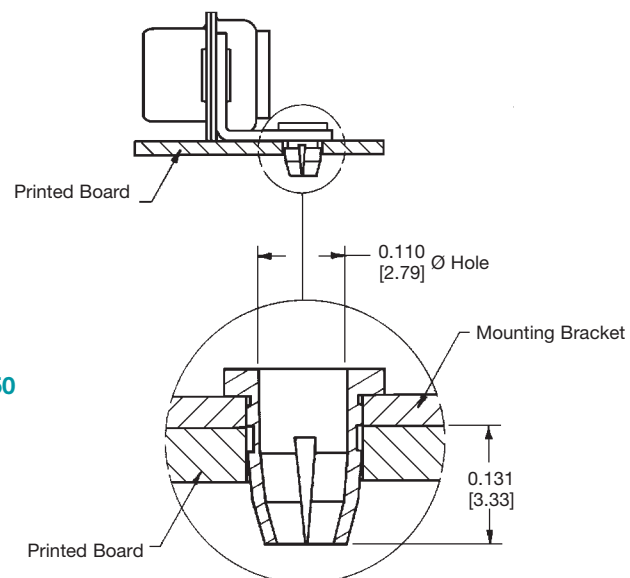
## PUSH-ON FASTENER FOR RIVETED ON RIGHT ANGLE (90°) MOUNTING BRACKETS RAPID INSTALLATION INTO PRINTED CIRCUIT BOARD CODE N



CBD27W2F57R7N00  
(shown left)

ODD15F4R7N0X  
(shown center)

HDC50S5R7N00-50  
(shown right)



Printed board mounting hole to be 0.123 [3.12]  $\pm 0.003$  for use with push-on fastener.

**Material:** Beryllium copper, tin plate.

### TYPICAL PERFORMANCE EVALUATION DATA

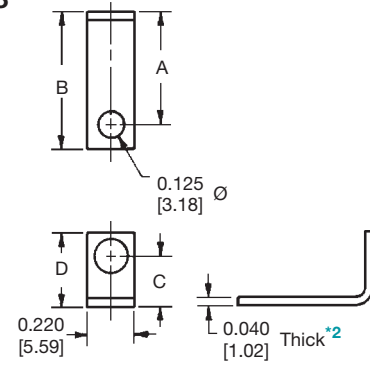
SAMPLE #	PRINTED BOARD HOLE $\varnothing$	INSERTION FORCE (LBS.)	RETENTION FORCE (LBS.)
1	0.120 [3.05]	7-1/4	5-3/4
2	0.123 [3.12]	5-3/4	5-1/2
3	0.125 [3.18]	2-3/4	2-1/2
4	0.128 [3.25]	1-3/4	2-1/4
5	0.126 [3.20] PLATED	1-3/4	2-1/4

**1** DIMENSIONS ARE IN INCHES [MILLIMETERS].  
ALL DIMENSIONS ARE SUBJECT TO CHANGE.



## RIGHT ANGLE (90°) METAL MOUNTING BRACKET SUPPLIED WITH RIVETED-ON BRACKET ASSEMBLIES CODE R, R2<sup>\*1</sup>, R3, R4, R5, R6<sup>\*1</sup>, R7<sup>\*1</sup>, AND R8<sup>\*1</sup>

PART NO.	A	B	C	D	SIZE	MD	MDX	ED	CBD	CBDD	HDC	DD	PCD	ODD
4535-1-1	0.506 [12.85]	0.623 [15.82]	0.246 [6.25]	0.358 [9.09]	9-37	4	4							
4535-2-1	0.339 [8.61]	0.456 [11.58]	0.246 [6.25]	0.358 [9.09]	9-37	5	5		5, 55, 57		5		5	
4535-3-1	0.395 [10.03]	0.512 [13.00]	0.303 [7.70]	0.414 [10.52]	29	5								
4535-4-1	0.562 [14.27]	0.679 [17.25]	0.303 [7.70]	0.414 [10.52]	50	5	5		5, 55, 57		5		5	
4535-5-1	0.601 [15.27]	0.718 [18.24]	0.246 [6.25]	0.358 [9.09]	9-37	59					59			
4535-6-1	0.657 [16.69]	0.774 [19.66]	0.303 [7.70]	0.414 [10.52]	29	59					59			
4535-8-1	0.420 [10.67]	0.537 [13.64]	0.246 [6.25]	0.358 [9.09]	9-37			42, 44, 52	7, 75, 77		42			
4535-9-1	0.470 [11.94]	0.587 [14.91]	0.303 [7.70]	0.414 [10.52]	29			42, 44, 52			42			
4535-32-1	0.414 [10.52]	0.531 [13.49]	0.246 [6.25]	0.358 [9.09]	15-62					4				4
4535-33-1	0.414 [10.52]	0.531 [13.49]	0.303 [7.70]	0.414 [10.52]	78					4				4
4535-34-1	0.528 [13.41]	0.645 [16.38]	0.246 [6.25]	0.358 [9.09]	15-62					5		4		5
4535-35-1	0.573 [14.55]	0.690 [17.53]	0.303 [7.70]	0.414 [10.52]	78					5		4		5
4535-61-1	0.514 [13.06]	0.631 [16.03]	0.334 [8.48]	0.457 [11.61]	104									4
4535-62-1	0.614 [15.60]	0.731 [18.57]	0.334 [8.48]	0.445 [11.30]	104					5		4		5



**Material:** Brass with zinc plate and chromate seal, or tin plate; stainless steel, passivated.



**NOTE:** Sold only as part of a connector assembly.

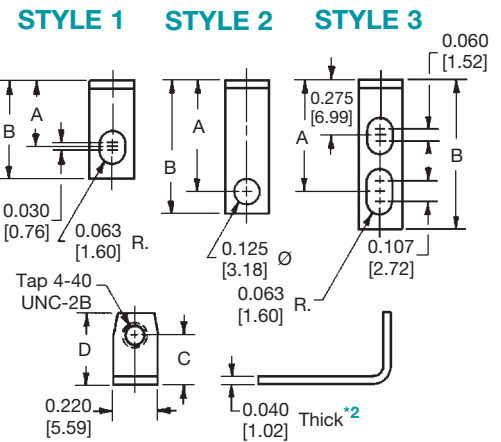
Any bracket shown can be supplied in non-standard configurations. Consult Technical Sales.

**NOTES:**

- \*1 Alignment bar is supplied with R2, R6, R7 and R8 options only.
- \*2 0.062 [1.57] thick for size 104 DD & ODD series and CBD46W4 variant.

## RIGHT ANGLE (90°) METAL MOUNTING BRACKET SECURED TO CONNECTOR WITH THREADED FASTENERS CODE B AND B3

PART NO.	STYLE	A	B	C	D	SIZE	MD	MDX	ED	CBD	CBDD	HDC	DD	ODD
4535-1-0	2	0.491 [12.47]	0.608 [15.44]	0.246 [6.25]	0.358 [9.09]	9-37	4	4						
4535-2-0	1	0.324 [8.23]	0.484 [12.29]	0.244 [6.20]	0.358 [9.09]	9-37	5	5		5, 55, 57		5		
4535-3-0	1	0.380 [9.65]	0.594 [15.09]	0.303 [7.70]	0.417 [10.59]	29	5	5						
4535-4-0	2	0.547 [13.89]	0.664 [16.87]	0.303 [7.70]	0.414 [10.52]	29	4							
4535-5-0	3	0.554 [14.07]	0.739 [18.77]	0.244 [6.20]	0.358 [9.09]	9-37	59						4	5
4535-6-0	3	0.604 [15.34]	0.800 [20.32]	0.303 [7.70]	0.417 [10.59]	29, 50	59						4	5
4535-8-0	2	0.405 [10.29]	0.522 [13.26]	0.246 [6.25]	0.358 [9.09]	9-37			42, 44, 52	7, 75, 77		42		
4535-9-0	2	0.455 [11.56]	0.572 [14.53]	0.303 [7.70]	0.414 [10.52]	29			42, 44, 52	7, 75, 77		42		
4535-32-0	2	0.399 [10.13]	0.516 [13.11]	0.246 [6.25]	0.358 [9.09]	15-62					4			4
4535-33-0	2	0.399 [10.13]	0.516 [13.11]	0.303 [7.70]	0.414 [10.52]	78					4			4
4535-61-0	2	0.514 [13.06]	0.631 [16.03]	0.334 [8.48]	0.457 [11.61]	104								4
4535-62-0	2	0.614 [15.60]	0.731 [18.57]	0.334 [8.48]	0.445 [11.30]	104							4	5



**Material:** Brass with zinc plate and chromate seal, or tin plate; stainless steel, passivated.

**NOTES:**

- \*1 Contact alignment bar is supplied with B3 option only.
- \*2 0.062 [1.57] thick for size 104 DD & ODD series and CBD46W4 variant.

**DIMENSIONS ARE IN INCHES [MILLIMETERS]. ALL DIMENSIONS ARE SUBJECT TO CHANGE.**



Positronic Industries  
connectpositronic.com

# MOUNTING BRACKETS

D-Sub  
Accessories

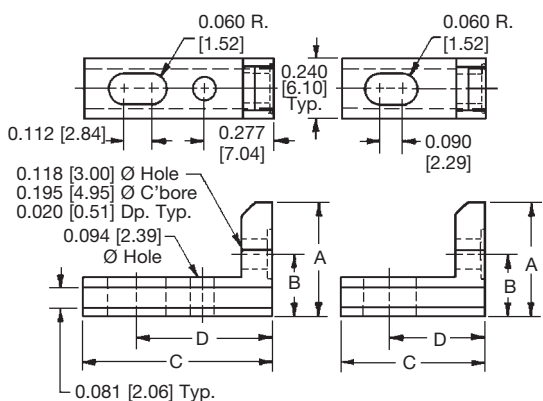
## RIGHT ANGLE (90°) PLASTIC MOUNTING BRACKET SECURED TO CONNECTOR WITH THREADED FASTENERS CODE B7 AND B8<sup>\*1</sup>

**NOTE:**

<sup>\*1</sup> Alignment bar supplied with B8 option.

STYLE 1

STYLE 2



Material: Nylon or polyester.

PART NO.	STYLE	A	B	C	D	SIZE	MD	MDX	ED	CBD	CBDD	HDC	DD	ODD
4544-6-0	1	0.450 [11.43]	0.244 [6.20]	0.740 [18.80]	0.544 [13.82]	9 - 37 15 - 62	4, 59	4					4	5
4544-7-0		0.565 [14.35]	0.303 [7.70]	0.790 [20.07]	0.606 [15.39]	29 50 78	4, 59	4					4	5
4544-8-0		0.450 [11.43]	0.244 [6.20]	0.580 [14.73]	0.384 [9.75]	9 - 37	5	5	42, 52	5, 55, 57, 7, 75, 77	4	42, 5		4
4544-9-0	2	0.565 [14.35]	0.303 [7.70]	0.620 [15.75]	0.440 [11.18]	29 50	5	5	42, 52	5, 55, 57, 7, 75, 77	4	42, 5		4

NOTE: Sold only as part of a connector assembly.  
Any bracket shown can be supplied in non-standard configurations. Consult Technical Sales.

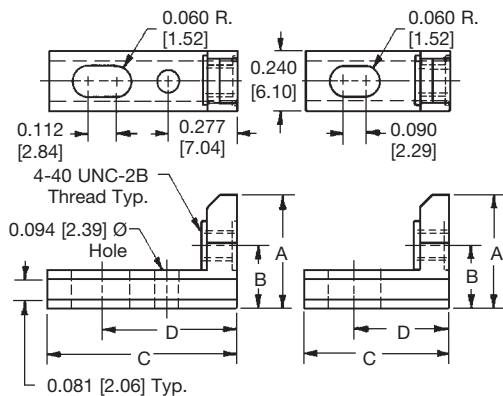
## RIGHT ANGLE (90°) PLASTIC MOUNTING BRACKET WITH THREADED INSERT SECURED TO CONNECTOR WITH THREADED FASTENERS CODE B9 AND B10<sup>\*1</sup>

**NOTE:**

<sup>\*1</sup> Alignment bar supplied with B10 option.

STYLE 1

STYLE 2



Material: Nylon or polyester.

PART NO.	STYLE	A	B	C	D	SIZE	MD	MDX	ED	CBD	CBDD	HDC	DD	ODD
4544-6-1	1	0.450 [11.43]	0.244 [6.20]	0.740 [18.80]	0.544 [13.82]	9 - 37 15 - 62	4, 59	4					4	5
4544-7-1		0.565 [14.35]	0.303 [7.70]	0.790 [20.07]	0.606 [15.39]	29 50 78	4, 59	4					4	5
4544-8-1		0.450 [11.43]	0.244 [6.20]	0.580 [14.73]	0.384 [9.75]	9 - 37	5	5	42, 52	5, 55, 57, 7, 75, 77	4	42, 5		4
4544-9-1	2	0.565 [14.35]	0.303 [7.70]	0.620 [15.75]	0.440 [11.18]	29 50	5	5	42, 52	5, 55, 57, 7, 75, 77	4	42, 52		4

NOTE: Sold only as part of a connector assembly.  
Any bracket shown can be supplied in non-standard configurations. Consult Technical Sales.

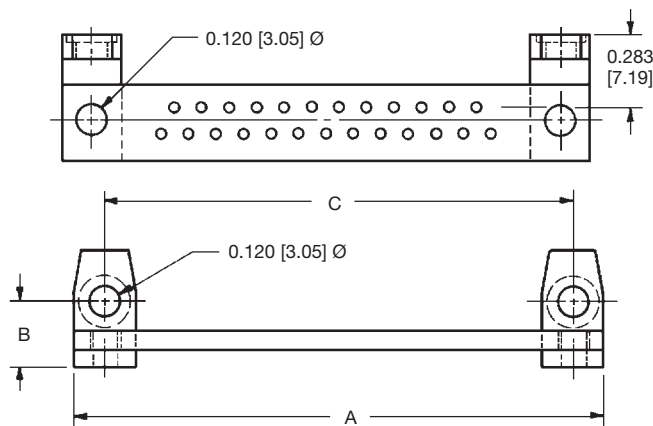
## RIGHT ANGLE (90°) PLASTIC MOUNTING BRACKET WITH ALIGNMENT BAR SUPPLIED WITH STANDARD DENSITY MIL-DTL-24308/23 AND /24 CONNECTORS

PART NO.	A	B	C
4544-11-1	1.218 [30.94]	0.247 [6.27]	0.980 [24.89]
4544-11-2	1.546 [39.27]	0.247 [6.27]	1.312 [33.32]
4544-11-3	2.093 [53.16]	0.247 [6.27]	1.852 [47.04]
4544-11-4	2.734 [69.44]	0.247 [6.27]	2.500 [63.50]
4544-12-4	2.645 [67.18]	0.303 [7.70]	2.406 [61.11]

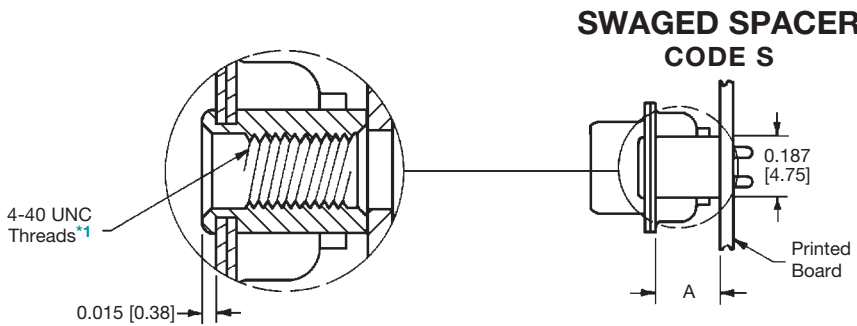
NOTE: Sold only as part of a connector assembly.

Material: Nylon or polyester.

May be supplied on special order with the MD, MDX and HDC printed board mount connectors.



3 DIMENSIONS ARE IN INCHES [MILLIMETERS].  
ALL DIMENSIONS ARE SUBJECT TO CHANGE.



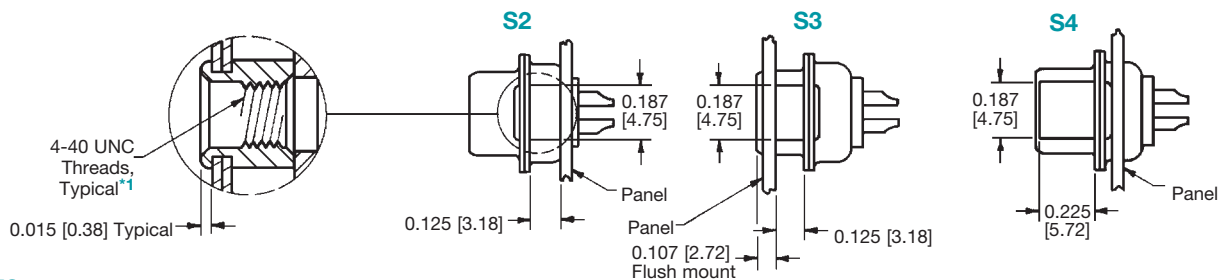
CONNECTOR SERIES	TERMINATION CODE NUMBER	A
MD, MDX, ED, HDC	all	0.225 [5.72]
	0, 1	0.375 [9.53]
ODD	2, 21, 3, 32, 4, 5	0.225 [5.72]
	all	0.375 [9.53]
RD, ORD, DD, CBC, CBCD, PCD, PCDD	all	0.375 [9.53]
SD	all	0.437 [11.10]
CBD, CBDD, CBM	solder cup & solder board mount	0.250 [6.53]
	press-in	0.265 [6.73]
PCD, PCDD	98	0.375 [9.53]

**NOTES:**

\*1 Non-removable threaded hardware is built and inspected to 5in/lbs or 80 in/oz torque.

**Material:** Copper alloy or steel with zinc plate and chromate seal or tin plate; stainless steel passivated.

## SWAGED SPACERS CODE S2, S3, AND S4

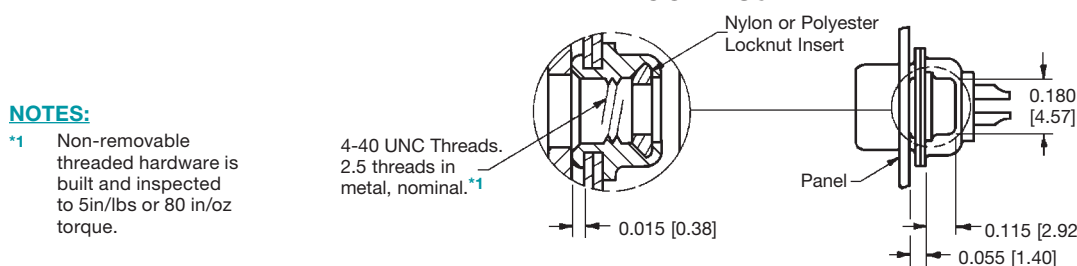


**NOTES:**

\*1 Non-removable threaded hardware is built and inspected to 5in/lbs or 80 in/oz torque.

**Material:** Copper alloy or steel with zinc plate and chromate seal or tin plate; stainless steel passivated.

## SWAGED LOCKNUT CODE S5

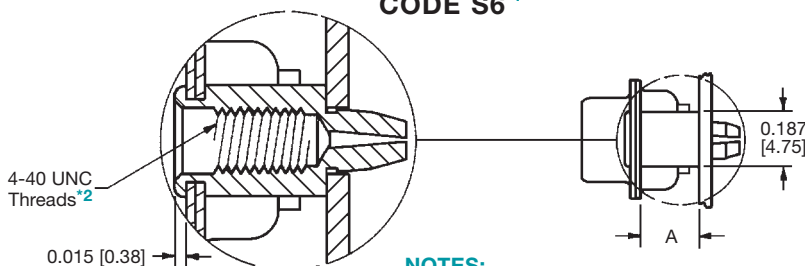


**NOTES:**

\*1 Non-removable threaded hardware is built and inspected to 5in/lbs or 80 in/oz torque.

**Material:** Copper alloy or steel with zinc plate and chromate seal or tin plate; stainless steel, passivated. Nylon or polyester locknut insert.

## SWAGED SPACER WITH PUSH-ON FASTENER RAPID INSTALLATION INTO PRINTED CIRCUIT BOARD CODE S6\*1



**NOTES:**

\*1 Printed board mounting hole to be 0.123 [3.12]  $\pm 0.003$  for use with push-on fastener.

\*2 Non-removable threaded hardware is built and inspected to 5in/lbs or 80 in/oz torque.

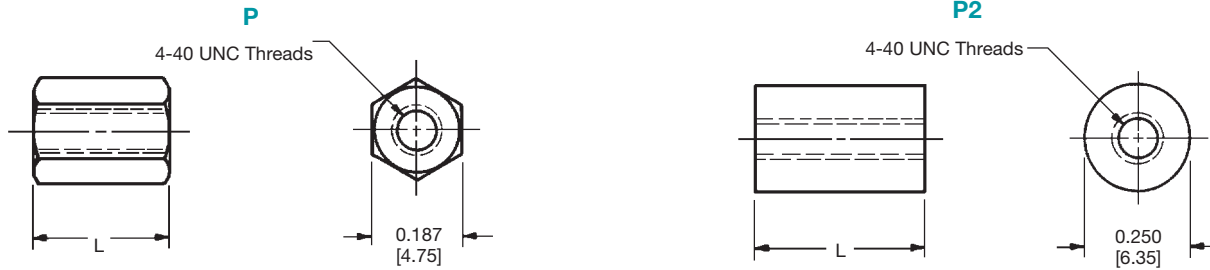
**Material:** Phosphor bronze, tin plate.

CONNECTOR SERIES	TERMINATION CODE NUMBER	A
MD, MDX, ED, HDC	all	0.225 [5.72]
	0, 1	0.375 [9.53]
ODD	2, 21, 3, 32	0.225 [5.72]
	all	0.375 [9.53]
RD, ORD, DD, CBC, CBCD, PCD, PCDD	all	0.375 [9.53]
SD	all	0.437 [11.10]
CBD, CBDD, CBM	all	0.250 [6.35]

**DIMENSIONS ARE IN INCHES [MILLIMETERS].  
ALL DIMENSIONS ARE SUBJECT TO CHANGE.**



### THREADED POST CODE P AND P2



CONNECTOR SERIES	TERMINATION CODE NUMBER	A
MD, MDX, ED, HDC	all	0.225 [5.72]
ODD	0, 1	0.375 [9.53]
	2, 21, 3, 32	0.225 [5.72]
RD, ORD, DD, CBC, CBCD, PCD, PCDD	all	0.375 [9.53]
SD	all	0.437 [11.10]
CBD, CBDD, CBM	all	0.250 [6.35]

**Material:** P - Brass with zinc plate and chromate seal or tin plate; stainless steel, passivated.  
P2 - Nylon.



Contact Technical Sales for details.

Positronic's D-subminiature Accessories are available in RoHS compliant materials. These materials will be supplied when the connector part number designates the RoHS modifier "/AA".

## Connectors Designed To Customer Specifications

Positronic D-subminiature connectors can be modified to customers specifications.

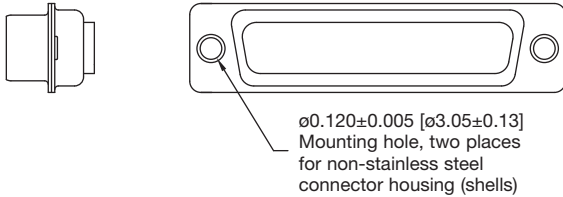
**Examples:** select loading of contacts for cost savings or to gain creepage and clearance distances; longer printed circuit board terminations; customer specified hardware; sealing for water resistance.

Contact Technical Sales with your particular requirements.

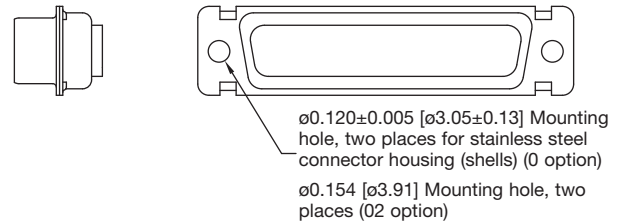


## MOUNTING OPTIONS CODE 0, 02, F

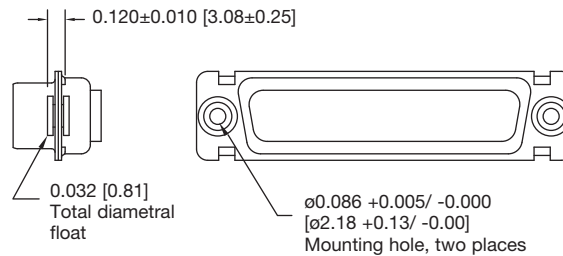
### THRU HOLE MOUNTING (0)



### THRU HOLE MOUNTING (0, 02)



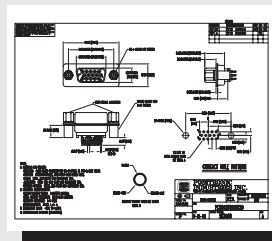
### FLOAT MOUNTS (F)



MOUNTING OPTION

## Do you need 2-D drawings or 3-D models?

Once you have made a connector selection, contact Technical Sales if you would like a 2-D drawing or 3-D model. If we do not have your specific part number on file, we can create one for you. Or, please visit [www.connectpositronic.com](http://www.connectpositronic.com) and use the search function.



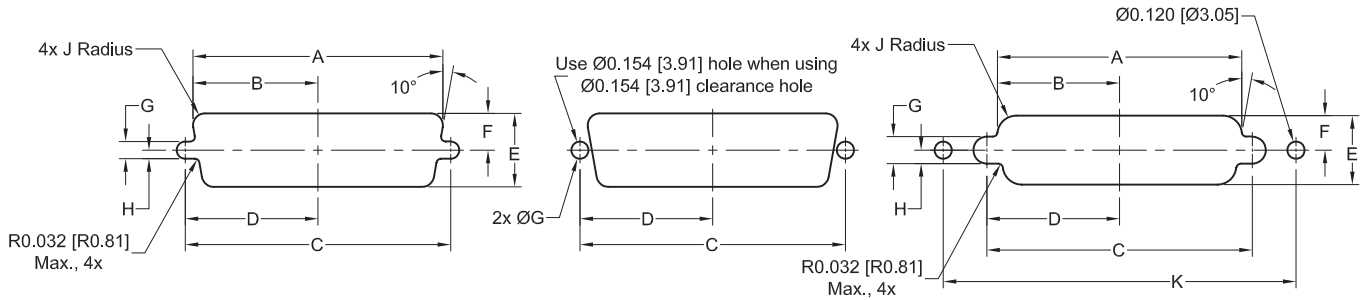


## PANEL CUTOUTS

### STANDARD CUTOUT

### OPTIONAL CUTOUT

### BLIND MATE FLOAT PLATE



SHELL SIZE	PANEL CUTOUT OPTIONS	MOUNTING	A ±0.005 [±0.13]	B ±0.005 [±0.13]	C ±0.005 [±0.13]	D ±0.005 [±0.13]	E ±0.005 [±0.13]	F ±0.005 [±0.13]	G ±0.002 [±0.05]	H ±0.002 [±0.05]	J ±0.002 [±0.05]	K ±0.005 [±0.13]
SHELL SIZE 1	CLEARANCE HOLE	FRONT	0.874 [22.20]	0.437 [11.10]	0.984 [24.99]	0.492 [12.50]	0.513 [13.03]	0.257 [6.53]	0.120 [3.05]	0.060 [1.52]	0.083 [2.11]	
		REAR	0.806 [20.47]	0.403 [10.24]	0.984 [24.99]	0.492 [12.50]	0.449 [11.40]	0.225 [5.72]	0.120 [3.05]	0.060 [1.52]	0.132 [3.35]	
	FLOAT MOUNT	FRONT	0.906 [23.01]	0.453 [11.51]	0.984 [24.99]	0.492 [12.50]	0.545 [13.84]	0.273 [6.93]	0.088 [2.24]	0.044 [1.12]	0.083 [2.11]	
		REAR	0.838 [21.29]	0.419 [10.64]	0.984 [24.99]	0.492 [12.50]	0.481 [12.22]	0.241 [6.12]	0.088 [2.24]	0.044 [1.12]	0.132 [3.35]	
	BLIND MATE FLOAT PLATE	FRONT	0.838 [21.29]	0.419 [10.64]	0.984 [24.99]	0.492 [12.50]	0.481 [12.22]	0.241 [6.12]	0.188 [4.78]	0.094 [2.39]	0.132 [3.35]	1.586 [40.28]
	SHELL SIZE 2	CLEARANCE HOLE	FRONT	1.202 [30.53]	0.601 [15.27]	1.312 [33.32]	0.656 [16.66]	0.513 [13.03]	0.257 [6.53]	0.120 [3.05]	0.060 [1.52]	0.083 [2.11]
REAR			1.134 [28.80]	0.567 [14.40]	1.312 [33.32]	0.656 [16.66]	0.449 [11.40]	0.225 [5.72]	0.120 [3.05]	0.060 [1.52]	0.132 [3.35]	
FLOAT MOUNT		FRONT	1.234 [31.34]	0.617 [15.67]	1.312 [33.32]	0.656 [16.66]	0.545 [13.84]	0.273 [6.93]	0.088 [2.24]	0.044 [1.12]	0.083 [2.11]	
		REAR	1.166 [29.62]	0.583 [14.81]	1.312 [33.32]	0.656 [16.66]	0.481 [12.22]	0.241 [6.12]	0.088 [2.24]	0.044 [1.12]	0.132 [3.35]	
BLIND MATE FLOAT PLATE		FRONT	1.166 [29.62]	0.583 [14.81]	1.312 [33.32]	0.656 [16.66]	0.481 [12.22]	0.241 [6.12]	0.188 [4.78]	0.094 [2.39]	0.132 [3.35]	1.914 [48.62]
SHELL SIZE 3		CLEARANCE HOLE	FRONT	1.743 [44.27]	0.872 [22.15]	1.852 [47.04]	0.926 [23.52]	0.513 [13.03]	0.257 [6.53]	0.120 [3.05]	0.060 [1.52]	0.083 [2.11]
	REAR		1.674 [42.52]	0.837 [21.26]	1.852 [47.04]	0.926 [23.52]	0.449 [11.40]	0.225 [5.72]	0.120 [3.05]	0.060 [1.52]	0.132 [3.35]	
	FLOAT MOUNT	FRONT	1.775 [45.09]	0.888 [22.56]	1.852 [47.04]	0.926 [23.52]	0.545 [13.84]	0.273 [6.93]	0.088 [2.24]	0.044 [1.12]	0.083 [2.11]	
		REAR	1.706 [43.33]	0.853 [21.67]	1.852 [47.04]	0.926 [23.52]	0.481 [12.22]	0.241 [6.12]	0.088 [2.24]	0.044 [1.12]	0.132 [3.35]	
	BLIND MATE FLOAT PLATE	FRONT	1.706 [43.33]	0.853 [21.67]	1.852 [47.04]	0.926 [23.52]	0.481 [12.22]	0.241 [6.12]	0.188 [4.78]	0.094 [2.39]	0.132 [3.35]	2.461 [62.51]

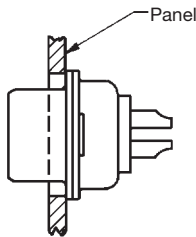
Chart continued on next page

MOUNTING OPTION

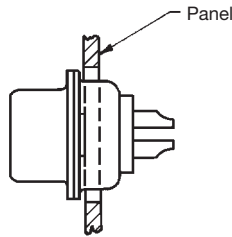


## PANEL CUTOUTS

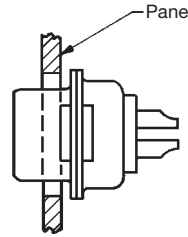
**CLEARANCE HOLE  
REAR MOUNT**



**CLEARANCE HOLE  
FRONT MOUNT**



**FLOAT MOUNT  
REAR MOUNT**



**FLOAT MOUNT  
FRONT MOUNT**

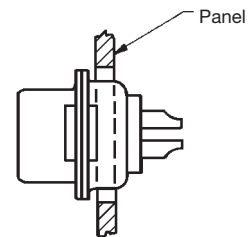


Chart continued from previous page

SHELL SIZE	PANEL CUTOUT OPTIONS	MOUNTING	A ±0.005 [±0.13]	B ±0.005 [±0.13]	C ±0.005 [±0.13]	D ±0.005 [±0.13]	E ±0.005 [±0.13]	F ±0.005 [±0.13]	G ±0.002 [±0.05]	H ±0.002 [±0.05]	J ±0.002 [±0.05]	K ±0.005 [±0.13]
SPECIAL SIZE 29	CLEARANCE HOLE	FRONT	1.425 [36.20]	0.713 [18.11]	1.534 [38.96]	0.767 [19.48]	0.623 [15.82]	0.312 [7.92]	0.120 [3.05]	0.060 [1.52]	0.083 [2.11]	
		REAR	1.356 [34.44]	0.678 [17.22]	1.534 [38.96]	0.767 [19.48]	0.555 [14.10]	0.278 [7.06]	0.120 [3.05]	0.060 [1.52]	0.132 [3.35]	
	FLOAT MOUNT	FRONT	1.457 [37.01]	0.729 [18.52]	1.534 [38.96]	0.767 [19.48]	0.655 [16.64]	0.328 [8.33]	0.088 [2.24]	0.044 [1.12]	0.083 [2.11]	
		REAR	1.388 [35.26]	0.694 [17.63]	1.534 [38.96]	0.767 [19.48]	0.587 [14.91]	0.294 [7.47]	0.088 [2.24]	0.044 [1.12]	0.132 [3.35]	
SHELL SIZE 4	CLEARANCE HOLE	FRONT	2.391 [60.73]	1.196 [30.38]	2.500 [63.50]	1.250 [31.75]	0.513 [13.03]	0.257 [6.53]	0.120 [3.05]	0.060 [1.52]	0.083 [2.11]	
		REAR	2.326 [59.08]	1.163 [29.54]	2.500 [63.50]	1.250 [31.75]	0.449 [11.40]	0.225 [5.72]	0.120 [3.05]	0.060 [1.52]	0.132 [3.35]	
	FLOAT MOUNT	FRONT	2.423 [61.54]	1.212 [30.78]	2.500 [63.50]	1.250 [31.75]	0.545 [13.84]	0.273 [6.93]	0.088 [2.24]	0.044 [1.12]	0.083 [2.11]	
		REAR	2.354 [59.79]	1.177 [29.90]	2.500 [63.50]	1.250 [31.75]	0.481 [12.22]	0.241 [6.12]	0.088 [2.24]	0.044 [1.12]	0.132 [3.35]	
	BLIND MATE FLOAT PLATE	FRONT	2.354 [59.79]	1.177 [29.90]	2.500 [63.50]	1.250 [31.75]	0.481 [12.22]	0.241 [6.12]	0.188 [4.78]	0.094 [2.39]	0.132 [3.35]	3.102 [78.79]
SHELL SIZE 5	CLEARANCE HOLE	FRONT	2.297 [58.34]	1.149 [29.18]	2.406 [61.11]	1.203 [30.56]	0.623 [15.82]	0.312 [7.92]	0.120 [3.05]	0.060 [1.52]	0.083 [2.11]	
		REAR	2.218 [56.34]	1.109 [28.17]	2.406 [61.11]	1.203 [30.56]	0.555 [14.10]	0.278 [7.06]	0.120 [3.05]	0.060 [1.52]	0.132 [3.35]	
	FLOAT MOUNT	FRONT	2.329 [59.16]	1.165 [29.59]	2.406 [61.11]	1.203 [30.56]	0.655 [16.64]	0.328 [8.33]	0.088 [2.24]	0.044 [1.12]	0.083 [2.11]	
		REAR	2.250 [57.15]	1.125 [28.58]	2.406 [61.11]	1.203 [30.56]	0.587 [14.91]	0.294 [7.47]	0.088 [2.24]	0.044 [1.12]	0.132 [3.35]	
	BLIND MATE FLOAT PLATE	FRONT	2.260 [57.40]	1.125 [28.58]	2.406 [61.11]	1.203 [30.56]	0.602 [15.29]	0.301 [7.65]	0.188 [4.78]	0.094 [2.39]	0.132 [3.35]	3.008 [76.40]
SHELL SIZE 6	CLEARANCE HOLE	FRONT	2.421 [61.49]	1.211 [30.76]	2.500 [63.50]	1.250 [31.75]	0.685 [17.40]	0.343 [8.71]	0.120 [3.05]	0.060 [1.52]	0.083 [2.11]	
		REAR	2.343 [59.51]	1.172 [29.77]	2.500 [63.50]	1.250 [31.75]	0.617 [15.67]	0.309 [7.85]	0.120 [3.05]	0.060 [1.52]	0.132 [3.35]	
	FLOAT MOUNT	FRONT	2.453 [62.31]	1.227 [31.17]	2.500 [63.50]	1.250 [31.75]	0.717 [18.21]	0.359 [9.12]	0.088 [2.24]	0.044 [1.12]	0.083 [2.11]	
		REAR	2.375 [60.33]	1.188 [30.18]	2.500 [63.50]	1.250 [31.75]	0.649 [16.48]	0.325 [8.26]	0.088 [2.24]	0.044 [1.12]	0.132 [3.35]	

DIMENSIONS ARE IN INCHES [MILLIMETERS].  
ALL DIMENSIONS ARE SUBJECT TO CHANGE.



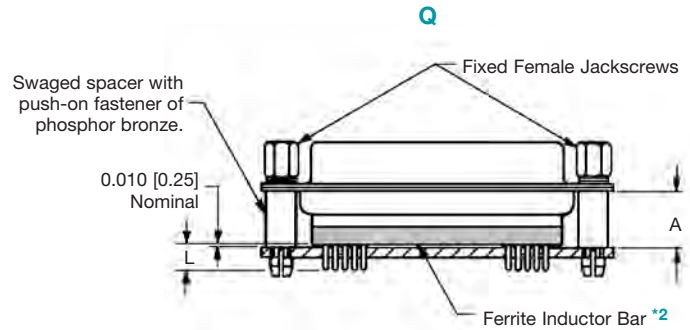
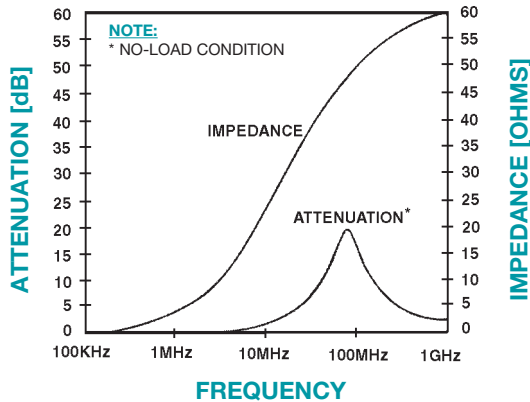
Positronic Industries  
connectpositronic.com

# FERRITE INDUCTOR

D-Sub  
Accessories

## FERRITE INDUCTOR BAR\*<sup>1</sup> FOR EMI/RFI NOISE SUPPRESSION CODE F AND Q\*<sup>2</sup>

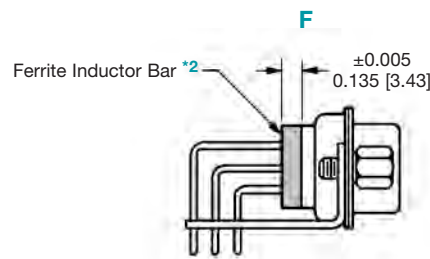
### FILTERING CHARACTERISTICS



**STRAIGHT PRINTED BOARD MOUNT CONNECTOR**



**MD9M5R7FT6X**



**RIGHT ANGLE (90°)  
PRINTED BOARD MOUNT CONNECTOR**

### FERRITE INDUCTOR AVAILABILITY

SERIES	CODE NUMBER	A	L
MD, MDX, HDC	32	0.375 [9.53]	0.240 [6.10]
ODD, CBDD		0.375 [9.53]	0.165 [4.19]
DD		0.515 [13.08]	0.165 [4.19]
ED, HDC	36	0.375 [9.53]	0.101 [2.57]
MD, MDX	4	-----	-----
ODD	5	-----	-----
MD	59	-----	-----
MD, HDC	6	0.375 [9.53]	0.360 [9.14]

Material: Nickel zinc ceramic.

### NOTES:

- \*<sup>1</sup> This bar option is available for connector housings (shells) 9, 15, 25, and 37. Ferrite beads are used for the other sizes. Contact Technical Sales for ferrite inductor ordering information on those connectors.
- \*<sup>2</sup> Specify Code F or Q in Step 6 of ordering information. F is for ferrite inductor and Q is for ferrite inductor with push-on fastener.



**NEW!**

## TECHNICAL CHARACTERISTICS, QUICK REFERENCE

CABLE ADAPTER	MATERIAL	FINISH	CABLE CLAMP (material, finish)	HARDWARE (material, finish)	UNIQUE ATTRIBUTES	PAGE
AN <sup>*1</sup>	aluminum	nickel	aluminum, nickel	steel with nickel plate	light weight, EMI	13
AC <sup>*1</sup>	aluminum	no finish	aluminum, no finish	steel with nickel plate	light weight, EMI	13
G	zinc, die cast		zinc, die cast		EMI/RFI metal	17
H	steel, zinc plate	chromate seal	steel, zinc plate with chromate seal		similar to SAE AS85049/48	21
J	glass-filled nylon, 94V-0		steel, nickel plate		top opening, for vibration applications	21
L	glass-filled nylon, 94V-0		steel, nickel plate		side opening, for vibration applications	21
QH	glass-filled ployester		steel, nickel plate	steel with zinc plate and chromate seal or tin plate; stainless steel, passivated	low profile	22
W	polypropylene 94V-0			See "CODE W" on page 23 for complete listing of hardware options.	low profile, low cost	23
Y	composite, conductive volume resistivity				low profile, sizes 50 & 104 only	24
Z	composite, conductive volume resistivity or glass-filled nylon				EMI/RFI composite	25

**NOTES:**

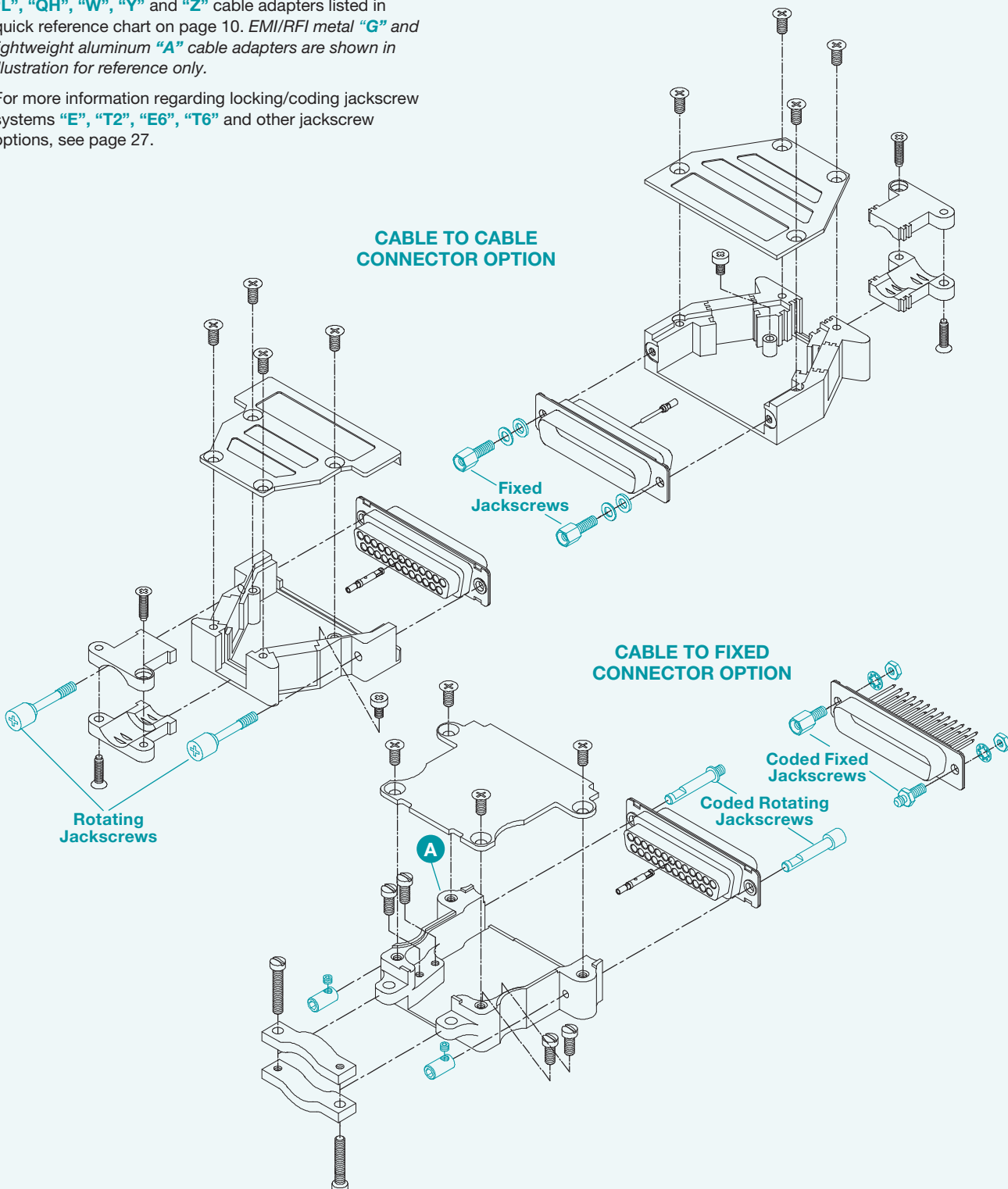
\*1 See "MATERIAL & FINISH OPTION" chart on page 14 for additional options.



### TYPICAL JACKSCREW LOCKING OPTIONS

Jackscrew options are available with "A", "G", "H", "J", "L", "QH", "W", "Y" and "Z" cable adapters listed in quick reference chart on page 10. EMI/RFI metal "G" and lightweight aluminum "A" cable adapters are shown in illustration for reference only.

For more information regarding locking/coding jackscrew systems "E", "T2", "E6", "T6" and other jackscrew options, see page 27.



CABLE ADAPTERS



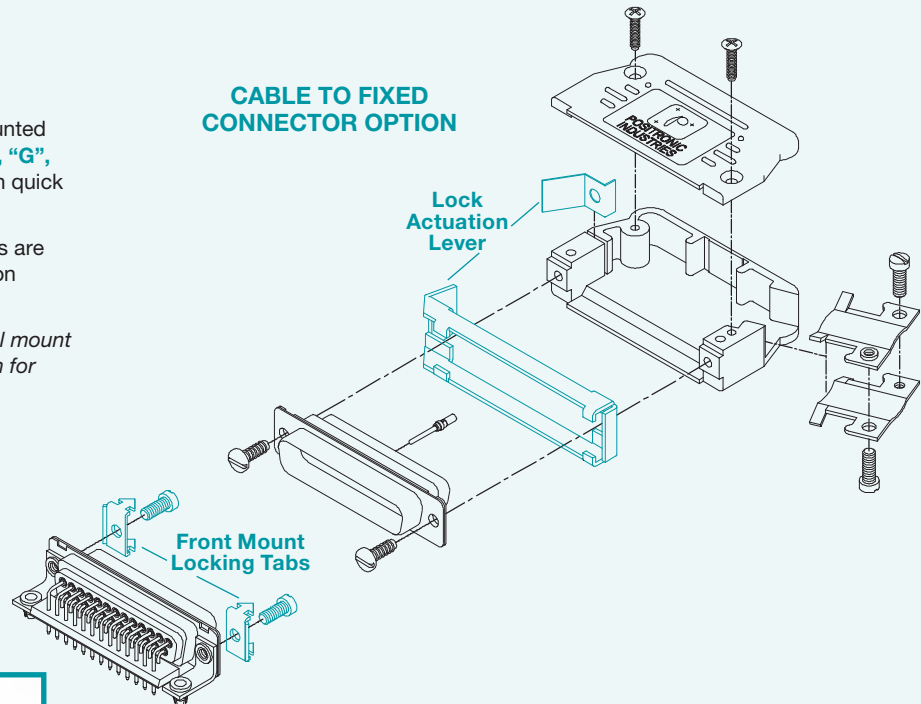
## TYPICAL QUICK DISCONNECT LOCKING DEVICE OPTIONS

Lock actuation lever "VL" and front mounted locking tabs "V3" are available with "A", "G", "H", "J" and "L" cable adapters listed in quick reference chart on page 10.

Back mounted locking tabs "V5" options are also available. For detailed information on locking/coding systems see page 28.

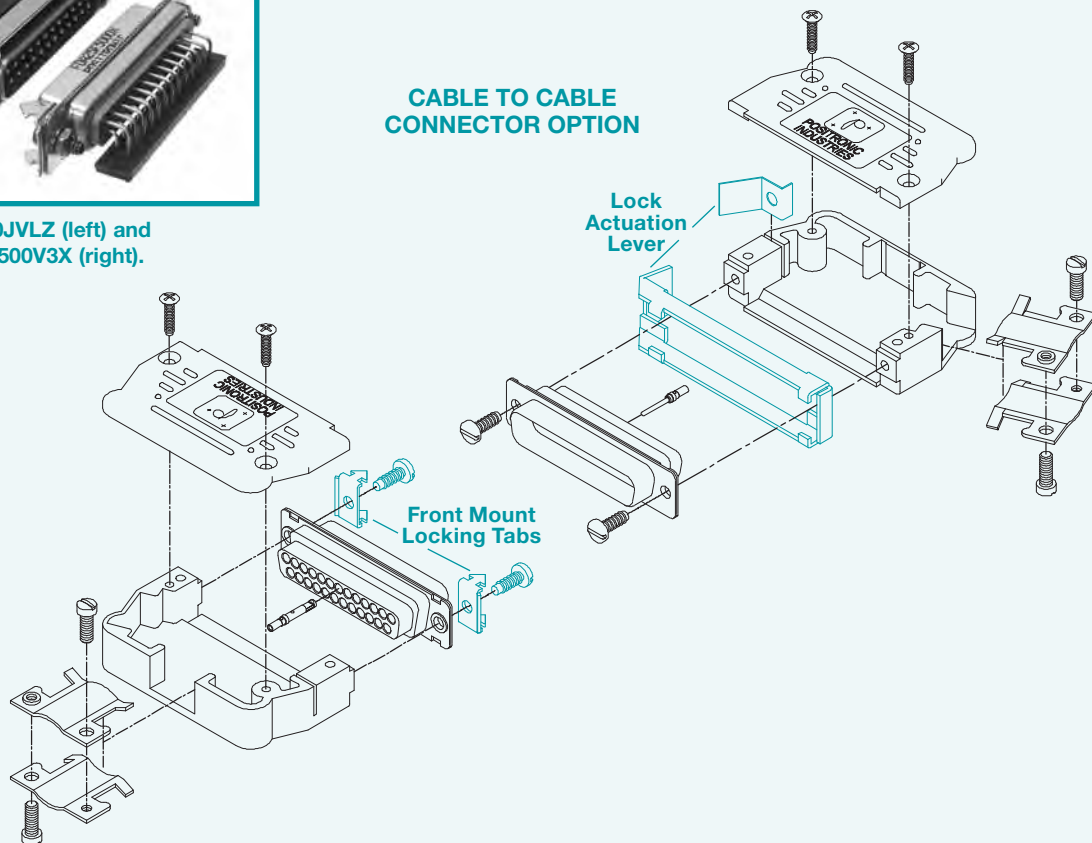
Plastic cable adapter "L" and front panel mount "V3" locking tab are shown in illustration for reference only.

### CABLE TO FIXED CONNECTOR OPTION



RD25M10JVLZ (left) and  
HDC25S500V3X (right).

### CABLE TO CABLE CONNECTOR OPTION



CABLE ADAPTERS



Positronic Industries  
connectpositronic.com

# CABLE ADAPTERS (HOODS/BACKSHELLS)

D-Sub  
Accessories



## LIGHTWEIGHT ALUMINUM CABLE ADAPTER (HOOD) EMI WITH MULTIPLE GROUNDING POINTS CODE A

### GENERAL INFORMATION

*This product has been designed for use in applications as a lightweight, EMI cable adapter for D-subminiature connectors. The features of the product are outlined below. Please contact Technical Sales for pricing and additional options.*

#### GROUND SCREWS

- ◆ Sized and spaced for use with 0.250 inch [6.35mm] diameter ring terminals
- ◆ Ground shelf height and ground screw length allow for stacking of ring terminals
- ◆ Holes are pre-tapped for ease of installation
- ◆ Ground screws are located outside the exiting wire path to facilitate wire routing
- ◆ Ground holes are tapped through to the outside which provide for optional external grounding

#### SPACIOUS INTERIOR

- ◆ Shape maximizes internal area which facilitates harness assembly
- ◆ No obstructions behind any portion of the connector body allows cable adapter to be used with Combo-D connectors

#### APERTURE / STRAIN RELIEF

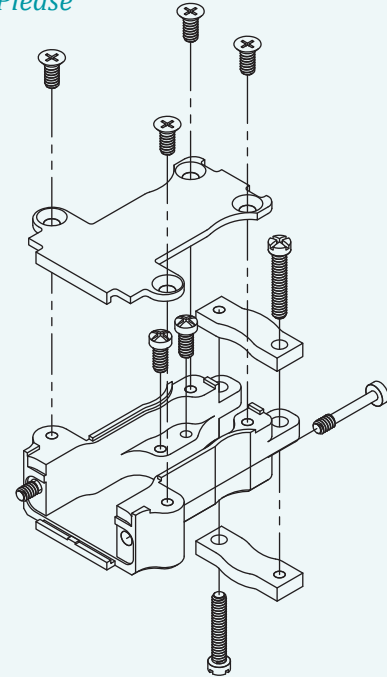
- ◆ Appropriate for high density wire bundles using twisted, shielded pairs
- ◆ Cable clamps can be "spooned" to provide strain relief for small wire bundle
- ◆ Wide form factor allows the user to easily meet bend radius requirements

#### THUMB GRIP

- ◆ Grip facilitates installation and removal in tight spaces

#### LOCKING SYSTEM

- ◆ Available with jackscrews or actuation lock system



### TECHNICAL CHARACTERISTICS

#### MATERIAL AND FINISHES:

**Cable Adapter & Cable Clamps:** Aluminum, aluminum with electroless nickel plate; aluminum with yellow anodize; aluminum with yellow chromate conversion. Zinc content is 1% maximum.

**Jackscrews & Screws:** Steel with nickel plate; brass with zinc plate and chromate seal. Stainless steel options available, contact Technical Sales

**Actuation Lock System:** Steel with nickel plate.

#### MECHANICAL CHARACTERISTICS:

**Ground Screws:** Can accept up to 0.250 inch [6.35mm] diameter ring terminal.

**Locking System:** Jackscrews and quick disconnect lock system.

#### ELECTRICAL CHARACTERISTICS:

**Range of Operation, Calculated Method:** 2 GHz minimum.

#### CLIMATIC CHARACTERISTICS:

**Temperature Range:** -55°C to +125°C

#### WEIGHT CHART:

Contact Technical Sales for weights on T2, E6, E7 and V3 hardware options.

CABLE ADAPTER (HOOD) SIZE	D*1000ANVL ounces [grams]	D*1000ANE ounces [grams]
9	1.43 [40.50]	1.08 [30.54]
15	1.60 [45.24]	1.32 [37.44]
25	1.95 [55.22]	1.62 [45.92]
29	Contact Technical Sales	
37	2.53 [71.60]	2.19 [62.06]
50	2.61 [74.00]	2.26 [63.94]
104	n/a	2.41 [68.44]

All hardware in a cable adapter assembly including cable clamps, screws, etc.

#### NOTE:

\*1 Designates size of cable adapter in part number.

continued on page 14

Visit our website for the latest catalog updates and supplements at  
<http://www.connectpositronic.com/products/58/D-subminiatureAccessories/catalogs/>



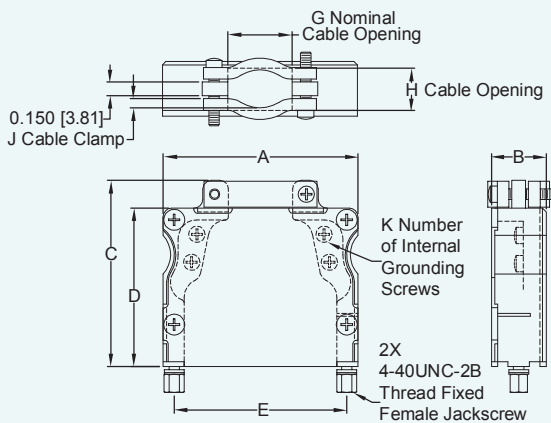
## TECHNICAL CHARACTERISTICS, continued

continued from page 13

MATERIAL & FINISH OPTIONS								
CODE NUMBER	CABLE ADAPTER (HOOD) & CABLE CLAMP FINISH	HARDWARE TYPE						HARDWARE MATERIAL & FINISH
		T2	E	E6	E7	VL	V3	
N	nickel	✓	✓	✓	✓	✓	✓	steel with nickel plate
C	no finish	✓	✓	✓	✓	✓	✓	steel with nickel plate
OPTIONAL MATERIAL & FINISHES								
A	anodize	✓	✓	✓	✓	✓	✓	steel with nickel plate
B	anodize	✓	✓	✓	✓			brass with zinc plate and chromate seal
D	no finish	✓	✓	✓	✓			brass with zinc plate and chromate seal
I	yellow chromate conversion	✓	✓	✓	✓	✓	✓	steel with nickel plate
J	yellow chromate conversion	✓	✓	✓	✓			brass with zinc plate and chromate seal



### LIGHTWEIGHT ALUMINUM CABLE ADAPTER (HOOD) WITH FIXED FEMALE JACKSCREWS CODE A\*1T2



Also available with  
*Polarized Fixed Jackscrews.* Contact  
Technical Sales  
for details.



TYPICAL PART NUMBER:  
D25000ANT20

**D15000ANT20** - Lightweight aluminum cable adapter with fixed female jackscrews, pictured with connector installed.

SHELL SIZE	CONNECTOR / CONTACT ARRANGEMENT COMPATIBILITY		PART NUMBER	A	B	C	D	E	G	H		J	K
										Min.*2	Max.		
1	Std-D: 9 High-D: 15	Combo-D: 5W1, 2WK2 Combo-D High-D: 8W2	D9000A*1T20	1.219 [30.96]	0.586 [14.88]	2.000 [50.08]	1.700 [43.18]	0.984 [24.99]	0.362 [9.19]	0.240 [6.10]	0.453 [11.51]	0.050 [1.27]	4
2	Std-D: 15 High-D: 26	Combo-D: 3W3, 3WK3, 7W2, 11W1 Combo-D High-D: 19W1	D15000A*1T20	1.547 [39.29]	0.586 [14.88]	2.000 [50.08]	1.700 [43.18]	1.312 [33.32]	0.690 [17.53]	0.350 [8.89]	0.453 [11.51]	0.100 [2.54]	4
3	Std-D: 25 High-D: 44	Combo-D: 5W5, 9W4, 13W3, 17W2, 21W1 Combo-D High-D: 15W4	D25000A*1T20	2.094 [53.19]	0.586 [14.88]	2.000 [50.08]	1.700 [43.18]	1.852 [47.04]	0.690 [17.53]	0.350 [8.89]	0.453 [11.51]	0.100 [2.54]	4
--	Std-D: 29 High-D: n/a	Combo-D: n/a Combo-D High-D: n/a	D29000A*1T20	1.776 [45.11]	0.689 [17.73]	2.000 [50.08]	1.700 [43.18]	1.534 [38.96]	0.690 [17.53]	0.350 [8.89]	0.564 [14.33]	0.100 [2.54]	4
4	Std-D: 37 High-D: 62	Combo-D: 8W8, 13W6, 17W5, 21WA4, 25W3, 27W2 Combo-D High-D: 45W2	D37000A*1T20	2.736 [69.49]	0.586 [14.88]	2.250 [57.15]	1.950 [49.53]	2.500 [63.50]	1.242 [31.55]	0.410 [10.41]	0.453 [11.51]	0.130 [3.30]	6
5	Std-D: 50 High-D: 78	Combo-D: 24W7, 36W4, 43W2, 47W1 Combo-D High-D: n/a	D50000A*1T20	2.642 [67.11]	0.689 [17.73]	2.250 [57.15]	1.950 [49.53]	2.406 [61.11]	1.242 [31.55]	0.410 [10.41]	0.564 [14.33]	0.130 [3.30]	6
6	Std-D: n/a High-D: 104	Combo-D: 46W4 Combo-D High-D: n/a	D104000A*1T20	2.736 [69.49]	0.760 [19.30]	2.250 [57.15]	1.950 [49.53]	2.500 [63.50]	1.242 [31.55]	0.410 [10.41]	0.627 [15.93]	0.130 [3.30]	6

**NOTES:**

- \*1 For completed part number, insert desired code number from "MATERIAL & FINISH OPTION" chart above.
- \*2 Smaller cable openings may be achieved by inverting one or both cable clamps.

**DIMENSIONS ARE IN INCHES [MILLIMETERS].  
ALL DIMENSIONS ARE SUBJECT TO CHANGE.**



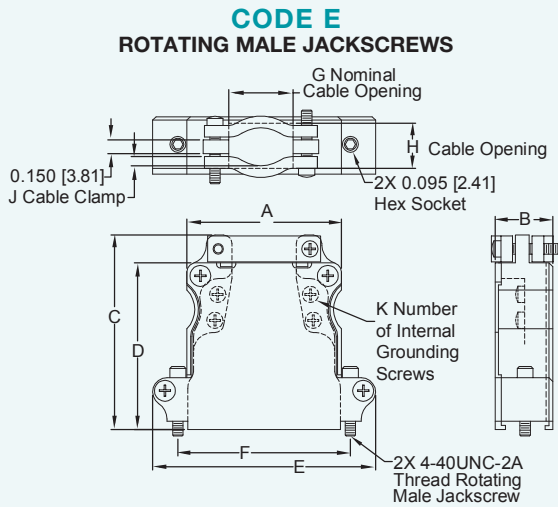
Positronic Industries  
connectpositronic.com

# CABLE ADAPTERS (HOODS/BACKSHELLS)

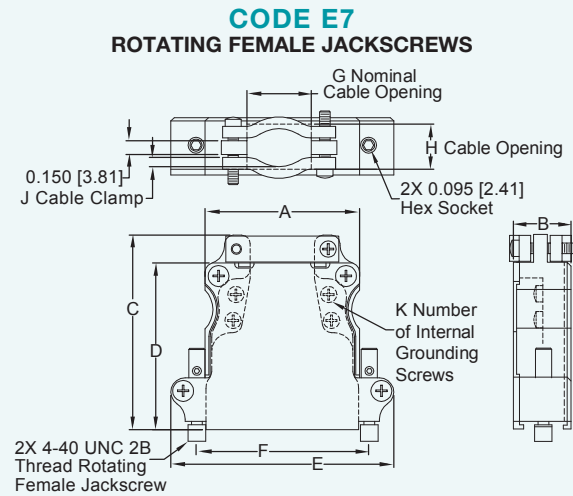
D-Sub  
Accessories



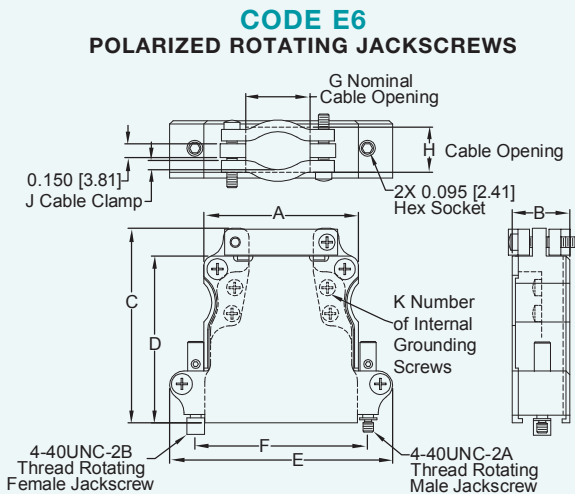
## LIGHTWEIGHT ALUMINUM CABLE ADAPTER (HOOD) WITH ROTATING JACKSCREWS CODE A\*1E, A\*1E6, AND A\*1E7



TYPICAL PART NUMBER: D25000ACE0

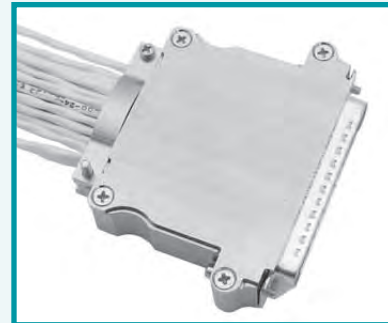


TYPICAL PART NUMBER: D25000ANE70



TYPICAL PART NUMBER: D25000ACE60

*D37000ANE0- Lightweight aluminum cable adapter with rotating male jackscrews, pictured with connector installed.*



*For Technical Characteristics, see page 13*

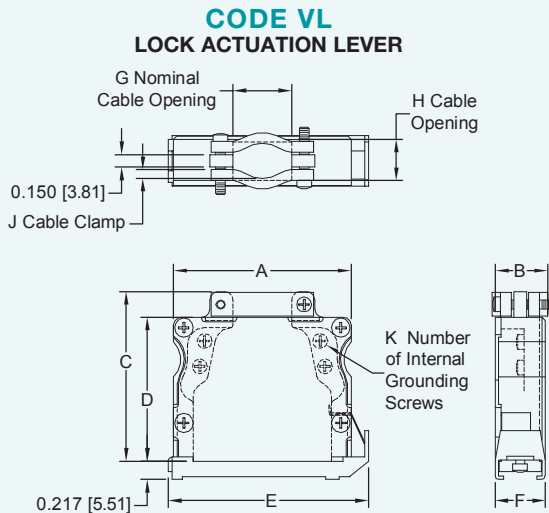
**NOTES:**

- \*1 For completed part number, insert desired code number from "MATERIAL & FINISH OPTION" chart on page 14.
- \*2 For completed part number, insert the desired code (E, E6 or E7) for required jackscrew option.
- \*3 Smaller cable openings may be achieved by inverting one or both cable clamps.

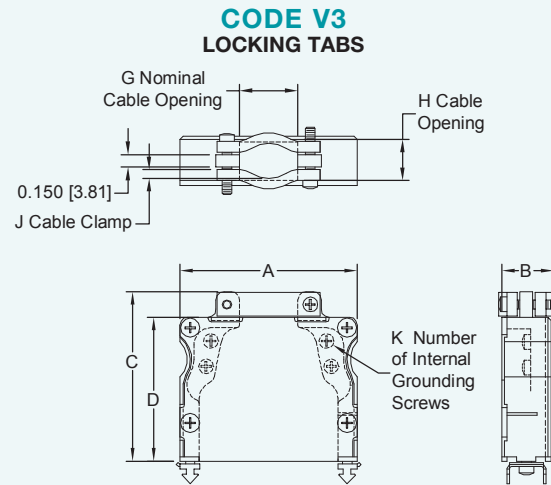
SHELL SIZE	CONNECTOR / CONTACT ARRANGEMENT COMPATIBILITY		PART NUMBER	A	B	C	D	E	F	G	H		J	K
											Min.*3	Max.		
1	Std-D: 9 High-D: 15	Combo-D: 5W1, 2WK2 Combo-D High-D: 8W2	D9000A*1*20	0.908 [23.06]	0.616 [15.65]	2.090 [53.09]	1.790 [45.47]	1.524 [38.71]	0.984 [24.99]	0.362 [9.19]	0.240 [6.10]	0.483 [12.27]	0.050 [1.27]	4
2	Std-D: 15 High-D: 26	Combo-D: 3W3, 3WK3, 7W2, 11W1 Combo-D High-D: 19W1	D15000A*1*20	1.236 [31.39]	0.616 [15.65]	2.090 [53.09]	1.790 [45.47]	1.852 [47.04]	1.312 [33.32]	0.690 [17.53]	0.350 [8.89]	0.483 [12.27]	0.100 [2.54]	4
3	Std-D: 25 High-D: 44	Combo-D: 5W5, 9W4, 13W3, 17W2, 21W1 Combo-D High-D: 15W4	D25000A*1*20	1.656 [42.06]	0.616 [15.65]	2.090 [53.09]	1.790 [45.47]	2.392 [60.76]	1.852 [47.04]	0.690 [17.53]	0.350 [8.89]	0.483 [12.27]	0.100 [2.54]	4
--	Std-D: 29 High-D: n/a	Combo-D: n/a Combo-D High-D: n/a	D29000A*1*20	1.338 [33.99]	0.727 [18.47]	2.090 [53.09]	1.790 [45.47]	2.074 [52.68]	1.534 [38.96]	0.690 [17.53]	0.350 [8.89]	0.594 [15.09]	0.100 [2.54]	4
4	Std-D: 37 High-D: 62	Combo-D: 8W8, 13W6, 17W5, 21WA4, 25W3, 27W2 Combo-D High-D: 45W2	D37000A*1*20	2.304 [58.52]	0.616 [15.65]	2.340 [59.44]	2.040 [51.82]	3.040 [77.22]	2.500 [63.50]	1.242 [31.55]	0.410 [10.41]	0.483 [12.27]	0.130 [3.30]	6
5	Std-D: 50 High-D: 78	Combo-D: 24W7, 36W4, 43W2, 47W1 Combo-D High-D: n/a	D50000A*1*20	2.210 [56.13]	0.727 [18.47]	2.340 [59.44]	2.040 [51.82]	2.946 [74.83]	2.406 [61.11]	1.242 [31.55]	0.410 [10.41]	0.594 [15.09]	0.130 [3.30]	6
6	Std-D: n/a High-D: 104	Combo-D: 46W4 Combo-D High-D: n/a	D104000A*1*20	2.304 [58.52]	0.790 [20.07]	2.340 [59.44]	2.040 [51.82]	3.040 [77.22]	2.500 [63.50]	1.242 [31.55]	0.410 [10.41]	0.657 [16.69]	0.130 [3.30]	6



## LIGHTWEIGHT ALUMINUM CABLE ADAPTER (HOOD) WITH QUICK DISCONNECT LOCKING DEVICE CODE A\*1VL AND A\*1V3



TYPICAL PART NUMBER: D25000ANVL0



TYPICAL PART NUMBER: D25000ACV30

Also available with  
Back panel mounted  
locking tabs,  
see page 28 for details.

D25000ANVL0 -  
Lightweight aluminum  
cable adapter with  
vibration lock lever,  
pictured with connector  
installed.



**NOTES:**

- \*1 For completed part number, insert desired code number from "MATERIAL & FINISH OPTION" chart on page 14.
- \*2 Smaller cable openings may be achieved by inverting one or both cable clamps.

SHELL SIZE	CONNECTOR / CONTACT ARRANGEMENT COMPATIBILITY		PART NUMBER	A	B	C	D	E	F	G	H		J	K
											Min.*2	Max.		
1	Std-D: 9 High-D: 15	Combo-D: 5W1, 2WK2 Combo-D High-D: 8W2	D9000A*1VL0	1.219 [30.96]	0.586 [14.88]	2.000 [50.08]	1.700 [43.18]	1.460 [37.08]	0.592 [15.04]	0.362 [9.19]	0.240 [6.10]	0.453 [11.51]	0.050 [1.27]	4
			D9000A*1V30	---	---	---	---	---	---	---	---	---	---	
2	Std-D: 15 High-D: 26	Combo-D: 3W3, 3WK3, 7W2, 11W1 Combo-D High-D: 19W1	D15000A*1VL0	1.547 [39.29]	0.586 [14.88]	2.000 [50.08]	1.700 [43.18]	1.770 [44.96]	0.592 [15.04]	0.690 [17.53]	0.350 [8.89]	0.453 [11.51]	0.100 [2.54]	4
			D15000A*1V30	---	---	---	---	---	---	---	---	---	---	
3	Std-D: 25 High-D: 44	Combo-D: 5W5, 9W4, 13W3, 17W2, 21W1 Combo-D High-D: 15W4	D25000A*1VL0	2.094 [53.19]	0.586 [14.88]	2.000 [50.08]	1.700 [43.18]	2.360 [59.94]	0.592 [15.04]	0.690 [17.53]	0.350 [8.89]	0.453 [11.51]	0.100 [2.54]	4
			D25000A*1V30	---	---	---	---	---	---	---	---	---	---	
--	Std-D: 29 High-D: n/a	Combo-D: n/a Combo-D High-D: n/a	D29000A*1VL0	1.776 [45.11]	0.689 [17.73]	2.000 [50.08]	1.700 [43.18]	2.030 [51.56]	0.715 [18.16]	0.690 [17.53]	0.350 [8.89]	0.564 [14.33]	0.100 [2.54]	4
			D29000A*1V30	---	---	---	---	---	---	---	---	---	---	
4	Std-D: 37 High-D: 62	Combo-D: 8W8, 13W6, 17W5, 21WA4, 25W3, 27W2 Combo-D High-D: 45W2	D37000A*1VL0	2.736 [69.49]	0.586 [14.88]	2.250 [57.15]	1.950 [49.53]	3.015 [76.58]	0.592 [15.04]	1.242 [31.55]	0.410 [10.41]	0.453 [11.51]	0.130 [3.30]	6
			D37000A*1V30	---	---	---	---	---	---	---	---	---	---	
5	Std-D: 50 High-D: 78	Combo-D: 24W7, 36W4, 43W2, 47W1 Combo-D High-D: n/a	D50000A*1VL0	2.642 [67.11]	0.689 [17.73]	2.250 [57.15]	1.950 [49.53]	2.900 [73.66]	0.715 [18.16]	1.242 [31.55]	0.410 [10.41]	0.564 [14.33]	0.130 [3.30]	6
			D50000A*1V30	---	---	---	---	---	---	---	---	---	---	

DIMENSIONS ARE IN INCHES [MILLIMETERS].  
ALL DIMENSIONS ARE SUBJECT TO CHANGE.



Positronic Industries  
connectpositronic.com

# CABLE ADAPTERS (HOODS/BACKSHELLS)

D-Sub  
Accessories

## CODE G - GENERAL INFORMATION

- EMI/RFI shielding
- Die cast zinc construction to maximize shielding and ruggedness.
- Well-proportioned to allow ample room for internal conductors.
- Central grounding post inside the cable adapter.
- Cable clamps and various cable exit options offered.
- Unused cable openings EMI/RFI protected using included metal plugs.

- Crimp ferrule system available for greater shielding performance and greater cable retention; see page 20.
- Offered with rotating jackscrews or quick disconnect locking systems.
- Supplied for D-subminiature connector housing sizes 1 - 6.

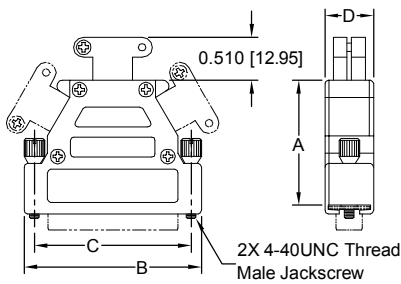
The EMI/RFI hood and adapters shown on pages 17 - 20 of this catalog are manufactured by **Inotec Electronics**. Positronic serves as the North American distributor of these hoods and adapters.

## EMI/RFI METAL CABLE ADAPTER (HOOD)

WITH ROTATING JACKSCREWS

CODE GE<sup>1</sup>

GE



CABLE CLAMP OPENINGS

Shell Sizes 1 - 4:  
0.118 [3.00], Min.  
0.472 [11.99], Max.

Shell Size 5 - 6:  
0.197 [5.00], Min.  
0.551 [14.00], Max.

Material:  
Zinc, die cast.

TYPICAL PART NUMBER: D25000GE0

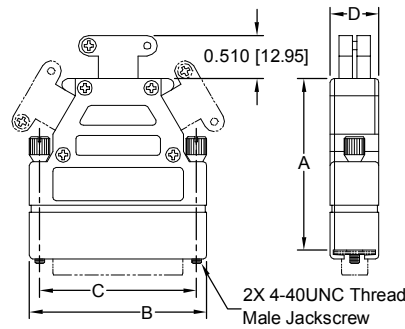
PART NUMBER (Shell Size)	A	B	C	D	CABLE EXIT OPTION <sup>5</sup>
D9000GE0 (Shell Size 1)	1.398 [35.50]	1.220 [31.00]	0.984 [25.00]	0.583 [14.81]	1 Top (Not pictured)
D9000GE0-1023.50 (Shell Size 1)					1 Side (Not pictured)
D15000GE0 (Shell Size 2)	1.575 [40.00]	1.547 [39.30]	1.311 [33.30]	0.583 [14.81]	1 Top, 1 Side <sup>3</sup> (Not pictured)
D15000GE0-1579.0 (Shell Size 2)					1 Side (Not pictured)
D25000GE0 (Shell Size 3)	1.575 [40.00]	2.094 [53.20]	1.850 [47.00]	0.583 [14.81]	1 Top, 2 Side <sup>4</sup>
D37000GE0 (Shell Size 4)	1.575 [40.00]	2.736 [69.50]	2.500 [63.50]	0.583 [14.81]	1 Top, 2 Side <sup>4</sup>
D50000GE0 (Shell Size 5)	1.654 [42.00]	2.638 [67.00]	2.406 [61.10]	0.701 [17.80]	1 Top, 2 Side <sup>4</sup>
D104000GE0 (Shell Size 6)	1.560 [39.62]	2.835 [72.01]	2.500 [63.50]	0.764 [19.40]	1 Top, 2 Side <sup>4</sup> (Not pictured)

### FEATURES:

- Gripping shoulders enable trouble-free extraction of the connector assembly even with tightly packed aligned cable adapters.
- Rotating jackscrews offer the most secure mechanical locking of the connector system.
- Standard height cable adapters for use with connector shell sizes 1 and 2 are available with a top or side cable exit option. Contact Technical Sales for details.
- Cable adapters for use with connector shell sizes 3 - 5 are designed with three (3) cable entries and can permit the looping through of cables. Cable entries not used are sealed with supplied metal plugs to maintain EMI/RFI shielding qualities.
- Two (2) height options are available, one being a low profile option (as shown on the left side of this page). An increased height option (as shown on the right side of this page) is offered for use with power conductors and coaxial cable, such as might be used with the Positronic CBD/CBM series connectors.
- Grounding to the cable adapter may be accomplished by fastening wires inside cable adapter with an M3 threaded Phillips head screw.

EXTENDED HEIGHT GE<sup>2</sup>

FOR EXTENDED GE CABLE ADAPTER,  
ADD THE SUFFIX AS INDICATED IN THE TABLE BELOW.



TYPICAL PART NUMBER: D25000GE0-1023.5

PART NUMBER (Shell Size)	A	B	C	D	CABLE EXIT OPTION <sup>5</sup>
D9000GE0-1023.5 (Shell Size 1)	1.988 [50.50]	1.220 [31.00]	0.984 [25.00]	0.583 [14.81]	1 Side (Not pictured)
D9000GE0-1023.49 (Shell Size 1)					1 Top (Not pictured)
D15000GE0-1023.5 (Shell Size 2)	2.165 [55.00]	1.547 [39.30]	1.311 [33.30]	0.583 [14.81]	1 Top, 1 Side <sup>3</sup> (Not pictured)
D25000GE0-1023.5 (Shell Size 3)	2.165 [55.00]	2.094 [53.20]	1.850 [47.00]	0.583 [14.81]	1 Top, 2 Side <sup>4</sup>
D37000GE0-1023.5 (Shell Size 4)	2.165 [55.00]	2.736 [69.50]	2.500 [63.50]	0.583 [14.81]	1 Top, 2 Side <sup>4</sup>
D50000GE0-1023.5 (Shell Size 5)	2.244 [57.00]	2.638 [67.00]	2.406 [61.10]	0.701 [17.80]	1 Top, 2 Side <sup>4</sup>



### NOTES:

- <sup>1</sup> To prevent stripping of the cable adapter assembly screws, we recommend using Pozidriv screwdriver bits available from stock using part number 9535-2-2-0, contact Technical Sales. Standard height GE cable adapter use the Pozidriv style jackscrews. Internal hex jackscrews are available for the standard height, but require an MOS.
- <sup>2</sup> The extended height cable adapters use an internal hex jackscrew.
- <sup>3</sup> These cable adapters are supplied with one (1) cable clamp set and one (1) opening plug.
- <sup>4</sup> These cable adapters are supplied with one (1) cable clamp set and two (2) opening plugs.
- <sup>5</sup> See page 20 for optional Crimp Ferrule System.

CABLE ADAPTERS



## EMI/RFI METAL CABLE ADAPTER (HOOD)<sup>\*1</sup>

WITH QUICK DISCONNECT LOCKING DEVICE

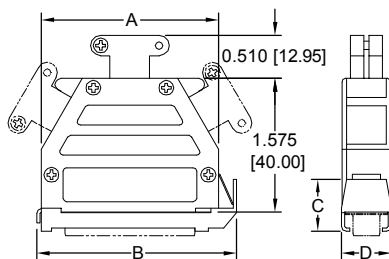
**CODE G AND GVL**

GVL CABLE ADAPTER SHOWN FOR REFERENCE, FOR G CABLE ADAPTER USE SAME DRAWING AS GVL CABLE ADAPTER EXCEPT WITHOUT THE LOCK ACTUATION LEVER

### EXTENDED HEIGHT G<sup>\*2</sup> / GVL<sup>\*2</sup>

FOR EXTENDED HEIGHT CABLE ADAPTER,  
ADD THE SUFFIX AS INDICATED IN THE TABLE BELOW.

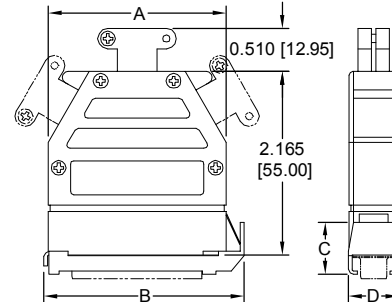
#### G / GVL



#### CABLE CLAMP OPENINGS

**Shell Sizes 1 - 4:**  
0.118 [3.00], Min.  
0.472 [11.99], Max.  
**Shell Size 5:**  
0.197 [5.00], Min.  
0.551 [14.00] Max.

**Material:**  
Zinc, die cast.



TYPICAL PART NUMBER: D25000GVL0

TYPICAL PART NUMBER: D25000GVL0-1023.0

SHELL SIZE	PART NUMBER	A	B	C	D	CABLE EXIT OPTION <sup>*5</sup>
1	D9000G00	1.260 [32.00]	---	---	---	2 Side <sup>*3</sup>
	D9000GVL0		1.460 [37.08]	0.615 [15.62]	0.600 [15.24]	
2	D15000G00	1.547 [39.30]	---	---	---	1 Top, 2 Side <sup>*4</sup>
	D15000GVL0		1.770 [44.96]	0.615 [15.62]	0.600 [15.24]	
3	D25000G00	2.094 [53.20]	---	---	---	1 Top, 2 Side <sup>*4</sup>
	D25000GVL0		2.360 [59.94]	0.615 [15.62]	0.600 [15.24]	
4	D37000G00	2.736 [69.50]	---	---	---	1 Top, 2 Side <sup>*4</sup>
	D37000GVL0		3.020 [76.71]	0.615 [15.62]	0.600 [15.24]	
5	D50000G00	2.638 [67.00]	---	---	---	1 Top, 2 Side <sup>*4</sup>
	D50000GVL0		2.900 [73.66]	0.635 [16.13]	0.710 [18.03]	

SHELL SIZE	PART NUMBER	A	B	C	D	CABLE EXIT OPTION <sup>*5</sup>
1	D9000G00-1023.2	1.260 [32.00]	---	---	---	2 Side <sup>*3</sup>
	D9000GVL0-1023.0		1.460 [37.08]	0.615 [15.62]	0.600 [15.24]	
2	D15000G00-1023.2	1.547 [39.30]	---	---	---	1 Top, 2 Side <sup>*4</sup>
	D15000GVL0-1023.0		1.770 [44.96]	0.615 [15.62]	0.600 [15.24]	
3	D25000G00-1023.2	2.094 [53.20]	---	---	---	1 Top, 2 Side <sup>*4</sup>
	D25000GVL0-1023.0		2.360 [59.94]	0.615 [15.62]	0.600 [15.24]	
4	D37000G00-1023.2	2.736 [69.50]	---	---	---	1 Top, 2 Side <sup>*4</sup>
	D37000GVL0-1023.0		3.020 [76.71]	0.615 [15.62]	0.600 [15.24]	
5	D50000G00-1023.2	2.638 [67.00]	---	---	---	1 Top, 2 Side <sup>*4</sup>
	D50000GVL0-1023.0		2.900 [73.66]	0.635 [16.13]	0.710 [18.03]	

#### NOTES:

- <sup>\*1</sup> To prevent stripping of the cable adapter assembly screws, we recommend using Pozidriv screwdriver bits available from stock using part number 9535-2-2-0, contact Technical Sales. For the mounting screws, we recommend using a standard Phillips head screwdriver bit.
- <sup>\*2</sup> The extended height cable adapters use an internal hex jackscrew.
- <sup>\*3</sup> These cable adapters are supplied with one (1) cable clamp set and one (1) opening plug.
- <sup>\*4</sup> These cable adapters are supplied with one (1) cable clamp set and two (2) opening plugs.
- <sup>\*5</sup> See page 20 for optional Crimp Ferrule System.



#### FEATURES:

- Rapid locking system stays in a constantly-locked position, utilizing a blade spring. System is unlocked by simply pressing the slide latch. Locking is automatic upon coupling to the mating connector.
- Gripping shoulders enable trouble-free extraction of the connector assembly even with tightly packed aligned cable adapters.
- Cable adapters for use with connector shell sizes 2 - 5 are designed with three (3) cable entries and can permit the looping through of cables. Cable entries not used are sealed with the supplied metal plugs to maintain EMI/RFI shielding. Cable adapters for use with connector shell size 1 are designed with only two (2) side openings.
- Two (2) height options are available, one being a low profile option (as shown on the left side of this page). An increased height option (as shown on the right side of this page) is offered for use with power conductors and coaxial cable, such as might be used with the Positronic CBD/CBM series connectors.
- Grounding to the cable adapter may be accomplished by fastening wires inside cable adapter with an M3 threaded Phillips head screw.

For information regarding **QUICK DISCONNECT LOCKING DEVICE**, see page 28.



Positronic Industries  
connectpositronic.com

# CABLE ADAPTERS (HOODS/BACKSHELLS)

D-Sub  
Accessories

## EMI/RFI METAL CABLE ADAPTER (HOOD)<sup>\*1</sup> WITH M3 THREADS

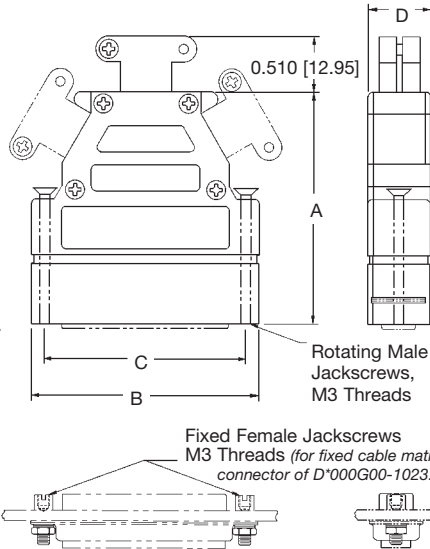
TO OBTAIN THE FIXED FEMALE JACKSCREWS (SHOWN BELOW),  
ADD THE SUFFIX "-1193.6" TO THE END OF THE PART NUMBER.  
Contact Technical Sales for additional ordering information.

### CABLE CLAMP OPENINGS

**Shell Sizes 1 - 4:**  
0.118 [3.00], Min.  
0.472 [11.99], Max.

**Shell Size 5:**  
0.197 [5.00], Min.  
0.551 [14.00] Max.

**Material:**  
Zinc, die cast



PART NUMBER (Shell Size)	A	B	C	D	CABLE EXIT OPTION <sup>*3</sup>
<b>D9000GE0-1023.6</b> (Shell Size 1)	1.949 [49.50]	1.287 [32.70]	0.984 [25.00]	0.583 [14.81]	1 Top (Not pictured)
<b>D15000GE0-1023.6</b> (Shell Size 2)	2.126 [54.00]	1.551 [39.40]	1.311 [33.30]	0.583 [14.81]	1 Side (Not pictured)
<b>D25000GE0-1023.6</b> (Shell Size 3)	2.126 [54.00]	2.165 [55.00]	1.850 [47.00]	0.583 [14.81]	1 Top, 2 Side <sup>*2</sup>
<b>D37000GE0-1023.6</b> (Shell Size 4)	2.204 [56.00]	2.803 [71.20]	2.500 [63.50]	0.583 [14.81]	1 Top, 2 Side <sup>*2</sup>
<b>D50000GE0-1023.6</b> (Shell Size 5)	2.204 [56.00]	2.717 [69.01]	2.406 [61.10]	0.701 [17.80]	1 Top, 2 Side <sup>*2</sup>
<b>D104000GE0-1023.6</b> (Shell Size 6)	1.929 [49.00]	2.835 [72.00]	2.500 [63.50]	0.764 [19.40]	1 Top, 2 Side <sup>*2</sup>

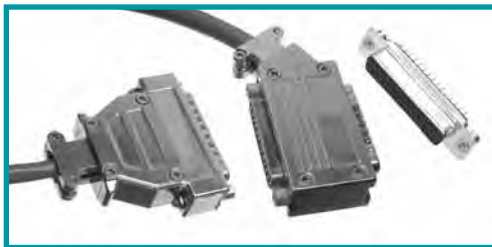
### FEATURES:

- Developed for applications where the highest degree of EMI/RFI shielding protection is required.
- The connector is recessed into the cable adapter so that additional EMI/RFI protection is gained.
- When this connector system is fully coupled, the front edge of the cable adapter presses against the panel that houses the mating connector, offering greater shielding.
- Cable adapters for use with connector shell sizes 3 - 5 are designed with three (3) cable entries and can permit the looping through of cables. Cable entries not used are sealed with supplied metal plugs to maintain EMI/RFI shielding qualities.
- Jackscrew locking system is supplied as a standard for secure mechanical coupling.
- Grounding to the cable adapter may be accomplished by fastening wires inside cable adapter with an M3 threaded Phillips head screw.

### NOTES:

- <sup>\*1</sup> To prevent stripping of the cable adapter assembly screws, we recommend using Pozidriv screwdriver bits available from stock using part number 9535-2-2-0, contact Technical Sales.
- <sup>\*2</sup> These cable adapters are supplied with one (1) cable clamp set and two (2) opening plugs.
- <sup>\*3</sup> See page 20 for optional Crimp Ferrule System.

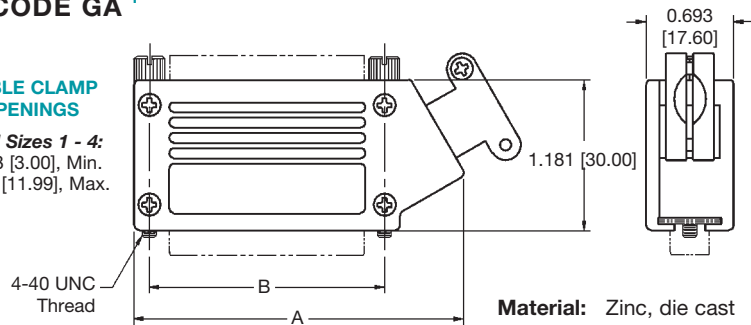
## EMI/RFI ADAPTER CODE GA<sup>\*1</sup>



### CABLE CLAMP OPENINGS

**Shell Sizes 1 - 4:**  
0.118 [3.00], Min.  
0.472 [11.99], Max.

4-40 UNC  
Thread



### FEATURES:

- The "GA" series adapter can be used as a gender-changer which provides EMI/RFI protection.
- The "GA" series adapter allows for internal placement of a printed circuit board between the connectors.
- The "GA" series adapter can be used to adapt connectors of one interface standard to another.
- The "GA" series adapter can be used in applications where tapping into the electrical line path between connectors is necessary. A cable exit is provided for this application.
- If no connector is inserted into the rear side of the cable adapter, the opening can be closed with a metal plate which can be adapted for use with LED's, mini-switches, and coaxial connectors.
- Jackscrew locking system is supplied as a standard for secure mechanical coupling.
- Grounding to the cable adapter may be accomplished by fastening wires inside cable adapter with an M3 threaded Phillips head screw.

PART NUMBER (Shell Size)	A	B	OPTIONAL COVER PLATE	OPTIONAL CABLE OPENING PLUG <sup>*2</sup>
<b>D9000GA0</b> (Shell Size 1)	1.733 [44.00]	0.984 [25.00]	4589-9-0-0	4596-1-0-0 <sup>*3</sup>
<b>D15000GA0</b> (Shell Size 2)	2.059 [52.30]	1.311 [33.30]	4589-15-0-0	4596-1-0-0 <sup>*3</sup>
<b>D25000GA0</b> (Shell Size 3)	2.598 [66.00]	1.850 [47.00]	4589-25-0-0	4596-1-0-0 <sup>*3</sup>
<b>D37000GA0</b> (Shell Size 4)	3.248 [82.50]	2.500 [63.50]	4589-37-0-0	4596-1-0-0 <sup>*3</sup>

### NOTES:

- <sup>\*1</sup> To prevent stripping of the cable adapter assembly screws, we recommend using Pozidriv screwdriver bits available from stock using part number 9535-2-2-0, contact Technical Sales.
- <sup>\*2</sup> See page 20 for optional Crimp Ferrule System.
- <sup>\*3</sup> Must be purchased separately.



## CRIMP FERRULE SYSTEMS

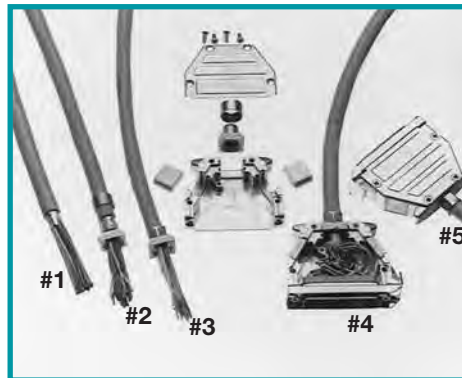
FOR USE WITH CODE G CABLE ADAPTERS (HOODS)

The crimp ferrule system can be used with all Positronic code "G" cable adapters and is recommended when maximizing EMI/RFI protection is desired.

The crimp ferrule system optimizes the transition of the cable shield into the cable adapter in three ways. First: It provides a low impedance connection of the cable shield to the cable adapter which remains constant over time. Second: The system provides an EMI/RFI tight cable exit point. Third: The system provides for high mechanical retention of the cable in the cable adapter.

Application of the crimp ferrule system is quite simple. Once the cable insulation and shield are cut to the correct dimensions (#1), the crimp ferrule is placed over the cable

and the crimp flange is inserted between the shield and the conductors (#2). The crimp ferrule is now slid over the cable insulation into position over the crimp flange and the crimp is made using Positronic-supplied hand press and die sets (#3). This assembly is then terminated to the connector and placed into the cable adapter (#4). Finally, the cover is placed on the cable adapter and secured using four (4) screws (#5).



To order the Positronic-supplied hand press, request part number 9520-0-0-0 or for hand crimp tool, request part number 9521-3-0-0. To order Positronic-supplied die sets, contact Technical Sales for ordering information, since die sets are customized based on the specific crimp flanges, crimp ferrules and cables used.



A crimp ferrule (left) and a crimp flange (right) shown above.

### CRIMP FERRULE / FLANGE ORDERING INFORMATION

STEP	1	2	3	4	
TYPICAL PART NUMBERS	4592	***	***	0	CRIMP FERRULE
	4593	***	***	0	CRIMP FLANGE

**STEP 1 - BASIC SERIES**  
4592 - Crimp Ferrule  
4593 - Crimp Flange

**STEP 2 & 3 - DIAMETERS\*1**

**STEP 4 - PLATING**  
0 - Standard plating.

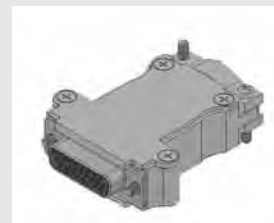
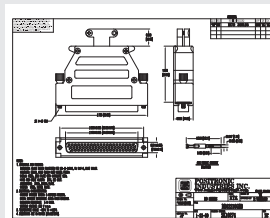
**NOTE:**

\*1 Contact Technical Sales for part number completion which is determined by Customer-required cable diameters and type.

Visit our website for the latest catalog updates and supplements at  
<http://www.connectpositronic.com/products/58/D-subminiatureAccessories/catalogs/>

## Do you need 2-D drawings or 3-D models?

Once you have made a connector selection, contact Technical Sales if you would like a 2-D drawing or 3-D model. If we do not have your specific part number on file, we can create one for you. Or, please visit [www.connectpositronic.com](http://www.connectpositronic.com) and use the search function.





Positronic Industries  
connectpositronic.com

# CABLE ADAPTERS (HOODS/BACKSHELLS)

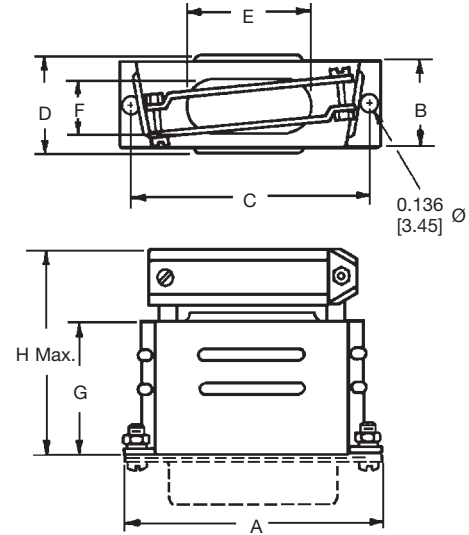
D-Sub  
Accessories

## METAL CABLE ADAPTER (HOOD) CODE H

**Material:** *Steel, zinc plate with chromate seal.*

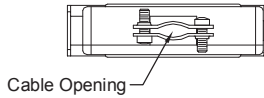
**NOTE:** Brass with gold plate finish is available for space applications. Contact Technical Sales for ordering information.

PART NUMBER (Shell Size)	A	B	C	D MAX.	E	F	G	H MAX.
<b>D15000H00</b> (Shell Size 2)	1.531 [36.88]	0.492 [12.50]	1.312 [33.32]	0.578 [14.68]	0.713 [18.11]	0.312 [7.92]	0.750 [19.05]	1.219 [30.96]
<b>D25000H00</b> (Shell Size 3)	2.078 [52.78]	0.492 [12.50]	1.852 [47.04]	0.578 [14.68]	1.000 [25.40]	0.312 [7.92]	1.000 [25.40]	1.532 [38.91]
<b>D37000H00</b> (Shell Size 4)	2.718 [69.03]	0.492 [12.50]	2.500 [63.50]	0.578 [14.68]	1.375 [34.93]	0.312 [7.92]	1.000 [25.40]	1.532 [38.91]
<b>D50000H00</b> (Shell Size 5)	2.625 [66.68]	0.601 [15.27]	2.406 [61.11]	0.687 [17.45]	1.406 [35.71]	0.406 [10.31]	1.125 [28.58]	1.657 [42.09]



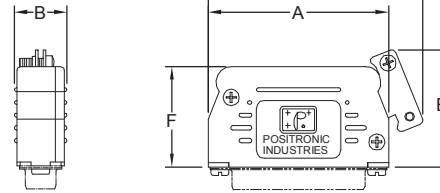
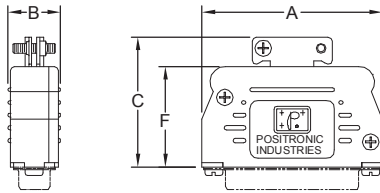
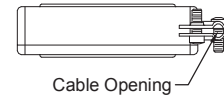
## PLASTIC CABLE ADAPTER (HOOD) CODE J AND L

**CODE J**  
TOP OPENING



*Typically used  
with Quick  
Disconnect  
Locking Device,  
see page 28*

**CODE L**  
SIDE OPENING



**Material:**

**Cable Adapter:** Glass-filled nylon, 94V-0.

**Cable Clamps:** Steel, nickel plate.



D25000LVLO

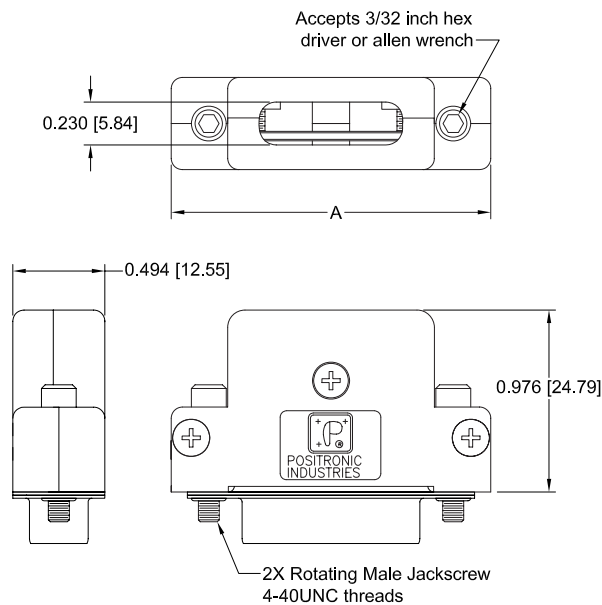
PART NUMBER (Shell Size)	A	B	C	D	E	F	CABLE OPENING	
							MINIMUM	MAXIMUM
<b>D9000J00</b> <b>D9000L00</b> (Shell Size 1)	1.262 [32.05]	0.593 [15.06]	1.310 [28.70]	1.520 [38.61]	1.030 [26.16]	0.864 [21.95]	0.145 [3.43] Ø	0.280 [7.11] Ø
<b>D1500J00</b> <b>D1500L00</b> (Shell Size 2)	1.551 [39.40]	0.649 [16.48]	1.414 [35.92]	1.900 [48.26]	1.240 [31.50]	1.022 [25.96]	0.160 [4.06] Ø	0.275 [6.99] Ø
<b>D2500J00</b> <b>D2500L00</b> (Shell Size 3)	2.129 [54.08]	0.621 [15.77]	1.533 [38.94]	2.492 [63.30]	1.380 [35.10]	1.186 [30.12]	0.110 [2.79] Ø	0.275 [6.99] Ø
<b>D2900J00</b> <b>D2900L00</b>	1.801 [45.75]	0.697 [17.70]	1.537 [39.04]	2.164 [54.97]	1.390 [35.31]	1.196 [30.38]	0.110 [2.79] Ø	0.390 [9.91] Ø
<b>D3700J00</b> <b>D3700L00</b> (Shell Size 4)	2.786 [70.76]	0.650 [16.51]	1.844 [46.84]	3.188 [79.20]	1.690 [42.93]	1.506 [38.25]	0.230 X 0.630 [5.84] X [16.00]	0.350 X 0.630 [8.89] X [16.00]
<b>D5000J00</b> <b>D5000L00</b> (Shell Size 5)	2.688 [68.28]	0.745 [18.92]	1.839 [46.71]	3.015 [76.58]	1.690 [42.93]	1.504 [38.23]	0.230 X 0.630 [5.84] X [16.00]	0.430 X 0.630 [10.92] X [16.00]

CABLE ADAPTERS



## LOW PROFILE CABLE ADAPTER (HOOD) CODE QH

**Note:** When using QH cable adapter with connector series other than QB, use MOS-1886.0 to allow for installation of required mounting spacers.  
**Example part number:**  
RD15S10QH00-1886.0



**Material:**

**Cable Adapter:** Glass filled polyester, UL94V-0.

**Jackscrews:** Steel with zinc plate and chromate seal or tin plate; stainless steel, passivated.

**Internal cable clamp:** Steel, nickel plate.

PART NUMBER (Shell Size)	A
D15000QH00 (Shell Size 2)	1.715 [43.56]
D25000QH00 (Shell Size 3)	2.255 [57.28]



QB7W2S00QH0 cable adapter shown above with contacts

CABLE ADAPTERS

### CONTACT TECHNICAL SALES FOR MORE INFORMATION



Contact Technical  
Sales for details.

Positronic's D-subminiature Accessories are available in RoHS compliant materials. These materials will be supplied when the connector part number designates the RoHS modifier "AA".



Positronic Industries  
connectpositronic.com

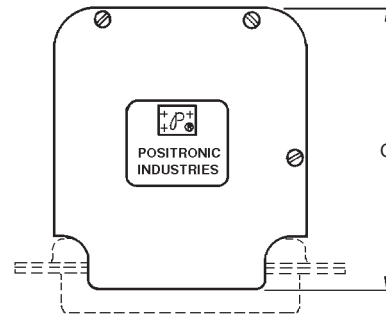
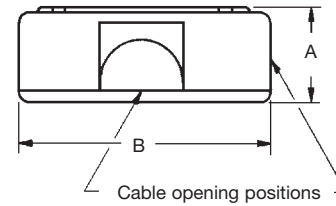
# CABLE ADAPTERS (HOODS/BACKSHELLS)

D-Sub  
Accessories

## PLASTIC CABLE ADAPTER (HOOD) CODE W



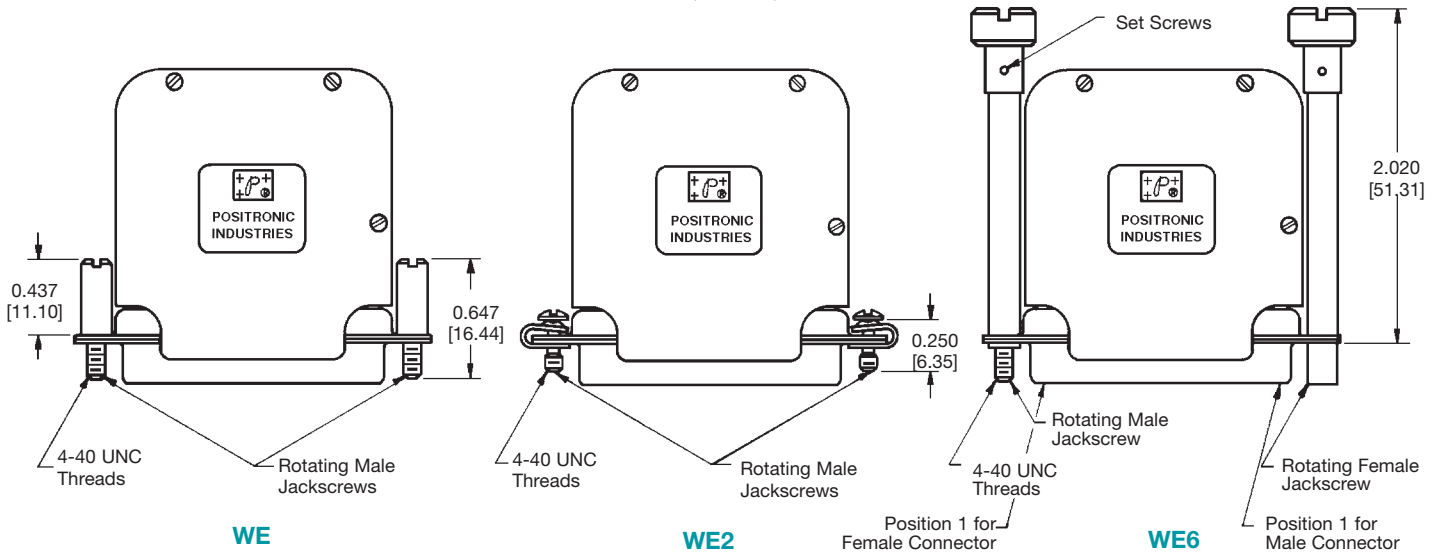
SD25M10WE20 (left) and RD25S10W00 (right) shown above.



PART NUMBER (Shell Size)	A	B	C	CABLE OPENING	
				MINIMUM	MAXIMUM
<b>D9000W00</b> (Shell Size 1)	0.630 [16.00]	0.770 [19.56]	1.800 [45.72]	R 0.093 [2.36]	R 0.093 [2.36]
<b>D15000W00</b> (Shell Size 2)	0.630 [16.00]	1.100 [27.94]	1.800 [45.72]	R 0.125 [3.18]	R 0.456 [3.96]
<b>D25000W00</b> (Shell Size 3)	0.630 [16.00]	1.622 [41.20]	1.800 [45.72]	R 0.125 [3.18]	R 0.250 [6.35]

Material: Polypropylene 94V-0.

## PLASTIC CABLE ADAPTER (HOOD) WITH ROTATING JACKSCREWS CODE WE, WE2, AND WE6



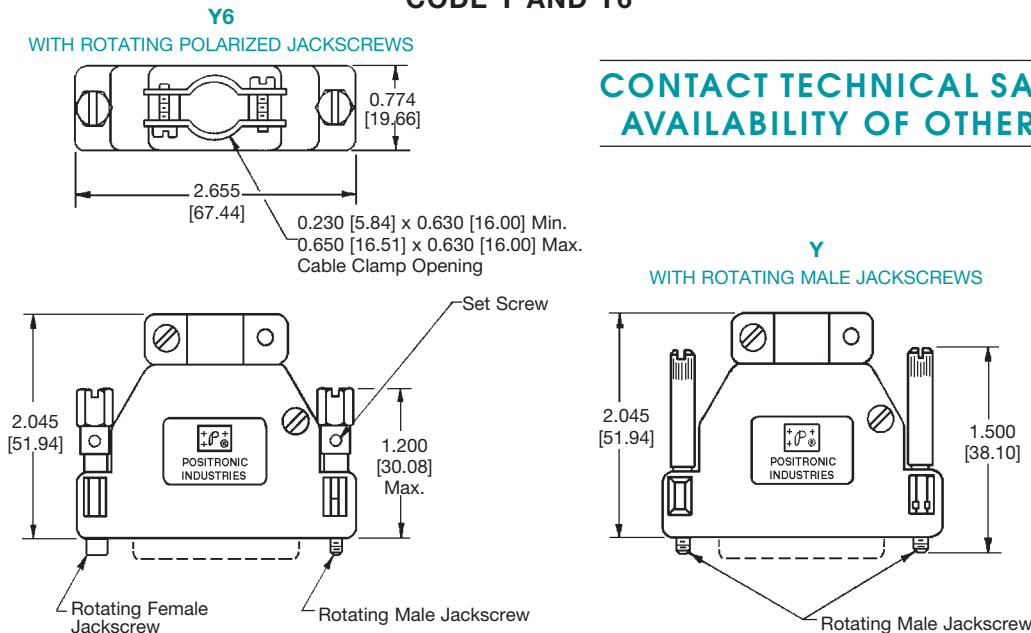
**Material:**  
**Cable adapter:** Polypropylene 94V-0.  
**Jackscrew:** Steel with zinc plate and chromate seal or tin plate; stainless steel, passivated.

**Material:**  
**Cable adapter:** Polypropylene 94V-0.  
**Jackscrew:** Steel with zinc plate and chromate seal or tin plate; stainless steel, passivated.  
**U-Clip:** Spring steel with zinc plate and chromate seal or tin plate; stainless steel, passivated.

**Material:**  
**Cable adapter:** Polypropylene 94V-0.  
**Jackscrew:** Steel with zinc plate and chromate seal or tin plate; stainless steel, passivated.  
**Spacer & Knob:** Aluminum, yellow chromate conversion.



## SIZE 50 PLASTIC CABLE ADAPTER (HOOD) WITH ROTATING JACKSCREWS CODE Y AND Y6



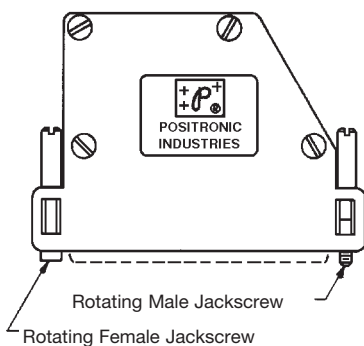
CONTACT TECHNICAL SALES FOR  
AVAILABILITY OF OTHER SIZES.

- Material: Cable adapter:** Composite, conductive volume resistivity [1.0 ohm-cm max.].  
**Attenuation** - 40+ decibels.  
**Alternate material** - Glass-filled nylon, UL 94V-0.  
**Jackscrews** - Steel with zinc plate and chromate seal or tin plate; stainless steel, passivated.  
**Cable Clamps** - Steel, nickel plated.

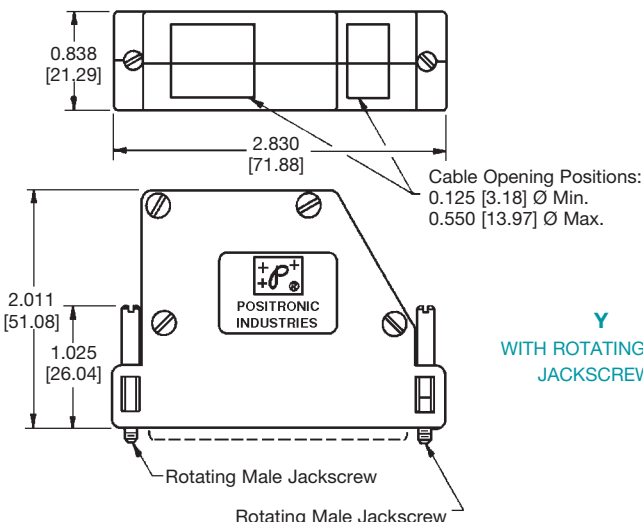
## SIZE 104 COMPOSITE CABLE ADAPTER (HOOD) WITH ROTATING JACKSCREWS CODE Y AND Y6

- Material: Cable adapter:** Composite, conductive volume resistivity [1.0 ohm-cm max.].  
**Attenuation:** 40+ decibels.  
**Alternate material:** Glass-filled nylon, UL 94V-0.  
**Jackscrews:** Steel with zinc plate and chromate seal.  
 Y6 knobs: stainless steel, passivated.

**Y6**  
WITH ROTATING POLARIZED JACKSCREWS



CABLE OPENING INSERT TREE



**Y**  
WITH ROTATING MALE JACKSCREWS

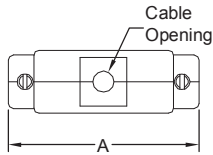
DIMENSIONS ARE IN INCHES [MILLIMETERS].  
ALL DIMENSIONS ARE SUBJECT TO CHANGE.



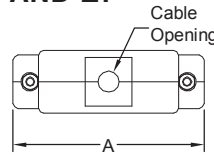
## EMI/RFI COMPOSITE CABLE ADAPTERS (HOODS) WITH JACKSCREWS

EXTENDED HEIGHT, BOTH TOP AND SIDE CABLE OPENINGS FOR LARGE DIAMETER SHIELDED AND POWER CONTACTS

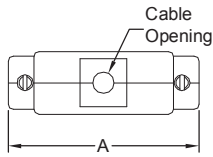
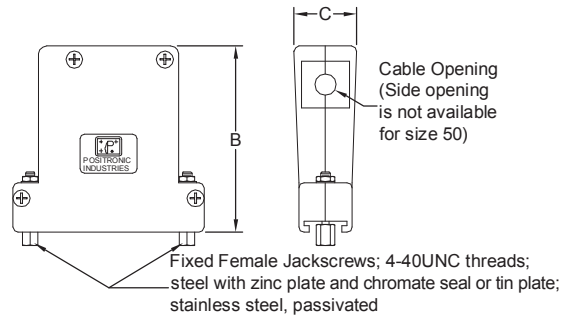
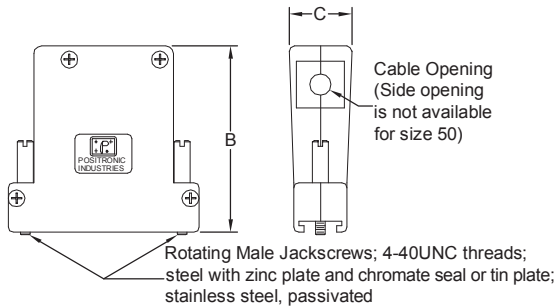
### CODE Z, Z4, Z6, AND Z7



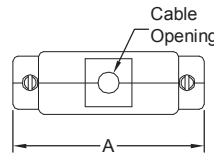
**CODE Z - COMPOSITE CABLE ADAPTER WITH ROTATING MALE JACKSCREWS**



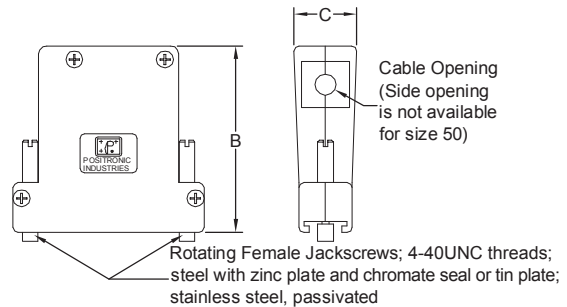
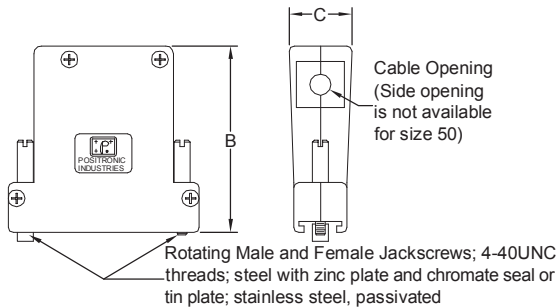
**CODE Z4 - COMPOSITE CABLE ADAPTER WITH FIXED FEMALE JACKSCREWS**



**CODE Z6 - COMPOSITE CABLE ADAPTER WITH ROTATING MALE AND FEMALE JACKSCREWS**



**CODE Z7 - COMPOSITE CABLE ADAPTER WITH ROTATING FEMALE JACKSCREWS**



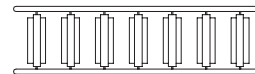
**Material:** Composite, conductive volume resistivity [1.0 ohm-cm max.], UL94V-0. Attenuation: 40+ decibels.

**Alternate Material:** Glass filled nylon, UL94V-0.

### TYPICAL INSERTS



Various inserts are provided to accommodate different cable sizes.



### INSERT TREE ASSEMBLY



SHELL SIZE	PART NUMBER	A	B	C	CABLE OPENING		
					MIN.	MAX.	
1	D9000Z00	1.387 [35.23]	1.935 [49.15]	0.735 [18.67]	0.100 [2.54]	0.400 [10.16]	0.570 [14.48]
	D9000Z400						
	D9000Z600						
	D9000Z700						
2	D15000Z00	1.715 [43.56]	1.935 [49.15]	0.735 [18.67]	0.100 [2.54]	0.400 [10.16]	0.570 [14.48]
	D15000Z400						
	D15000Z600						
	D15000Z700						
3	D25000Z00	2.254 [57.25]	2.200 [55.88]	0.735 [18.67]	0.100 [2.54]	0.550 [13.97]	0.570 [14.48]
	D25000Z400						
	D25000Z600						
	D25000Z700						
4	D37000Z00	2.903 [73.74]	2.200 [55.88]	0.735 [18.67]	0.100 [2.54]	0.550 [13.97]	0.570 [14.48]
	D37000Z400						
	D37000Z600						
	D37000Z700						
5	D50000Z00	2.809 [71.35]	2.700 [68.58]	0.900 [22.86]	0.100 [2.54]	Ø	0.630 [16.00]
	D50000Z400						
	D50000Z600						
	D50000Z700						

# POSITRONIC CABLIZED CONNECTORS

## SAVE TIME AND MONEY!

Let Positronic support you by cablizing your  
**D-subminiature** connector selection.

### Cable Assembly Design Support

We work closely with customers to:

1. Design assemblies in accordance with customer specifications.
2. Prepare cablized connector configuration and performance specifications.
3. Design each system in accordance with applicable customer, domestic, and international standards.
4. Define and conduct performance and verification testing.



**Technical Sales Support**



**Engineering Support**



**Puerto Rico Cable Assembly**



**Quality Assurance**

FOR MORE DETAILS CONTACT **TECHNICAL SALES**  
OR VISIT OUR **WEB SITE** AT:  
**[HTTP://WWW.CONNECTPOSITRONIC.COM/  
PRODUCTS/47/CABLEASSEMBLIES](http://www.connectpositronic.com/products/47/cableassemblies)**



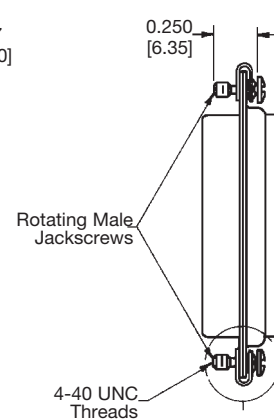
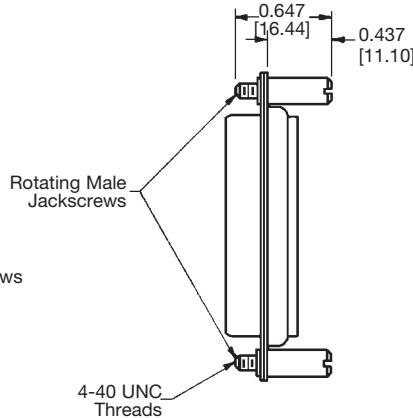
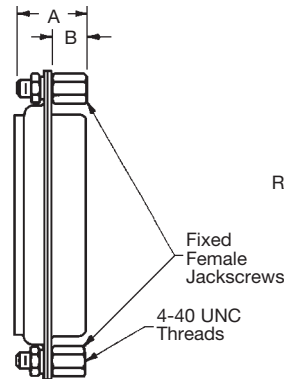
## JACKSCREW SYSTEMS CODE T, T2, T3, T4, T5, E, E2, AND E3

T<sup>\*1</sup> / T2<sup>\*1</sup> / T3<sup>\*1</sup> / T4<sup>\*1</sup> / T5<sup>\*1</sup>

E / E3

E2

CODE	A	B
T <sup>*3</sup>	0.437 [11.10]	0.250 [6.35]
T2 <sup>*3</sup>	0.500 [12.70]	0.198 [5.03]
T3	0.812 [20.60]	0.198 [5.03]
T4	0.445 [11.30]	0.220 [5.59]
T5	0.448 [11.38]	0.198 [5.03]



### FIXED FEMALE JACKSCREWS

**Material:**<sup>\*2</sup> T, T4, and T5 = Copper alloy or steel with zinc plate and chromate seal or tin plate; stainless steel, passivated.

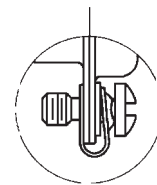
T2 and T3 = Steel with zinc plate and chromate seal or tin plate; stainless steel, passivated.

### ROTATING MALE JACKSCREWS

**Material:**<sup>\*2</sup> Steel with zinc plate and chromate seal or tin plate; stainless steel, passivated.

E = slotted for screw driver  
E3 = rotating male with internal hex for 3/32 hex drives

### ROTATING MALE SCREW LOCKS



**Material:**<sup>\*2</sup>

**Screw:** Steel with zinc plate and chromate seal or tin plate; stainless steel, passivated.

**U-Clip:** Spring steel with zinc plate and chromate seal or tin plate; stainless steel, passivated.

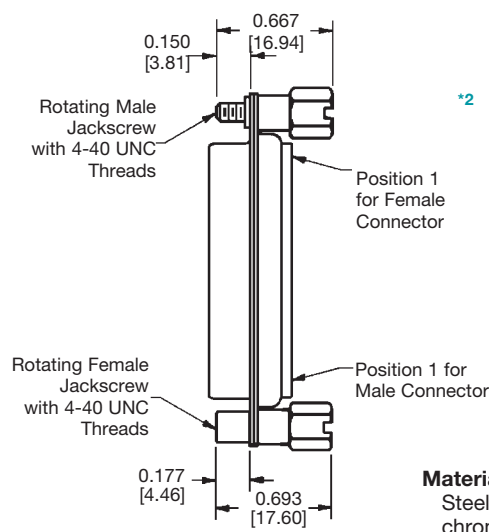
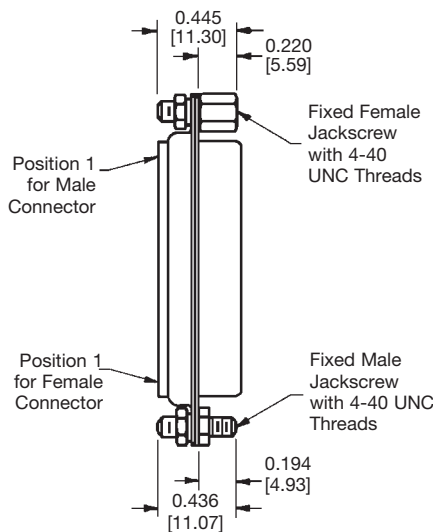
### NOTES:

- <sup>\*1</sup> T, T2, T3, T4 or T5 jackscrew supplied on connectors in combination with other accessories may differ dimensionally, contact Technical Sales for more information.
- <sup>\*2</sup> T, T2, T3, T4, T5, E, E2 or E3 - Passivated stainless steel jackscrews available. Contact Technical Sales for ordering information.
- <sup>\*3</sup> Internal thread length of T & T2 jackscrews is 0.120 [3.05] nominal.

## CODING DEVICE (KEYING) JACKSCREW SYSTEMS CODE T6 AND E6

T6

E6<sup>\*2</sup>



### FIXED MALE AND FEMALE JACKSCREWS

### ROTATING MALE AND FEMALE JACKSCREWS

**Material:**<sup>\*1</sup>

**Male jackscrews:** Steel with zinc plate and chromate seal or tin plate; stainless steel, passivated.

**Female jackscrews:** Copper alloy with zinc plate and chromate seal or tin plate; stainless steel, passivated.

### NOTES:

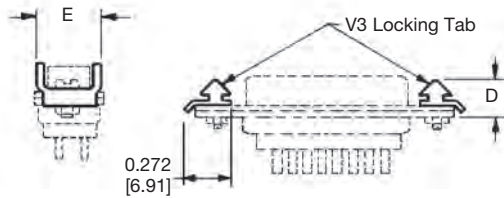
- <sup>\*1</sup> T6 or E6 passivated stainless steel jackscrews available. Contact Technical Sales for ordering information.
- <sup>\*2</sup> For customer installations of knobs onto jackscrews, recommend set screw torque value of 16 in/oz. Recommend application of thread lock to set screw.

**Material:**<sup>\*1</sup>

Steel with zinc plate and chromate seal or tin plate; stainless steel, passivated.



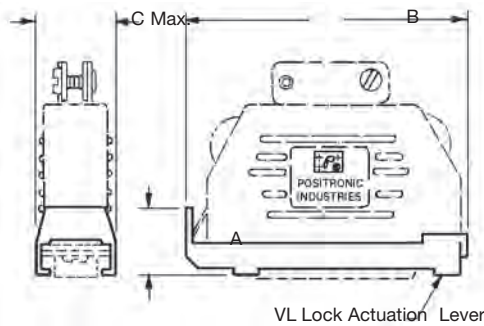
## FRONT MOUNTED LOCKING TABS QUICK DISCONNECT LOCKING DEVICE CODE V3



**Material:** Steel or copper alloy, nickel plate.

SHELL SIZE	PART NO.	D	E
1	D9/370000V30	0.270 [6.85]	0.465 [11.81]
2	D9/370000V30	0.270 [6.85]	0.465 [11.81]
3	D9/370000V30	0.270 [6.85]	0.465 [11.81]
<b>SPECIAL SIZE 29</b>	<b>D290000V30</b>	0.270 [6.85]	0.585 [14.86]
4	D9/370000V30	0.270 [6.85]	0.465 [11.81]
5	D500000V30	0.270 [6.85]	0.585 [14.86]

## LOCK ACTUATION LEVER QUICK DISCONNECT LOCKING DEVICE CODE VL

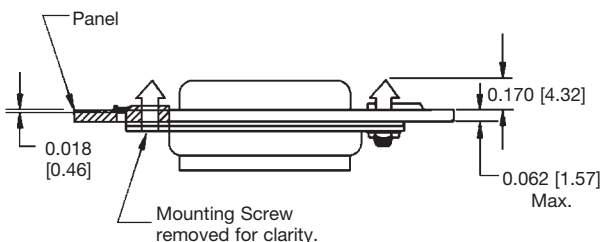
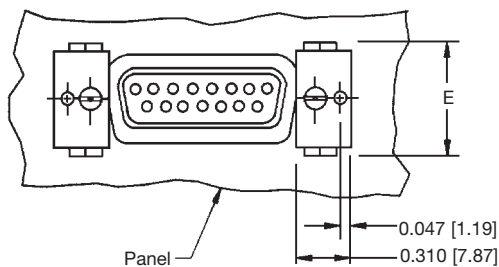


May be used  
with *Front or  
Back Mounted  
Locking Tabs,*  
see above and  
below.

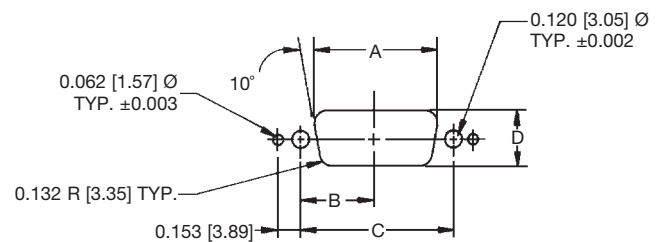
**Material:** Steel, nickel plate.

SHELL SIZE	PART NUMBER	A	B	C MAX.
1	D90000VL0	0.615 [15.62]	1.460 [37.08]	0.600 [15.24]
2	D150000VL0	0.615 [15.62]	1.770 [44.96]	0.600 [15.24]
3	D250000VL0	0.615 [15.62]	2.360 [59.94]	0.600 [15.24]
<b>SPECIAL SIZE 29</b>	<b>D290000VL0</b>	0.615 [15.62]	2.030 [51.56]	0.715 [18.16]
4	D370000VL0	0.615 [15.62]	3.020 [76.71]	0.600 [15.24]
5	D500000VL0	0.635 [16.13]	2.900 [73.66]	0.710 [18.03]

## BACK MOUNTED LOCKING TABS QUICK DISCONNECT LOCKING DEVICE CODE V5



**Material:** Steel, nickel plate.



PANEL CUTOUT

SHELL SIZE	PART NUMBER	A	B	C	D	E
1	D9/370000V50	0.806 [20.47]	0.492 [12.50]	0.984 [24.99]	0.449 [11.40]	0.465 [11.81]
2	D9/370000V50	1.134 [29.80]	0.656 [16.66]	1.312 [33.32]	0.449 [11.40]	0.465 [11.81]
3	D9/370000V50	1.674 [42.52]	0.926 [23.52]	1.852 [47.04]	0.449 [11.40]	0.465 [11.81]
<b>SPECIAL SIZE 29</b>	<b>D290000V50</b>	1.356 [34.44]	0.767 [19.48]	1.534 [38.96]	0.555 [14.10]	0.585 [14.86]
4	D9/370000V50	2.326 [59.08]	1.250 [31.75]	2.500 [63.50]	0.449 [11.40]	0.465 [11.81]
5	D500000V50	2.218 [56.34]	1.203 [30.56]	2.406 [61.11]	0.555 [14.10]	0.585 [14.86]

DIMENSIONS ARE IN INCHES [MILLIMETERS].  
ALL DIMENSIONS ARE SUBJECT TO CHANGE.



Positronic Industries  
connectpositronic.com

# UNIQUE FEATURES



D-Sub  
Accessories

## U N I Q U E F E A T U R E S



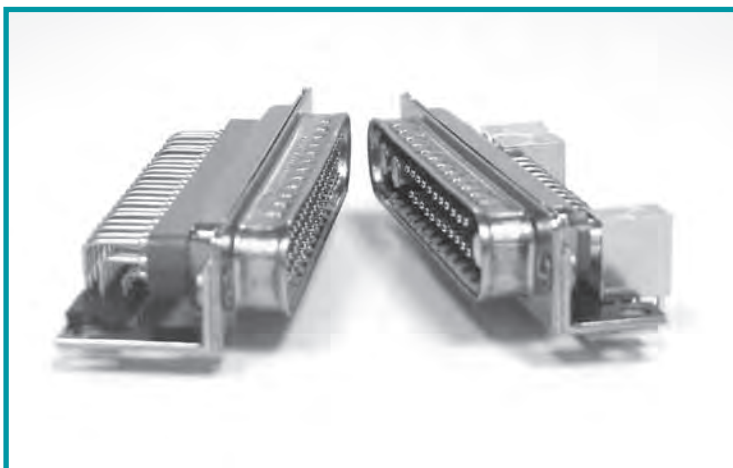
Positronic Industries is **known** around the world **for offering** our customers **flexibility** when choosing connectors.

In addition to allowing **customers** to **create** part numbers for **particular applications**, Positronic offers a **wide variety** of features and accessories within our products.

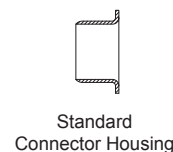
Positronic is also **eager** to modify existing products **to meet unique customer requirements**. If you do not find what you need with this catalog, please contact us for assistance.

### FLARED CONNECTOR HOUSING (SHELLS)

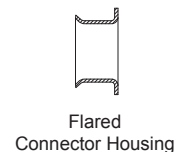
Flared connector housings provide a more **generous misalignment** characteristics than standard D-subminiature connector housings.



SIDE VIEWS OF FLARED CONNECTOR HOUSING (SHELL) FOR DD62M4R7000-1503.33 (shown left) and CBD25W3M85R7000-1503.33 (shown right)



Standard Connector Housing



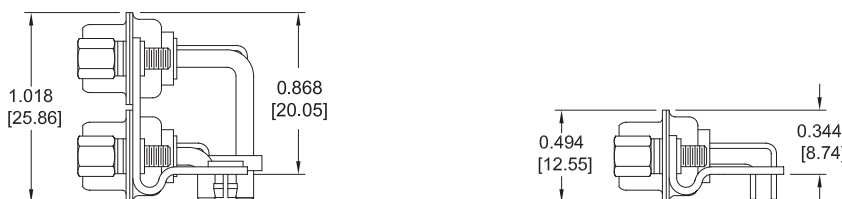
Flared Connector Housing

CONTACT TECHNICAL SALES FOR  
PART NUMBERS AND DETAIL INFORMATION



## LOW PROFILE MOUNTING BRACKET

Allows reduced distance from the top of the printed circuit board to the top of the connector compared to standard mounting brackets.



**Mounting bracket material:** Brass with zinc plate and chromate seal or tin plate.

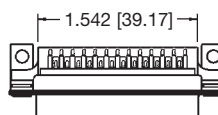
## CONTACT TECHNICAL SALES FOR MORE INFORMATION

## CAPTIVE ALIGNMENT BARS

FOR ROBOTIC "PICK AND PLACE" APPLICATIONS

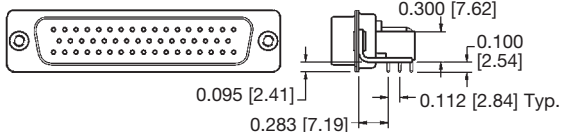
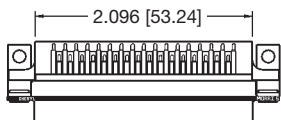
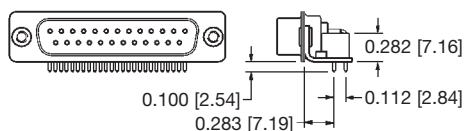
FOR MD-SERIES CONNECTORS, ADD THE SUFFIX "\*\*1298.3" TO THE END OF THE PART NUMBER.  
FOR ODD-SERIES CONNECTORS, ADD THE SUFFIX "1298.4" TO THE END OF THE PART NUMBER.

**Material:** Polyphenylenesulfide.

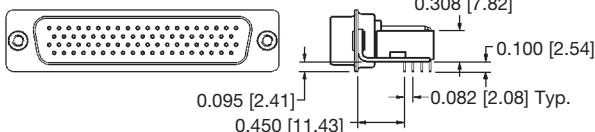
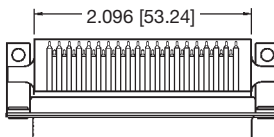


**TYPICAL PART NUMBER:**  
MD25M5R7000-1298.3

## CONTACT TECHNICAL SALES FOR MINIMUM ORDER QUANTITIES AND PRODUCTION LEAD TIMES



**TYPICAL PART NUMBER:**  
MD50F5R7000-1298.3



**TYPICAL PART NUMBER:**  
ODD78F5R7000-1298.4

DIMENSIONS ARE IN INCHES [MILLIMETERS].  
ALL DIMENSIONS ARE SUBJECT TO CHANGE.



Positronic Industries  
connectpositronic.com

# UNIQUE FEATURES



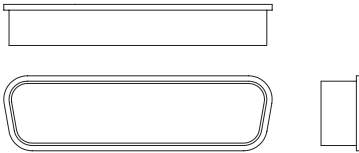
D-Sub  
Accessories

## PROTECTIVE COVER

SUPPLIED AS STANDARD WITH ALL WD AND WDD SERIES CONNECTORS

### COVER WITHOUT EARS

FOR CONNECTORS WITHOUT FIXED JACKSCREWS



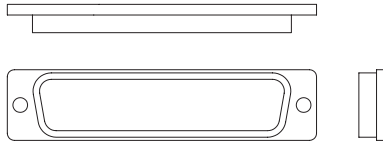
**Material:** Conductive polyethylene  
**Color:** Black

**Optional:**

**Material:** Static dissipative ethylene vinyl acetate  
**Color:** Pink

### COVER WITH EARS

FOR CONNECTORS WITH FIXED JACKSCREWS



**Material:** Conductive polyester  
**Color:** Black

SHELL SIZE	GENDER	CONDUCTIVE REPLACEMENT PART NUMBER WITHOUT EARS	STATIC DISSIPATIVE REPLACEMENT PART NUMBER WITHOUT EARS	REPLACEMENT PART NUMBER WITH EARS
1	Male	4931-9-0-0	4931-9-1-0	4931-9-100-0
	Female	4932-9-0-0	4932-9-1-0	4932-9-100-0
2	Male	4931-15-0-0	4931-15-1-0	4931-15-100-0
	Female	4932-15-0-0	4932-15-1-0	4932-15-100-0
3	Male	4931-25-0-0	4931-25-1-0	4931-25-100-0
	Female	4932-25-0-0	4932-25-1-0	4932-25-100-0
4	Male	4931-37-0-0	4931-37-1-0	4931-37-100-0
	Female	4932-37-0-0	4932-37-1-0	4932-37-100-0
5	Male	4931-50-0-0	4931-50-1-0	4931-50-100-0
	Female	4932-50-0-0	4932-50-1-0	4932-50-100-0
6	Male	---	---	4931-16-100-0
	Female	---	---	4932-16-100-0

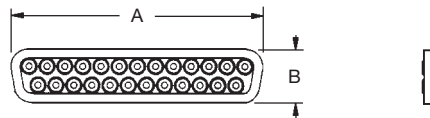


## INTERFACIAL SEAL

AVAILABLE FOR MALE CONNECTORS ONLY

SUPPLIED AS STANDARD WITH ALL MALE WD AND WDD SERIES CONNECTORS

CONNECTOR ARRANGEMENTS (SHELL SIZE)	A	B
9 / 15 (Shell Size 1)	0.678 [17.22]	0.338 [8.59]
15 / 26 (Shell Size 2)	1.002 [25.45]	0.338 [8.59]
25 / 44 (Shell Size 3)	1.550 [39.37]	0.338 [8.59]
37 / 62 (Shell Size 4)	2.189 [55.60]	0.338 [8.59]
50 / 78 (Shell Size 5)	2.085 [52.96]	0.446 [11.33]



CONTACT ARRANGEMENT SIZE 25  
INTERFACIAL SEAL  
(SHOWN FOR REFERENCE ONLY)

**Material:** Thermoplastic Elastomer (TPE), Santoprene™ or equivalent.

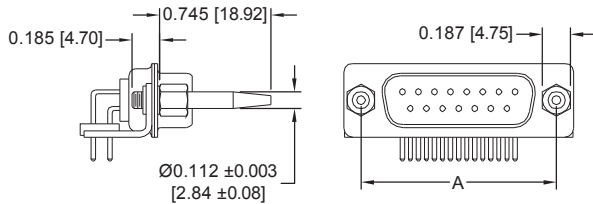
CONTACT TECHNICAL SALES  
FOR PART NUMBERS



BLIND MATING SYSTEM

BLIND MATING GUIDE PINS

TO OBTAIN BLIND MATING GUIDE PINS, ADD THE SUFFIX  
“-759.0” TO THE END OF THE PART NUMBER.



TYPICAL PART NUMBER:  
MD15M5R7000-759.0

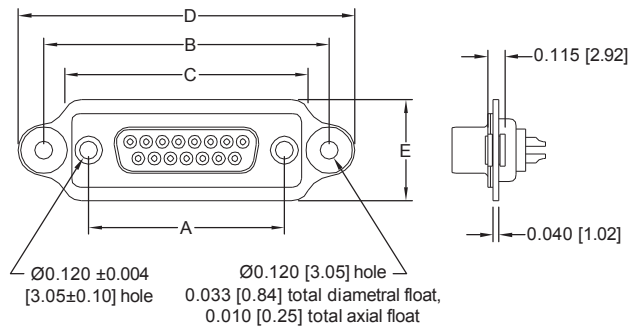
Material: Steel with zinc plate and chromate seal or tin plate; stainless steel, passivated



RD9S1000-759.1 and  
HDC9M3S6000-14-759.0

FLOAT MOUNTING PLATE

TO OBTAIN FLOAT MOUNTING PLATE, ADD THE SUFFIX  
“-759.1” TO THE END OF THE PART NUMBER.



TYPICAL PART NUMBER:  
MD15F20000-759.1

Material: Aluminum, yellow anodize standard.  
Black anodize available.



ODD26M20000-759.1 and  
ODD26F4R700S-759.0

SHELL SIZE	A	B	C	D	E
1	0.984 [24.99]	1.586 [40.28]	1.333 [33.86]	1.930 [49.02]	0.677 [17.20]
2	1.312 [33.22]	1.914 [48.62]	1.661 [42.19]	2.258 [57.35]	0.677 [17.20]
3	1.852 [47.04]	2.461 [62.51]	2.208 [56.08]	2.805 [71.25]	0.677 [17.20]
SPECIAL SIZE 29	1.534 [38.96]	2.146 [54.43]	1.890 [48.01]	2.487 [63.17]	0.789 [20.04]
4	2.500 [63.50]	3.102 [78.79]	2.849 [72.36]	3.446 [87.53]	0.677 [17.20]
5	2.406 [61.11]	3.008 [76.40]	2.755 [69.98]	3.352 [85.14]	0.789 [20.04]

CONTACT TECHNICAL SALES FOR ADDITIONAL ORDERING INFORMATION

Visit our website for the latest catalog updates and supplements at  
<http://www.connectpositronic.com/products/58/D-subminiatureAccessories/catalogs/>



Positronic Industries  
connectpositronic.com

# UNIQUE FEATURES

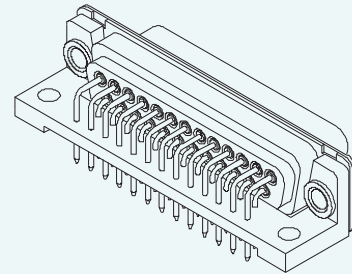
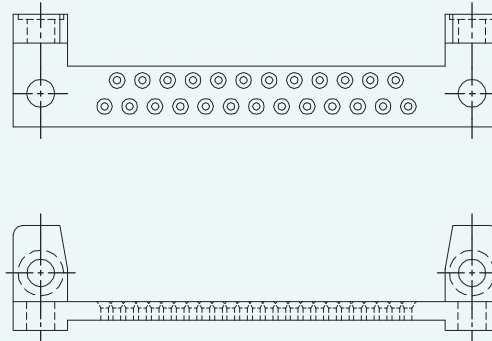


D-Sub  
Accessories

## SWAGEABLE PLASTIC MOUNTING BRACKET WITH ALIGNMENT BAR

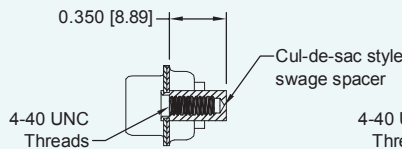


Non-conductive mounting brackets are necessary in many applications. Consult Technical Sales for complete part number.

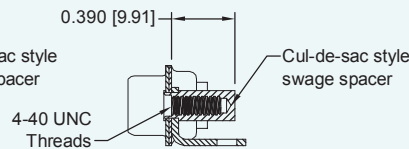


## CUL-DE-SAC STYLE MOUNTING ACCESSORIES CODE C5 AND C7

**C5**  
FIXED CABLE CONNECTOR



**C7**  
RIGHT ANGLE (90°)  
PRINTED BOARD MOUNT



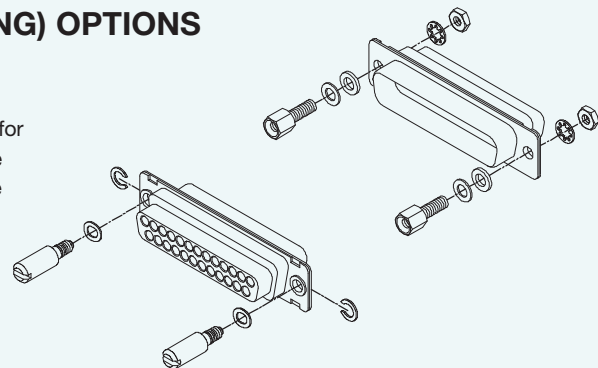
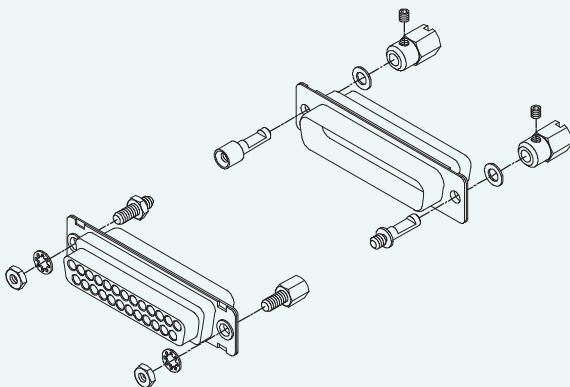
Material: Steel with zinc plate and chromate seal or tin plate; stainless steel, passivated.



## CODING DEVICE (KEYING) OPTIONS

### UP TO EIGHT CODING DEVICE OPTIONS!

Jackscrews can be supplied in configurations to allow for up to four coding device options, as shown in the table below. An additional four coding device options can be achieved by reversing the connector genders.



OPTION <sup>*1</sup>	MALE CONNECTOR	CODE <sup>*2</sup>	FEMALE CONNECTOR	CODE <sup>*2</sup>
1	2 male rotating	E	2 female fixed	T
2	2 female rotating	E6-833.7	2 male fixed	T6-866.1
3	1 female, 1 male rotating	E6	1 male, 1 female fixed	T6
4	1 male, 1 female rotating	E6-1827.1	1 female, 1 male fixed	T6-827.0

**NOTE:** <sup>\*1</sup> Additional 4 options achieved by switching male and female connectors.

<sup>\*2</sup> For jackscrew dimensional information see page 27.

# Connector Excellence<sup>®</sup>

## Positronic HIGH RELIABILITY Products

### POWER



#### FEATURES:

- High current density
- Energy saving - low contact resistance
- Hot swap capability
- AC/DC operation in a single connector
- Signal contacts for hardware management
- Blind mating
- Sequential mating
- Large surface area contact mating system
- Wide variety of accessories
- Customer-specified contact arrangements
- Modular tooling which produces a single piece connector insert

**Contact Sizes:** 0, 8, 12, 16, 20, 22 and 24  
**Current Ratings:** To 200 amperes per contact  
**Terminations:** Crimp and fixed cable connector, straight solder, right angle (90°) solder, straight compliant press-in and right angle (90°) compliant press-in  
**Configurations:** Multiple variants in a variety of package sizes  
**Compliance:** PICMG 2.11, PICMG 3.0, VITA 41, DSCC, GSFC S-311-P-4, GSFC S-311-P-10

### D - SUBMINIATURE



#### FEATURES:

- Four performance levels available for best cost/performance ratio: professional, industrial, military and space-flight quality
- Options include high voltage, coax, thermocouple and air coupling contacts; environmentally sealed and dual port connector packages including mixed density
- Broad selection of accessories
- Size 20 and 22 contacts suitable for use in carrying power
- IP65, IP67

**Contact Sizes:** 8, 16, 20 and 22  
**Current Ratings:** To 100 amperes  
**Terminations:** Crimp, wire solder, straight solder, right angle (90°) solder, straight compliant press-in and right angle (90°) compliant press-in housing sizes  
**Configurations:** Multiple variants in both standard and high densities, seven connector housing sizes  
**Qualifications:** MIL-DTL-24308, GSFC S-311-P-4, GSFC S-311-P-10, SAE AS39029, DSCC

### RECTANGULAR



#### FEATURES:

- Two performance levels available: industrial quality and military quality
- A wide variety of accessories
- Broad selection of contact arrangement and package sizes
- Connector coding device (keying) options

**Contact Sizes:** 16, 20 and 22  
**Current Ratings:** To 13 amperes nominal  
**Terminations:** Crimp, wire solder, straight solder, right angle (90°) solder, and straight compliant press-in  
**Configurations:** Multiple variants in both standard and high densities, thirty package sizes  
**Qualifications:** MIL-DTL-28748, SAE AS39029, CCITT V.35

### CIRCULAR



#### FEATURES:

- Non-corrodible / lightweight composite construction
- EM/RFI shielded versions
- Thermocouple contacts
- Environmentally sealed versions
- Rear insertion/ front release of removable contacts
- Two level sequential mating
- Overmolding available on full assemblies

**Contact Sizes:** 12, 16, 20 and 22  
**Current Ratings:** To 25 amperes nominal  
**Terminations:** Crimp, wire solder, straight solder, and right angle (90°) solder  
**Configurations:** Multiple variants in four package sizes  
**Qualifications:** Environmental protection to IP67

### CABLE



#### FEATURES:

- Shorten the supply chain and reduce additional costs and delays by "cablizing" your Positronic connector selection
- Overmolding available
- Shielded and environmentally sealed versions available
- Power cables and access boxes which meet the SAE J2496 specification

- ✓ Design assemblies in accordance with customer specifications.
- ✓ Prepare cablized connector configuration and performance specifications.
- ✓ Design each system in accordance with applicable customer, domestic, and international standards.
- ✓ Define and conduct performance and verification testing.

### HERMETIC



#### FEATURES:

- Intended for use as an electrical feedthrough in high vacuum applications
- Leakage rate: <math>5 \times 10^{-9}</math> mbar.l/s under a vacuum <math>1.5 \times 10^{-2}</math> mbar
- Signal, power, coax and high voltage versions available
- Connectors can be mounted on flange assembly per customer specification

**Contact Sizes:** 8, 12, 16, 20 and 22  
**Current Ratings:** To 40 amperes nominal  
**Terminations:** Feedthrough is standard; flying leads and board mount available upon request  
**Configurations:** See D-subminiature and circular configurations above  
**Compliance:** Space-D32

For more information, visit [www.connectpositronic.com](http://www.connectpositronic.com) or call your nearest Positronic sales office listed on the back of this catalog.

## **NORTH AMERICAN LOCATIONS**

### **UNITED STATES, Springfield, Missouri, Corporate Headquarters**

Factory Sales and Engineering Offices 800 641 4054 info@connectpositronic.com

### **PUERTO RICO, Ponce Factory**

Factory Sales and Engineering Office 800 641 4054 info@connectpositronic.com

### **MEXICO**

Factory Sales and Engineering Office 800 872 7674 info@connectpositronic.com

### **CANADA**

Factory Sales and Engineering Office 800 327 8272 info@connectpositronic.com

## **ASIA/PACIFIC LOCATIONS**

### **SINGAPORE, Asia/Pacific Headquarters**

Factory Sales and Engineering Offices 65 6842 1419 singapore@connectpositronic.com

### **ASIA, Direct Sales Offices**

China - Zhuhai Factory and Sales Office	86 756 3626 466	zhuhai@connectpositronic.com
Shenzhen Sales Office	86 756 3626 466	shenzhen@connectpositronic.com
Shanghai Sales Office	86 158 2907 9779	shanghai@connectpositronic.com
Xian Sales Office	86 29 8839 5306	xian@connectpositronic.com
Beijing Sales Office	86 10 8203 7718	beijing@connectpositronic.com
Korea Sales Office	82 31 909 8047	korea@connectpositronic.com
Taiwan Sales Office	886 2 2937 8775	taiwan@connectpositronic.com

### **JAPAN, Direct Sales Offices**

Sales and Engineering Offices 81 3 5619 8072 japan@connectpositronic.com

### **INDIA, Direct Sales Offices**

Factory Sales and Engineering Offices	91 20 2439 4810	india@connectpositronic.com
Bangalore Sales Office	91 94 4907 3251	bangalore@connectpositronic.com
New Delhi Sales Office	91 80 1071 1175	delhi@connectpositronic.com

### **ASIA/PACIFIC, Technical Agents**

Technical Agents in Australia, Hong Kong, Malaysia, New Zealand, Philippines, Thailand and Vietnam.

## **EUROPEAN LOCATIONS**

### **FRANCE, Auch Factory, European Headquarters**

Factory Sales and Engineering Offices 33 5 6263 4491 contact@connectpositronic.com

### **EUROPE, Direct Sales Offices**

North France Sales Office	33 1 4588 1388	jchalaux@connectpositronic.com
South France Sales Office	33 5 6263 4491	plafon@connectpositronic.com
Eire + Northern Ireland	33 5 6263 4557	tauvin@connectpositronic.com
Italy Sales Office	39 02 5411 6106	rmagni@connectpositronic.com
Germany Sales Office	49 23 5163 4739	cbouche@connectpositronic.com
UK Sales Office	44 1242 897 493	lbridwell@connectpositronic.com

### **EUROPE & MIDEAST, Technical Agents**

Technical Agents in Austria, Benelux, Eastern Europe Countries, Greece, Ireland, Israel, Russia, Scandinavia, Spain, Switzerland, Turkey, Ukraine and the United Kingdom.



### **POSITRONIC INDUSTRIES, INC.**

423 N Campbell Avenue • PO Box 8247 • Springfield, MO 65801  
Tel (417) 866-2322 • Fax (417) 866-4115 • Toll Free (800) 641-4054 • info@connectpositronic.com

### **POSITRONIC INDUSTRIES, S.A.S.**

Zone Industrielle D'Engachies • 46 Route D'Engachies • F-32020 Auch Cedex 9 France  
Telephone 33 5 6263 4491 • Fax 33 5 6263 5117 • contact@connectpositronic.com

### **POSITRONIC ASIA PTE LTD.**

3014A Ubi Road 1 #07-01 • Singapore 408703  
Telephone 65 6842 1419 • Fax 65 6842 1421 • singapore@connectpositronic.com

For most current sales office information, please visit [http://www.connectpositronic.com/contact/sales\\_offices.html](http://www.connectpositronic.com/contact/sales_offices.html)

LOCAL OFFICES

[www.connectpositronic.com](http://www.connectpositronic.com)