

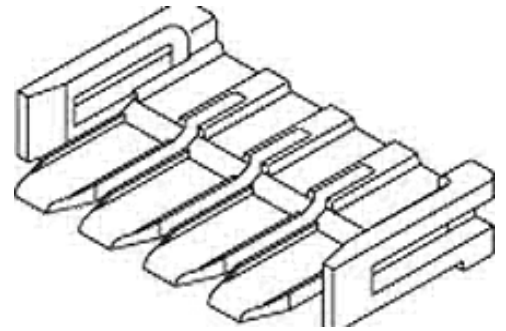
**Part Number :** [513480413](#)

**Product Description :** 3.30mm Pitch Wire-to-Wire Terminal Position Assurance (TPA) Retainer, 4 Circuits

**Series Number :** 51348

**Status :** Not Recommended For New Design

**Product Category :** Connector Accessories



---

## Documents and Resources

### Drawings

[513480413\\_sd.pdf](#)


### Specifications

[PS-51347-001-001.pdf](#)

---

## Product Environment Compliance

### Compliance

GADSL/IMDS	Not Relevant
China RoHS	 per SJ/T 11365-2006
EU ELV	Not Relevant
Low-Halogen Status	Not Low-Halogen per IEC 61249-2-21
REACH SVHC	Not Contained per D(2025)7771-DC (04 Feb 2026)
EU RoHS	Compliant per EU 2015/863

### Compliance Statements

- EU RoHS
- REACH SVHC
- Low-Halogen

### Industry Documents

- IPC 1752A Class C
- IPC 1752A Class D
- Molex Product Compliance Declaration
- IEC-62474
- chemSHERPA (xml)

## Substances of Interest

- PFAS

## EU RoHS Certificate of Compliance

## Additional Product Compliance Information

---

### Part Details

#### General

Status	Not Recommended For New Design
Category	Connector Accessories
Series	51348
Description	3.30mm Pitch Wire-to-Wire Terminal Position Assurance (TPA) Retainer, 4 Circuits
Component Type	Terminal Position Assurance (TPA)
Product Name	N/A
UPC	756054809532

#### Electrical

Current - Maximum per Contact	4.0A
-------------------------------	------

#### Physical

Circuits (Loaded)	4
Circuits (maximum)	4
Color - Resin	Yellow
Material - Resin	Nylon
Net Weight	255.000/mg
Number of Rows	1
Packaging Type	Bag
Temperature Range - Operating	-25° to +85°C

### Mates With / Use With

#### Use with Part(s)

Description	Part Number
-------------	-------------

3.30mm Pitch Receptacle Housings	<u>51347</u>
-------------------------------------	--------------

---

This document was generated on Apr 29, 2026