

SAC-5P-5,0-PUR/AD-2L - Sensor/actuator cable



1693500

<https://www.phoenixcontact.com/us/products/1693500>

Please be informed that the data shown in this PDF document is generated from our online catalog. Please find the complete data in the user documentation. Our general terms of use for downloads are valid.



Sensor/actuator cable, 5-position, PUR halogen-free, black-gray RAL 7021, free cable end, on Valve connector AD (pressure switch), with 2 LEDs, Wiring: unwired, cable length: 5 m

Your advantages

- Easy and safe: 100 % electrically tested plug-in components
- Our standard: robust halogen-free PUR cable

Commercial data

| | |
|--------------------------------------|--------------------------------|
| Item number | 1693500 |
| Packing unit | 1 pc |
| Note | Made to order (non-returnable) |
| Sales key | BF07 |
| Product key | AF1DBA |
| GTIN | 4017918173357 |
| Weight per piece (including packing) | 419.5 g |
| Weight per piece (excluding packing) | 402.4 g |
| Customs tariff number | 85444190 |
| Country of origin | DE |

SAC-5P-5,0-PUR/AD-2L - Sensor/actuator cable



1693500

<https://www.phoenixcontact.com/us/products/1693500>

Technical data

Product properties

| | |
|----------------------|--|
| Product type | Sensor/actuator cable with valve connector |
| Number of positions | 5 |
| No. of cable outlets | 1 |
| Shielded | no |

Insulation characteristics

| | |
|----------------------|----|
| Overvoltage category | II |
| Degree of pollution | 3 |

Connection data

Conductor connection

| | |
|-------------------|--------------------------|
| Tightening torque | 0.6 Nm (Valve connector) |
|-------------------|--------------------------|

Material specifications

| | |
|--|------|
| Flammability rating according to UL 94 | HB |
| Seal material | TPU |
| Material housing valve plug | TPU |
| Contact material | CuSn |
| Contact surface material | Ag |
| Contact carrier material | PBT |
| Contact material | CuSn |
| Valve plug contact insert material | PBT |
| Contact surface material | Ag |

Electrical properties

| | |
|-----------------------|----------------------------|
| Insulation resistance | $\geq 100 \text{ M}\Omega$ |
| Nominal voltage U_N | 24 V |
| Nominal current I_N | 4 A |

Signaling

| | |
|------------------------|--------|
| Status display | 2 LEDs |
| Status display present | yes |

Connector

Connection 1

| | |
|------|----------------|
| Type | free cable end |
|------|----------------|

Connection 2

| | |
|----------|--------------------------------------|
| Type | Valve connector AD (pressure switch) |
| Material | CuSn (Contact) |
| | Ag (Contact surface) |

SAC-5P-5,0-PUR/AD-2L - Sensor/actuator cable



1693500

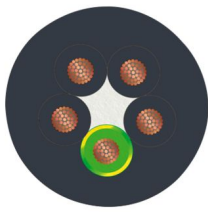
<https://www.phoenixcontact.com/us/products/1693500>

| | |
|--------------------|-----------------------|
| | PBT (Contact carrier) |
| | TPU (Housing) |
| Protective circuit | unwired |

Cable/line

| | |
|--------------|-----|
| Cable length | 5 m |
|--------------|-----|

PUR halogen-free black [PUR]

| | |
|---|---|
| Dimensional drawing |  |
| Cable weight | 44.8 kg/km |
| UL AWM Style | 20549 |
| Number of positions | 5 |
| Shielded | no |
| Cable type | PUR halogen-free black [PUR] |
| Conductor structure signal line | 28x 0.15 mm |
| AWG signal line | 20 |
| Conductor cross section | 5x 0.5 mm ² |
| Wire diameter incl. insulation | 1.5 mm ±0.05 mm (Signal line) |
| External cable diameter | 5.30 mm ±0.02 mm |
| Outer sheath, material | PUR |
| External sheath, color | black-gray RAL 7021 |
| Conductor material | Bare Cu litz wires |
| Material wire insulation | PP |
| Single wire, color | black 1, black 2, black 3, black 4, green/yellow |
| Overall twist | 5 cores, twisted |
| Max. conductor resistance | 39 Ω/km (at 20 °C) |
| Insulation resistance | min. 20 MΩ*km |
| Nominal voltage, cable | ≤ 300 V |
| Test voltage | ≥ 1200 V |
| Minimum bending radius, fixed installation | 5 x D |
| Minimum bending radius, flexible installation | 10 x D |
| Smallest bending radius, fixed installation | 26.5 mm |
| Smallest bending radius, movable installation | 53 mm |
| Dynamic load capacity (bending) | Max. bending cycles: 15000000, Bending radius: 50 mm, Traversing path: 0.9 m, Traversing rate: 5 m/s, Acceleration: 30 m/s ² |
| Halogen-free | in accordance with DIN VDE 0472 part 815 |
| Flame resistance | in accordance with DIN UL-Style 20549 |

SAC-5P-5,0-PUR/AD-2L - Sensor/actuator cable



1693500

<https://www.phoenixcontact.com/us/products/1693500>

| | |
|---------------------------------|---|
| Resistance to oil | in accordance with DIN EN 60811-2-1 |
| Other resistance | Highly resistant to acids, alkaline solutions and solvents |
| | hydrolysis and microbe resistant |
| | largely oil-resistant |
| | partly UV-resistant (in accordance with DIN EN ISO 4892-2-A) |
| Special properties | Flexible cable conduit capable |
| | Silicone-free |
| | Free of substances which would hinder coating with paint or varnish |
| Ambient temperature (operation) | -40 °C ... 80 °C (cable, fixed installation) |
| | -20 °C ... 80 °C (Cable, flexible installation) |

Environmental and real-life conditions

Ambient conditions

| | |
|---|--|
| Degree of protection | IP65 |
| | IP67 |
| Ambient temperature (operation) (Valve connector) | -20 °C ... 85 °C (Valve connector) |
| Ambient temperature (operation) (fixed installation) | -30 °C ... 80 °C (cable, fixed installation) |
| Ambient temperature (operation) (flexible installation) | -5 °C ... 70 °C (Cable, flexible installation) |

Standards and regulations

Valve connector

| | |
|--------------------------|-----------------|
| Standard designation | Valve connector |
| Standards/specifications | EN 175301-803 |

SAC-5P-5,0-PUR/AD-2L - Sensor/actuator cable

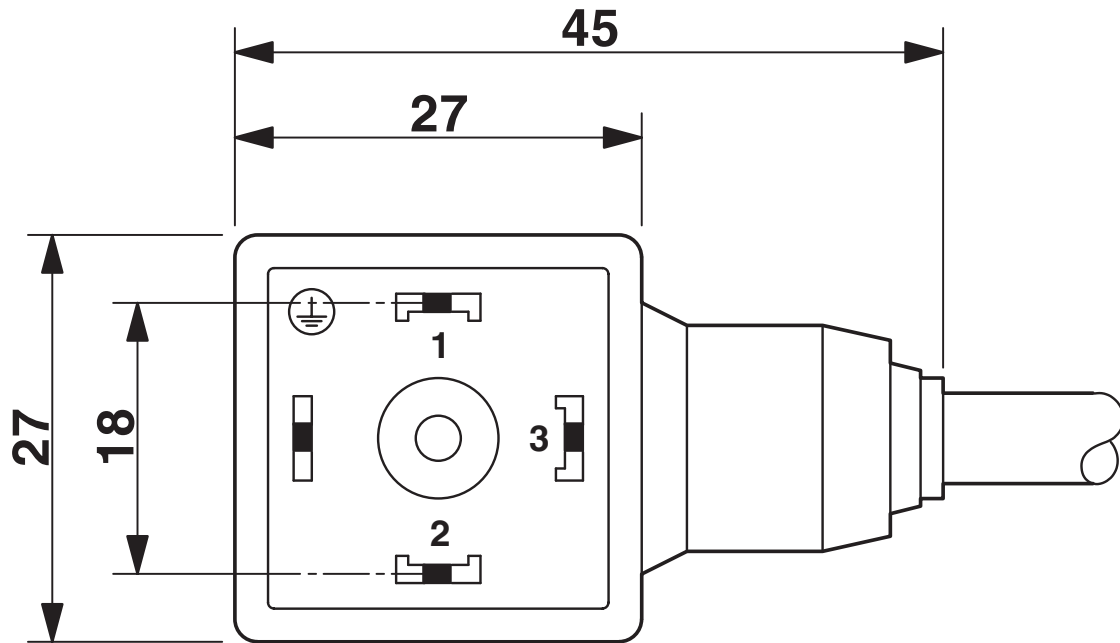


1693500

<https://www.phoenixcontact.com/us/products/1693500>

Drawings

Dimensional drawing



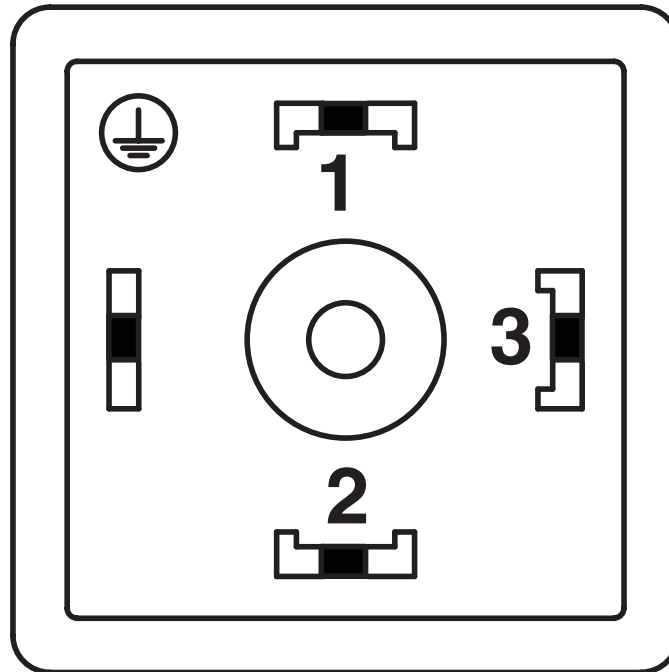
Valve connector, type AD

SAC-5P-5,0-PUR/AD-2L - Sensor/actuator cable

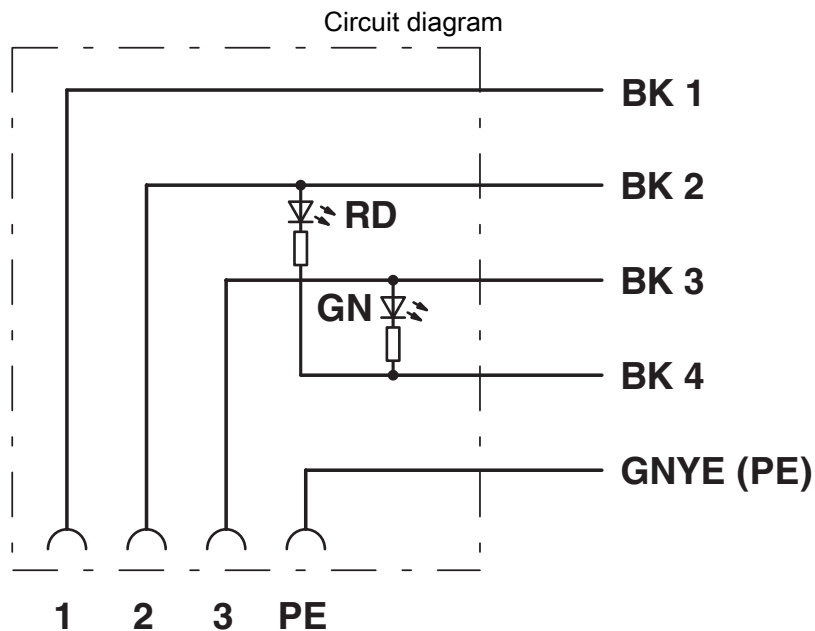
1693500

<https://www.phoenixcontact.com/us/products/1693500>

Schematic diagram



Valve plug connector pin assignment, type AD



Contact assignment of valve connector

SAC-5P-5,0-PUR/AD-2L - Sensor/actuator cable



1693500

<https://www.phoenixcontact.com/us/products/1693500>

Classifications

ECLASS

| | |
|-------------|----------|
| ECLASS-13.0 | 27060312 |
| ECLASS-15.0 | 27060312 |

SAC-5P-5,0-PUR/AD-2L - Sensor/actuator cable



1693500

<https://www.phoenixcontact.com/us/products/1693500>

Environmental product compliance

China RoHS

| | |
|--|---|
| Environment friendly use period (EFUP) | EFUP-50 |
| | An article-related China RoHS declaration table can be found in the download area for the respective article under "Manufacturer declaration". For all articles with EFUP-E, no China RoHS declaration table issued and required. |

EU REACH SVHC

| | |
|-------------------------------------|----------------------------|
| REACH candidate substance (CAS No.) | No substance above 0.1 wt% |
|-------------------------------------|----------------------------|

Phoenix Contact 2025 © - all rights reserved
<https://www.phoenixcontact.com>

Phoenix Contact USA
586 Fulling Mill Road
Middletown, PA 17057, United States
(+717) 944-1300
info@phoenixcon.com