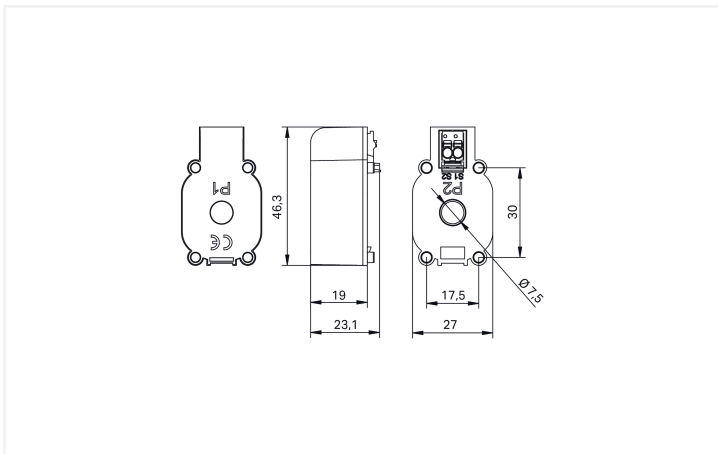
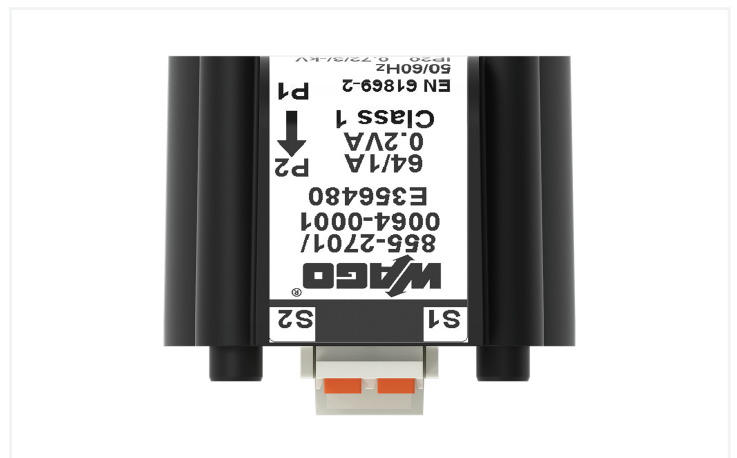


Data Sheet | Item Number: 855-2701/064-001

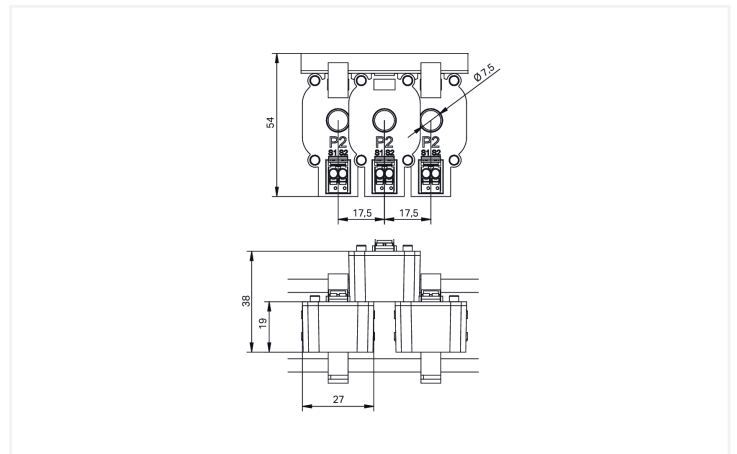
Plug-in current transformer; Primary rated current: 64 A; Secondary rated current: 1 A;

Rated power: 0.2 VA; Accuracy class: 1

<https://www.wago.com/855-2701/064-001>



Dimensions in mm



Dimensions in mm

Short description:

WAGO's plug-in current transformers (855 Series) are inductive, single-conductor current transformers. Due to the measurement principle used, these current transformers are exclusively designed for AC network applications.

Features:

- All-new design with *picoMAX*® connection technology
- Ready for space-restricted applications

- Simple assembly permits 17.5 mm phase spacing, allowing perfect adjustment to any circuit breaker.
- Easily mount on DIN-rail or panels via DIN-rail adapter (855-9927)
- Convert current from 64 A or 35 A to 1 A
- Accuracy class: 1

Technical data

Input

Measured variable	Current
-------------------	---------

Input – current transformer

Rated continuous thermal current I_{cth}	100 %
Rated short-time thermal current I_{th}	$60 \times I_N / 1 \text{ s}$
Rated surge current I_{dyn}	$2.5 \times I_{th}$
Rated frequency	50 ... 60 Hz
Primary rated current	64 A

Output – current transformer

Secondary rated current	1 A
Rated power S_r	0.2 VA

Measurement Error

Accuracy class	1
----------------	---

Safety and protection

Protection type	IP20
Test voltage	3 kVAC; 50 Hz; 1 min
Highest voltage for equipment U_m	$720 V_{rms} AC$

Connection Data

Feedthrough for measurement conductor	$\varnothing 7.5 \text{ mm}$
---------------------------------------	------------------------------

Connection 1

Connection technology	Push-in CAGE CLAMP®
WAGO connector	<i>picoMAX</i> ® 3.5, 2091-1122
Strip length	8 ... 9 mm / 0.31 ... 0.35 inches
Solid conductor	0.2 ... 1.5 mm ² / 24 ... 14 AWG
Fine-stranded conductor	0.2 ... 1.5 mm ² / 24 ... 14 AWG

Physical data

Width	27 mm / 1.063 inches
Height	46 mm / 1.811 inches
Depth	23 mm / 0.906 inches

Mechanical data

Mounting type	Closed current transformer Mounting on DIN-rail via DIN-rail adapter Installation on round cable
---------------	--

Material data

Insulation class	E
Housing material	PA 66
Weight	44 g

Environmental requirements

Ambient temperature (operation)	-10 ... +55 °C
Ambient temperature (storage)	-20 ... +70 °C
Relative humidity	5 ... 85 % (without condensation)
Operating altitude (max.)	2000 m

Standards and Specifications

Conformity marking	CE
Standards/specifications	EN 61869-1 EN 61869-2 UL

Commercial data

PU (SPU)	15 (1) pcs
Packaging type	Box
Country of origin	NL
Customs tariff number	85043129900

Product Classification

UNSPSC	39121032
eCl@ss 10.0	27-21-09-02
eCl@ss 9.0	27-21-09-02
ETIM 9.0	EC002048
ETIM 10.0	EC002048
ECCN	NO US CLASSIFICATION

Environmental Product Compliance

RoHS Compliance Status	Compliant, No Exemption
------------------------	-------------------------

Approvals / Certificates

General approvals



Approval	Standard	Certificate Name
EAC GZO Almaty Standart	TP TC 004/2011	EAC CoC 03082
UL Underwriters Laboratories Inc.	IEEE C57.13	E356480

Declarations of conformity and manufacturer's declarations

Approval	Standard	Certificate Name
EU-Declaration of Conformity WAGO GmbH & Co. KG	-	-

Downloads

Environmental Product Compliance

Compliance Search	
Environmental Product Compliance 855-2701/064-001	↓

Documentation

Bid Text			
855-2701/064-001	19.02.2019	xml 5.16 KB	↓
855-2701/064-001	21.07.2015	doc 31.00 KB	↓

Instruction Leaflet	
Aufsteck-Stromwandler mit picoMAX - Steckverbinder	pdf 320.75 KB ↓

CAD/CAE-Data

CAD data	
2D/3D Models 855-2701/064-001	↓

CAE data	
EPLAN Data Portal 855-2701/064-001	↓
WSCAD Universe 855-2701/064-001	↓
ZUKEN Portal 855-2701/064-001	↓

1 Compatible Products

1.1 Optional Accessories

1.1.1 Installation

1.1.1.1 Current transformer terminal block



Item No.: 2007-8876
Compact terminal block; for 3-phase current transformer circuit; 6,00 mm²; multicoloured



Item No.: 2007-8873
Compact terminal block; for current and voltage transformers; 6,00 mm²; multicoloured



Item No.: 2007-8874
Compact terminal block; for current and voltage transformers; 6,00 mm²; multicoloured



Item No.: 2007-8875
Compact terminal block; for current transformer circuit; 6,00 mm²; multicoloured



Item No.: 2007-8877
Compact terminal block; for current transformer circuit; 6,00 mm²; multicoloured

1.1.2 Mounting adapter

1.1.2.1 DIN-rail adapter



Item No.: 855-9927

Carrier rail adapter

1.1.3 Signal conditioner

1.1.3.1 Current Signal Conditioner



Item No.: 857-550

Current signal conditioner; Current input signal; Current and voltage output signal; Digital output; Configuration via software; Supply voltage: 24 VDC; 6 mm module width; 2,50 mm²

1.1.3.2 Power Measurement Module



Item No.: 2857-570/024-001

3-Phase Power Measurement Module; 3x277/480 V/1 A; Modbus RTU; Digital output; Configuration via software; Supply voltage: 24 VDC

1.1.4 Tool

1.1.4.1 Operating tool

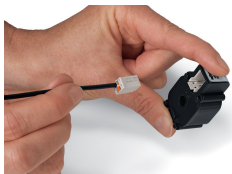


Item No.: 210-719

Operating tool; Blade: 2.5 x 0.4 mm; with a partially insulated shaft

Installation Notes

Conductor termination



Push-in termination of solid conductors and fine-stranded conductors with ferrules



Universal connection for fine-stranded conductors

Installation



Just slide together.



To save space, mount directly above the circuit breaker.



Mounting on DIN-rail via 855-9927 DIN-Rail Adapter