

For surface mount (banana plug jack)

Banana plug jack for surface mount [part number BH-6-15]

- It is a jack that is attached to the surface mounting substrate.
- I will comply with the banana plug [BN Series]
- Power, Please use for signal extraction.
- Material brass
- Processing nickel base, gold-plated
- Rated current 15A
- Fit plug [BN series](#)
- Operating temperature range - 40 ~ + 150 °C

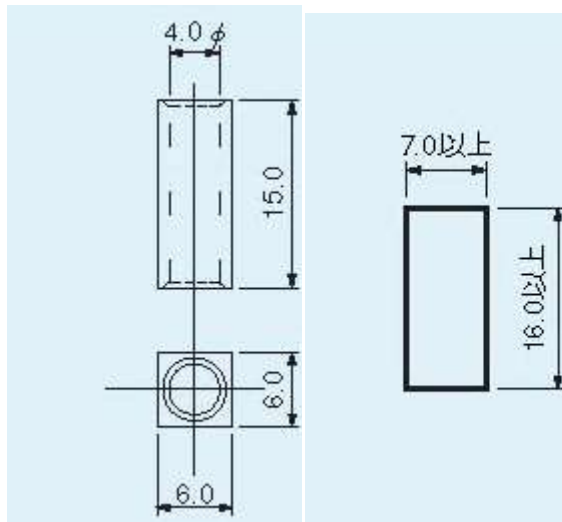


Part number	Packing Specifications
BH-6-15	Roses (1 pack 10 pieces)
BH-6-15-T	Reel (1 reel 150 pieces)

■ Example

■ Dimensions

■ Recommended land diameter



[BN series](#)

