

Data Sheet | Item Number: 221-612

Splicing connector with levers; for all conductor types; max. 6 mm²; 2-conductor; transparent housing; Surrounding air temperature: max 85°C (T85); 6,00 mm²; transparent

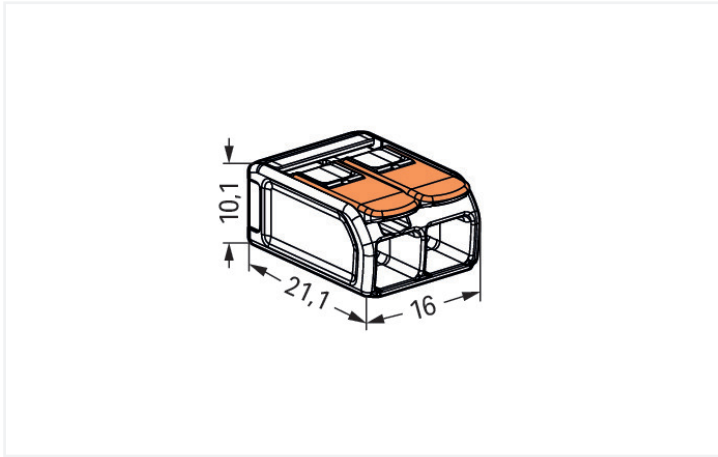


<https://www.wago.com/221-612>



Color: transparent





Dimensions in mm

Splicing connector with levers, 221 Series, transparent

Our splicing connector with levers (item number 221-612) ensures effortless electrical installations. From intercom system wiring to electric ovens—connecting different conductor types is quick and easy with WAGO's practical 221 Series splicing connector. Strip lengths must be between 12 and 14 mm when connecting conductors to splicing connector with levers. Our splicing connector is rated for 450 V and is designed to handle a rated current of up to 41 A. As such, it is suitable for high-load applications. Featuring conductor terminals along with CAGE CLAMP®, this product is highly versatile. Our CAGE CLAMP® connection provides a safe and maintenance-free way to connect all types of conductors. You do not need to prepare the conductor in any way, such as crimping ferrules. The item's dimensions are (16 x 10.1 x 21.1) mm (width x height x depth). Depending on the type of conductor, splicing connector with levers is suitable for conductor cross sections ranging from 0.5 mm² to 6 mm².

WAGO's 221 Series Splicing Connector with levers impresses with its innovative design for different conductor cross-sections. That's why WAGO's lever-equipped splicing connector holds a unique trademark within electrical interconnection technology. The flat levers, which fit seamlessly into the 221's base, act like a cast when closed and can be positioned neatly in any housing without disturbing edges. Due to the wide design of each lever, they can all be operated perfectly without tools for convenient conductor terminations. The transparent housing displays robust technology and enables immediate visual inspection for the correct contact of solid, stranded and fine-stranded conductors. Resembling piano keys, the levers' design perfectly combines the functional and aesthetic connection technology "Made by WAGO." This product is designed for specific Ex applications (please refer to the product datasheet).

| Notes | |
|-----------------------------------|---|
| <p>General safety information</p> | <p>NOTICE: Observe installation and safety instructions!</p> <ul style="list-style-type: none"> • Only to be used by electricians! • Do not work under voltage/load! • Use only for proper use! • Observe national regulations/standards/guidelines! • Observe technical specifications for the products! • Observe the number of permissible potentials! • Do not use damaged/dirty components! • Observe conductor types, cross-sections and strip lengths! • Insert conductor until it hits the product's backstop! • Use original accessories! <p>To be sold only with installation instructions!</p> |

Safety Information

in grounded power lines

| Electrical data | | | | | | | |
|---------------------------------|-----|-----|-----------------------|---------------|---|-------|---|
| Ratings per EN 60664 | | | Approvals per UL 486C | | | | |
| Overtoltage category | III | III | II | Use group | B | C | D |
| Pollution degree | 3 | 2 | 2 | Rated voltage | - | 600 V | - |
| Nominal voltage | - | - | 450 V | Rated current | - | 30 A | - |
| Rated impulse withstand voltage | - | - | 4 kV | | | | |
| Rated current | - | - | 41 A | | | | |

General information

| | |
|------------------|-------------------|
| Wiring direction | Side-entry wiring |
|------------------|-------------------|

Connection Data

| | |
|----------------------------|---|
| Clamping units | 2 |
| Total number of potentials | 1 |

Connection 1

| | |
|---------------------------------|---|
| Connection technology | CAGE CLAMP® |
| Actuation type | Lever |
| Connectable conductor materials | Copper |
| Nominal cross-section | 6 mm ² / 10 AWG |
| Solid conductor | 0.5 ... 6 mm ² / 20 ... 10 AWG |
| Stranded conductor | 0.5 ... 6 mm ² / 20 ... 10 AWG |
| Fine-stranded conductor | 0.5 ... 6 mm ² / 20 ... 10 AWG |
| Strip length | 12 ... 14 mm / 0.47 ... 0.55 inches |
| Wiring direction | Side-entry wiring |

Physical data

| | |
|--------|------------------------|
| Width | 16 mm / 0.63 inches |
| Height | 10.1 mm / 0.398 inches |
| Depth | 21.1 mm / 0.831 inches |

Material data

| | |
|------------------------------------|--|
| Note (material data) | Information on material specifications can be found here |
| Color | transparent |
| Cover color | transparent |
| Material group | IIIa |
| Insulation material (main housing) | Polycarbonate (PC) |
| Flammability class per UL94 | V2 |
| Fire load | 0.056 MJ |
| Actuator color | orange |
| Weight | 3 g |

Environmental requirements

| | |
|----------------------------------|--------|
| Ambient temperature (operation) | +85 °C |
| Continuous operating temperature | 105 °C |
| Temperature marking per EN 60998 | T85 |

Commercial data

| | |
|-----------------------|---------------|
| PU (SPU) | 500 (50) pcs |
| Packaging type | Box |
| Country of origin | CH |
| GTIN | 4055143704168 |
| Customs tariff number | 85369010000 |

Product Classification

| | |
|-------------|----------------------|
| UNSPSC | 39121409 |
| eCl@ss 10.0 | 27-14-11-04 |
| eCl@ss 9.0 | 27-14-11-04 |
| ETIM 9.0 | EC000446 |
| ETIM 10.0 | EC000446 |
| ECCN | NO US CLASSIFICATION |

Environmental Product Compliance

| | |
|------------------------|-------------------------|
| RoHS Compliance Status | Compliant, No Exemption |
|------------------------|-------------------------|

Approvals / Certificates

General approvals



| Approval | Standard | Certificate Name |
|---|-----------|------------------|
| CB DEKRA Certification B.V. | IEC 60998 | NL-114612 |
| cULus_Listed_667F Underwriters Laboratories Inc. | UL 486C | E69654 |
| ENEC 05 DEKRA Certification B.V. | EN 60998 | 71-152265 |
| UL Underwriters Laboratories Inc. | UL 467 | E201573 |

Declarations of conformity and manufacturer's declarations

| Approval | Standard | Certificate Name |
|---|----------|------------------|
| EU-Declaration of Confor- mity WAGO GmbH & Co. KG | - | - |
| UK-Declaration of Confor- mity WAGO GmbH & Co. KG | - | - |

Approvals for marine applications



| Approval | Standard | Certificate Name |
|---|----------|-------------------|
| ABS American Bureau of Ship- ping | EN 60998 | 23-2417173-PDA |
| LR Lloyds Register | EN 60998 | LR2446364TA |
| PRS Polski Rejestr Statków | EN 60998 | TE/1093/880590/23 |

Downloads

Environmental Product Compliance

Compliance Search

Environmental Product
Compliance 221-612



Documentation

| Bid Text | | | |
|----------------------------|------------|------------------|-------------------|
| 221-612 | 19.02.2019 | xml 3.47 KB | ↓ |
| 221-612 | 23.01.2019 | docx 15.62 KB | ↓ |
| ausschreiben.de 221-612 | | | ↓ |

CAD/CAE-Data

| CAD data | CAE data |
|--|--|
| 2D/3D Models 221-612 ↓ | EPLAN Data Portal 221-612 ↓ |
| | ZUKEN Portal 221-612 ↓ |

1 Compatible Products

1.1 Optional Accessories

1.1.1 General accessories

1.1.1.1 Moisture protection



Item No.: 207-1431

Gelbox; Branch; for cables; with gel; 221 Series; max. 6 mm² connectors; without splicing connectors; Size 1; gray



Item No.: 207-1432

Gelbox; Branch; for cables; with gel; 221 Series; max. 6 mm² connectors; without splicing connectors; Size 2; gray



Item No.: 207-1433

Gelbox; Branch; for cables; with gel; 221 Series; max. 6 mm² connectors; without splicing connectors; Size 3; gray

1.1.2 Jumper

1.1.2.1 Jumper



Item No.: 221-941/000-006

Jumper; for conductor entry; 2-way; insulated; blue



Item No.: 221-942/000-006

Jumper; for conductor entry; 2-way; insulated; blue



Item No.: 221-941

Jumper; for conductor entry; 2-way; insulated; dark gray



Item No.: 221-942

Jumper; for conductor entry; 2-way; insulated; dark gray

1.1.3 Mounting adapter

1.1.3.1 Mounting accessories



Item No.: 221-510/000-006

Mounting carrier; 221 Series - 6 mm²; for DIN-35 rail mounting/screw mounting; blue



Item No.: 221-510/000-053

Mounting carrier; 221 Series - 6 mm²; for DIN-35 rail mounting/screw mounting; dark gray-yellow

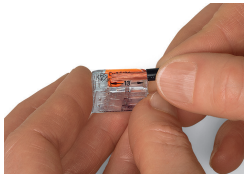


Item No.: 221-510

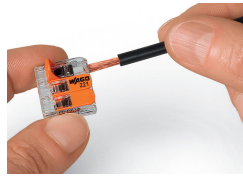
Mounting carrier; 221 Series - 6 mm²; for DIN-35 rail mounting/screw mounting; orange

Installation Notes

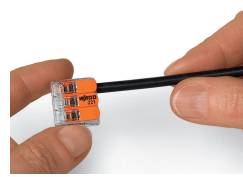
Conductor termination



Strip conductor to 12 ... 14 mm.

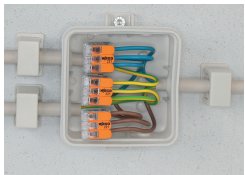


Termination: Lift the lever to open the clamping unit and insert a stripped conductor.



Then, lower the lever to close the clamp.

Application



Wiring fine-stranded conductors in junction boxes.



Custom low-voltage lighting system



Lighting distribution in a ceiling canopy



Pendant light connection in a suspended ceiling



COMPACT Splicing Connectors for All Conductor Types (6 mm²), 221 Series