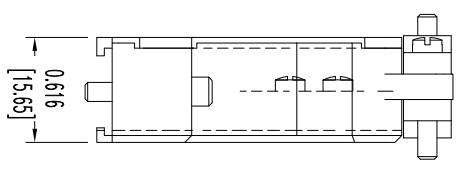
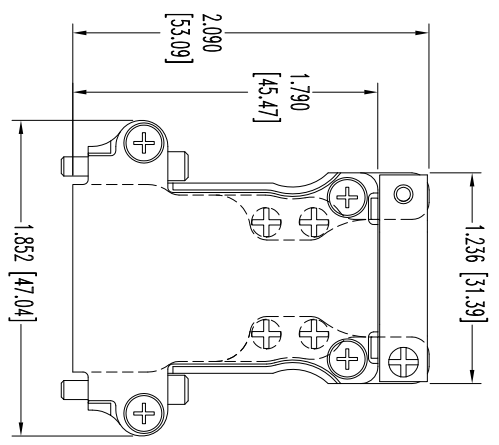
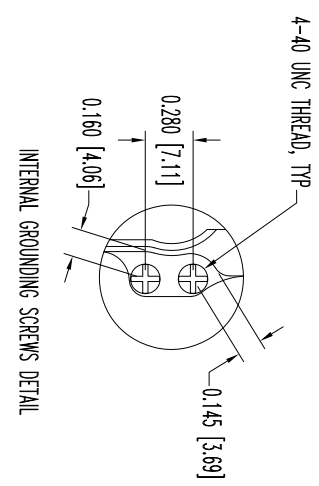
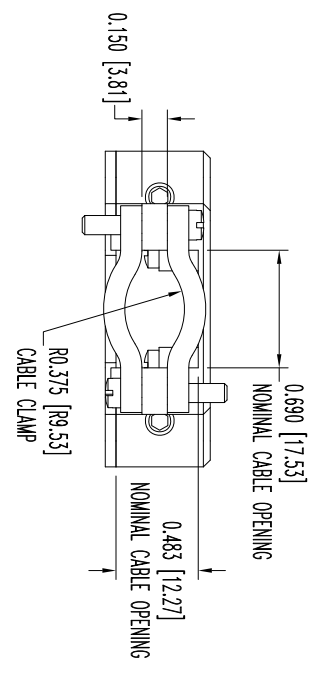
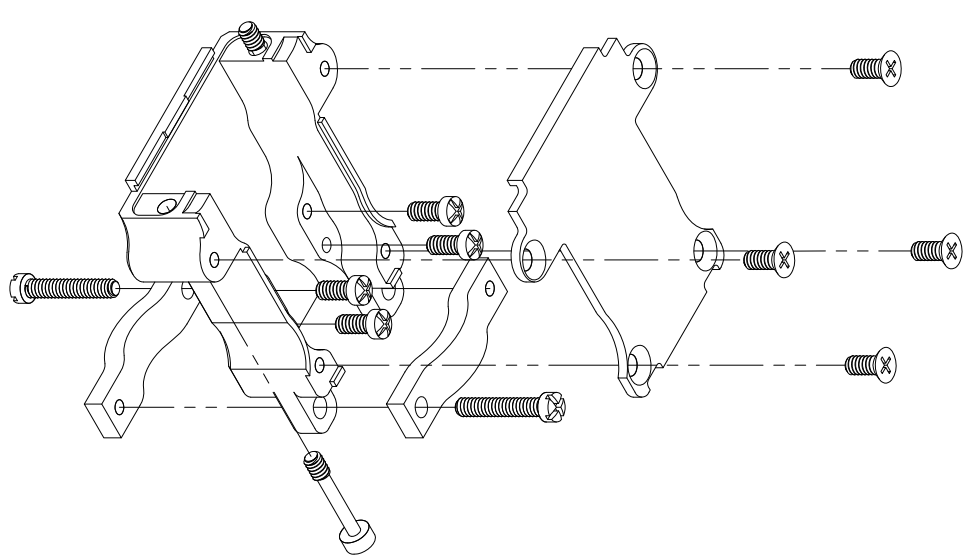


THIS DRAWING CONTAINS INFORMATION PROPRIETARY TO CONNECT POSITRONIC. ANY REPRODUCTION OR THEFT OF THIS DRAWING IS STRICTLY PROHIBITED. THE USER EMPLOYING THIS INFORMATION AT HIS OWN DISCRETION ASSUMES ALL LIABILITY FOR ANY DAMAGES, INJURY, OR RESULTS OBTAINED OR DAMAGES INCURRED FROM USE OF SUCH INFORMATION, IN WHOLE OR IN PART.



EXPLODED VIEW



DATE	REV	REVISION RECORD	APP	DR	CK
11-2	NC	ECO 34671	COLB	ME	COLB
8-12	A	ECO 40433	COLB	BE	COLB

SK12934

NOTES:

1. MATERIAL AND FINISHES:

HOOD, COVER AND CABLE CLAMPS: ALUMINUM, ELECTROLESS NICKEL FINISH.

SCREWS: STEEL, NICKEL FINISH.

2. DETAILED PRODUCT, MECHANICAL, AND ELECTRICAL INFORMATION IS AVAILABLE IN THE LATEST D-SUB ACCESSORY PRODUCT PUBLICATION. VISIT CONNECTPOSITRONIC.COM/PRODUCTS/58/D-SUBMINIATUREACCESSORIES OR CONNECTPOSITRONIC.COM.

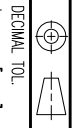
3. HOODS ARE COMPLIANT TO THE CURRENT ROHS DIRECTIVE.

4. DIMENSIONS ARE IN INCHES [MILLIMETERS].



POSITRONIC INDUSTRIES INC.
www.connectpositronic.com

FSCM 28198



D SERIES

SCALE: N.T.S.
 DRAWN BY: ME
 APPROVED BY: COLB

TITLE: D15000ANEO/AA

ANGULAR TOL.
 ± 5°

DATE: 11-2-11

DRAWING NUMBER: SK12934

REV: A