

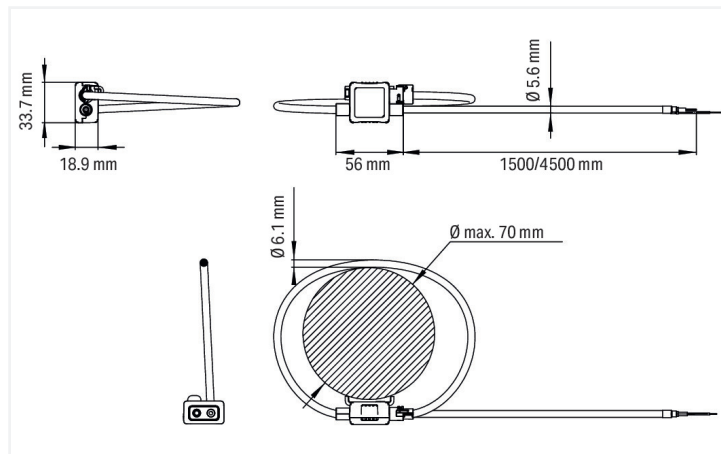
# Data Sheet | Item Number: 855-9150/2000-701

Rogowski coil; Primary rated current 1000 A; Output signal 22.5 mV per kA; Cable length: 1.5 m; Feedthrough for measurement conductor 70 mm

<https://www.wago.com/855-9150/2000-701>



Similar to illustration



Dimensions in mm

## Short description:

WAGO's Rogowski coils are used to measure AC currents and are particularly well suited for retrofitting in existing systems. The split coil bobbin allows for subsequent installation around the primary conductor – be it current bars or round conductors. These Rogowski coils can be connected to WAGO's 857-552, 750-495/000-002 and 2857-570/024-000 modules. A sealable bayonet catch and mounting brackets for cable ties make for easy installation.

## Notes

Note

Rogowski technology allows the coils to measure a wide primary current range of up to 10,000 A without loss of accuracy, because there are no saturation effects. The requirements for standards EN 61869-1, EN 61869-2, EN 61869-6 and EN 61869-10 are only partially met, as there are fundamental differences with current transformers for a Rogowski coil.

## Technical data

### Input

Measurement range	10 ... 10,000 A (up to 4000 A in combination with recommended WAGO products)
Measured variable	Current

### Input – current transformer

Rated short-time thermal current $I_{th}$	300 kA at 50 Hz
Mutual Inductance M	71.98 nH
Rated frequency	50 ... 60 Hz
Primary rated current	1000 A

### Output – analog

Sensitivity	22.5 mV/kA at 50 Hz
Output signal (max.)	30 V
Internal resistance $R_i$	56 $\Omega$

### Signal Processing

Limit frequency	420 kHz
-----------------	---------

### Measurement Error

Accuracy class	0.5
Translation errors (all positions)	0.75 %
Translation errors (note)	Assuming the use of a primary conductor with a diameter of at least 15 mm, running perpendicular to and in contact with the coil.

### Safety and protection

Rated Voltage	1000 VAC <sub>rms</sub> (Cat. III); 600 VAC <sub>rms</sub> (Cat. IV)
Impulse withstand voltage (1.2/50 µs)	12.8 kV
Protection type	IP57
Voltage for isolation test	7.4 kVAC; 50 Hz; 1 min

### Connection Data

Feedthrough for measurement conductor	Ø 70 mm
---------------------------------------	---------

### Physical data

Cable length	1.5 m
--------------	-------

### Mechanical data

Mounting type	Split-core current transformer (suspended)
---------------	--

### Material data

Fire load	0 MJ
Weight	130 g

### Environmental requirements

Ambient temperature (operation)	-40 ... +80 °C
Ambient temperature (storage)	-40 ... +80 °C
Relative humidity	≤ 90 % (without condensation)
Operating altitude (max.)	2000 m

### Standards and Specifications

Conformity marking	CE
Standards/specifications	EN 61010-1 EN 61010-2-32 EN 61869-1 EN 61869-2 EN 61869-6 EN 61869-10 UL 61010-1

**Commercial data**

PU (SPU)	1 pcs
Packaging type	Bag
Country of origin	CH
Customs tariff number	90303370000

**Product Classification**

UNSPSC	41113637
eCl@ss 10.0	27-21-09-02
eCl@ss 9.0	27-21-09-02
ETIM 9.0	EC002048
ETIM 10.0	EC002048
ECCN	NO US CLASSIFICATION

**Environmental Product Compliance**

RoHS Compliance Status	Compliant, No Exemption
------------------------	-------------------------

**Approvals / Certificates**

General approvals			Declarations of conformity and manufacturer's declarations		
Approval	Standard	Certificate Name	Approval	Standard	Certificate Name
			EU-Declaration of Conformity	-	-
EAC GZO Almaty Standart	TP TC 004/2011	EAC CoC 03082	WAGO GmbH & Co. KG		
UL Underwriters Laboratories Inc.	UL 61010-2-032	E499682			

**Downloads**

**Environmental Product Compliance**

Compliance Search	
Environmental Product Compliance 855-9150/2000-701	<a href="#">↓</a>

**Documentation**

Bid Text				Instruction Leaflet			
Item Number	Date	File Type	Size	Item Number	Version	File Type	Size
855-9150/2000-701	24.01.2019	docx	17.74 KB	Rogowski-Spulen RC70 / RC125 / RC175	V 1.1.0	pdf	1698.78 KB
855-9150/2000-701	24.01.2019	xml	6.03 KB				

## 1 Compatible Products

### 1.1 Optional Accessories

#### 1.1.1 Signal conditioner

##### 1.1.1.1 Current Signal Conditioner



**Item No.: 857-552**

Current signal conditioner; Input for Rogowski coils; Current and voltage output signal; Digital output; Configuration via software; Supply voltage: 24 VDC; 6 mm module width; 2,50 mm<sup>2</sup>

##### 1.1.1.2 Power Measurement Module



**Item No.: 2857-570/024-000**

3-Phase Power Measurement Module; 3x277/480 V/RC; Modbus RTU; Digital output; Configuration via software; Supply voltage: 24 VDC

## Installation Notes

### Installation



Bayonet connector:  
Robust and durable



Screw-mount clips:  
Quick and easy mounting with cable ties



Lock-out seal:  
Greater security via sealable bayonet lock