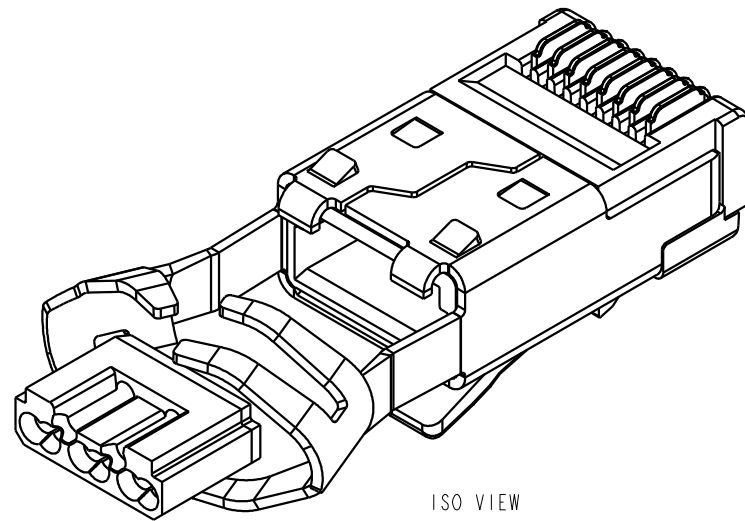
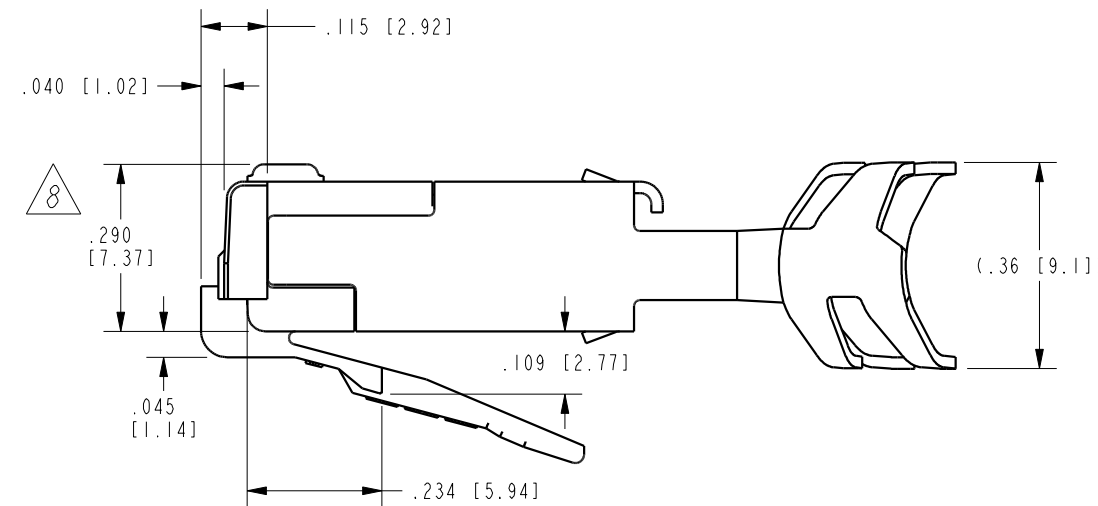
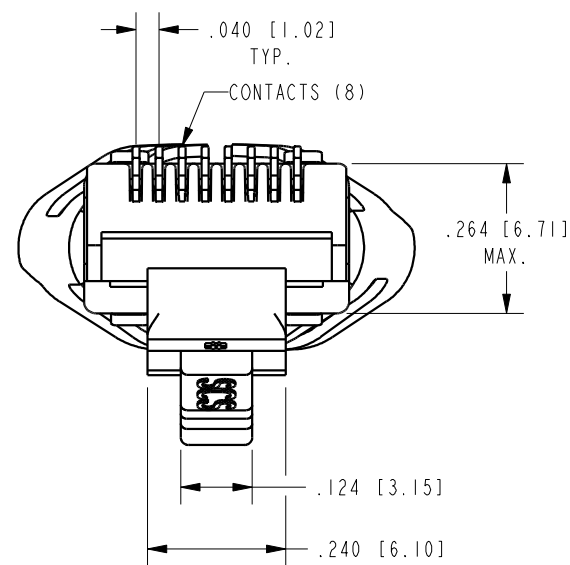
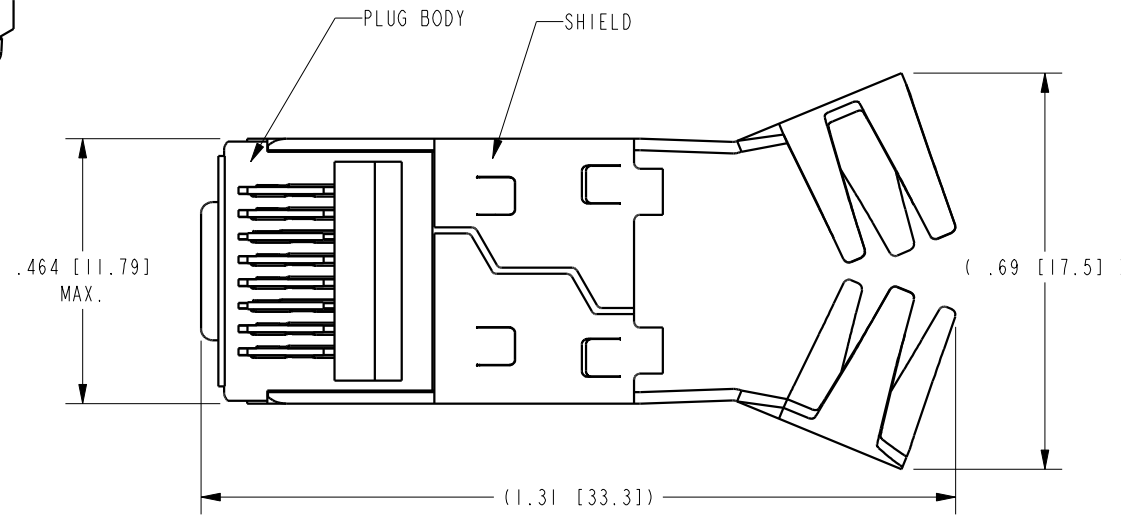


DATE	REV.	ECN	APP'D BY
2-17-15	B2	10260	ADB
2-19-16	B3	10554	TRM



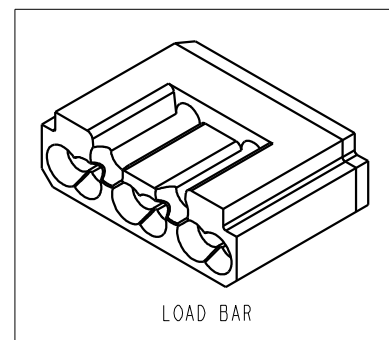
ISO VIEW



NOTES:

1. PLUG KIT CONSISTS OF:  
PRE-INSERTED PLUG BODY WITH SHIELD  
LOAD BAR
2. MATERIALS:  
PLUG BODY: CLEAR POLYCARBONATE, UL 94-V0  
LOAD BAR: BLACK POLYCARBONATE, UL 94-V0  
CONTACTS: COPPER ALLOY, SELECTIVE GOLD PLATING  
SHIELD: COPPER ALLOY, NICKEL PLATE
3. FOR PRODUCT SPECIFICATION SEE PR026-01
4. CONTACTS TERMINATE SOLID OR STRANDED CONDUCTORS BETWEEN .037 [0.94] TO .042 [1.07] OUTSIDE DIAMETER OF INSULATION.
5. CRIMP IS FOR CABLES WITH OUTSIDE NOMINAL DIAMETERS OF .270 [6.86] TO .295 [7.49].
6. PRODUCT DESIGNED FOR CATEGORY 6 APPLICATIONS.
7. DIMENSIONS AND TOLERANCES COMPLY WITH TIA-1096 STANDARD.
8. TERMINATED PLUG HEIGHT: .237 [6.02] ±.005 [0.13].

BULK	50 MICRO-INCHES [1.27um]	SS-39200-019
PACKAGE	CONTACT PLATING IN MATING AREA	PART NUMBER

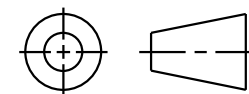


LOAD BAR

RoHS



THIRD ANGLE PROJECTION



11118 Susquehanna Trail South  
Glen Rock, PA 17327-9199  
(717) 235-7512  
<http://www.stewartconnector.com>

DO NOT SCALE DRAWING

DRAWING IS SUBJECT TO CHANGE WITHOUT NOTICE

DIMENSIONS: INCHES [METRIC]

UNLESS OTHERWISE SPECIFIED TOLERANCES ARE ±.005 [0.13] ANGLES ARE ±1°

SHEET NO. 1 OF 1

8 CONDUCTOR, 8 POSITION SHIELDED CAT 6 PLUG WITH LOAD BAR, .295" MAX OD CABLE

THIS DRAWING AND THE SUBJECT MATTER SHOWN THEREON ARE CONFIDENTIAL AND THE PROPRIETARY PROPERTY OF STEWART CONNECTOR AND SHALL NOT BE REPRODUCED, COPIED, OR USED IN ANY MANNER WITHOUT PRIOR WRITTEN CONSENT OF STEWART CONNECTOR. ONE OR MORE U.S. PATENTS MAY APPLY TO THIS PRODUCT. FOR DETAILS, PLEASE VISIT: [HTTP://BELFUSE.COM/STEWART/STEWART\\_PATENTS/](http://BELFUSE.COM/STEWART/STEWART_PATENTS/)

DRN BY:	SAW	DATE	8-4-10
APPD BY:	DHG	DATE	8-4-10
DWG. NO.	CT390071	REV.	B3