

Customer Information Sheet

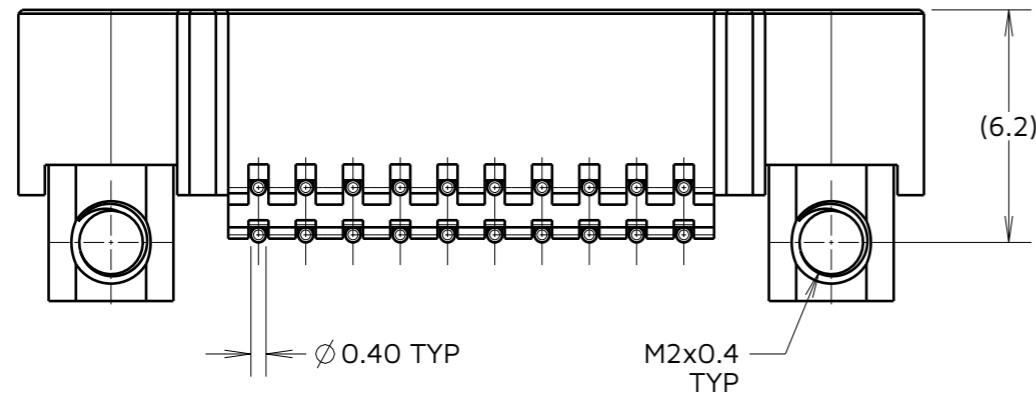
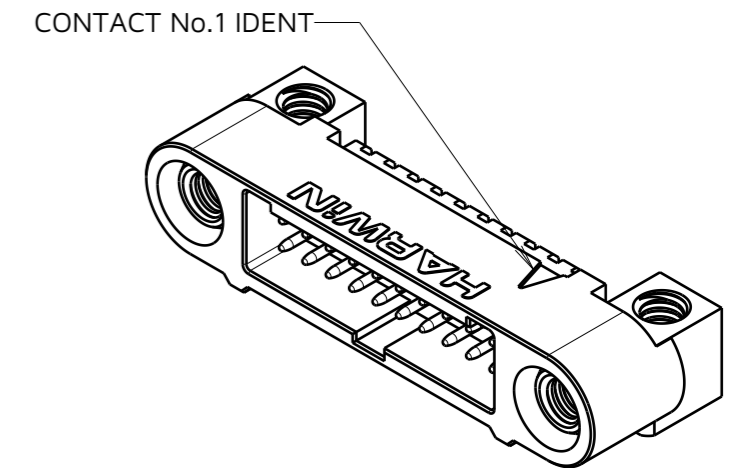
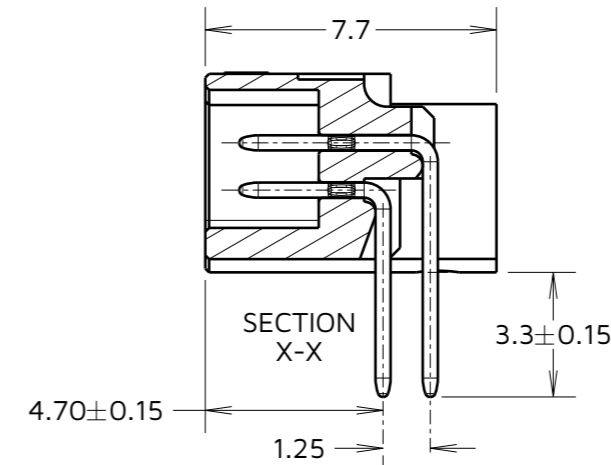
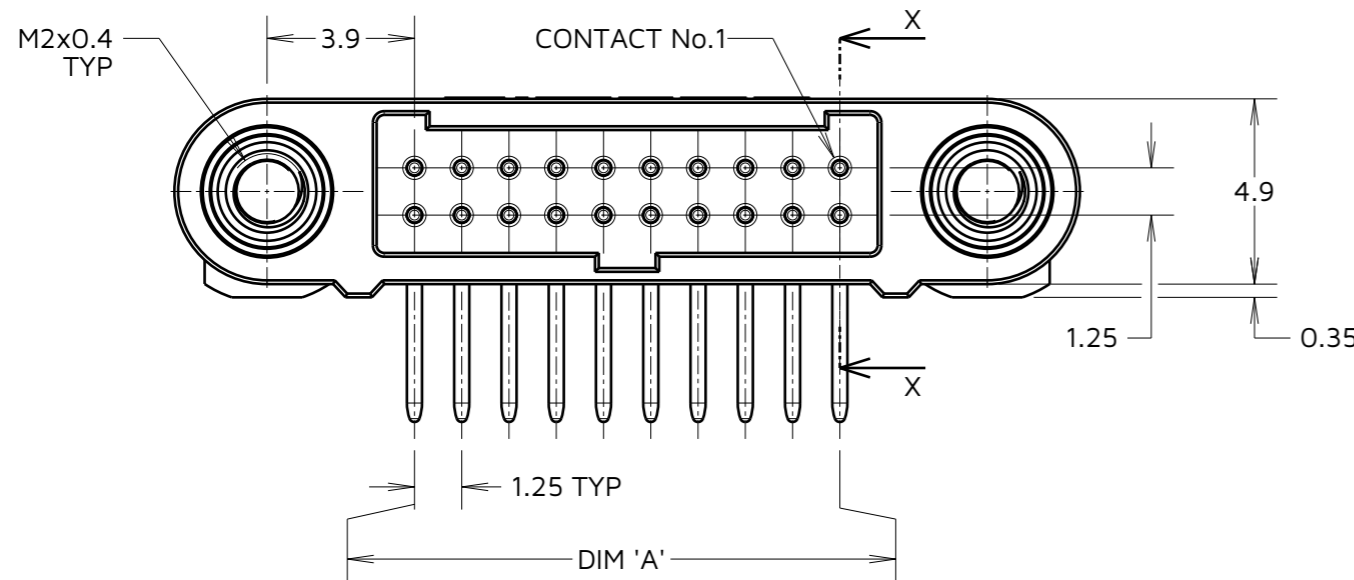
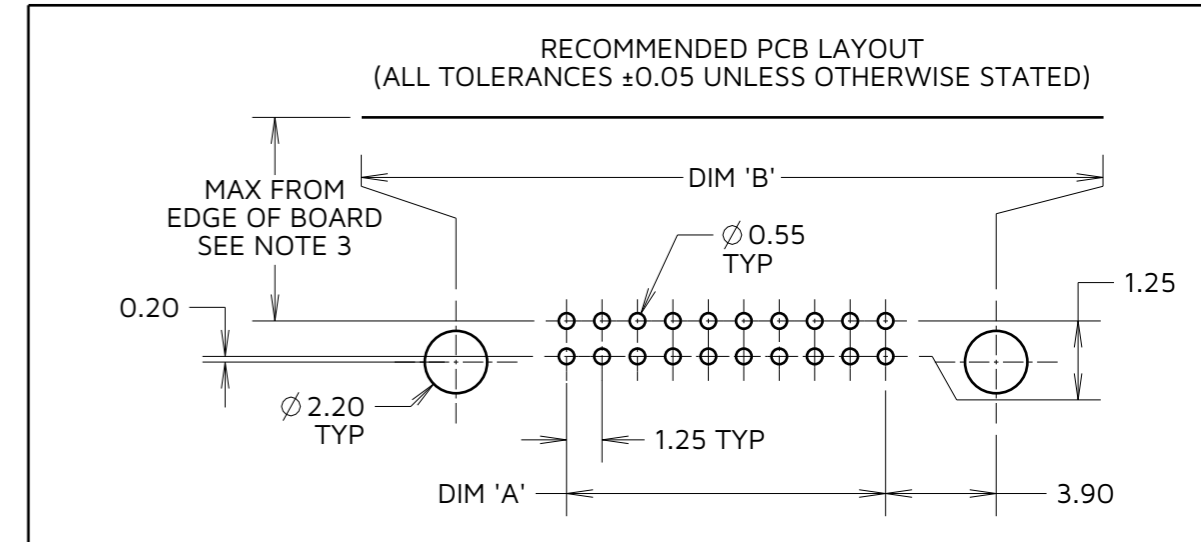
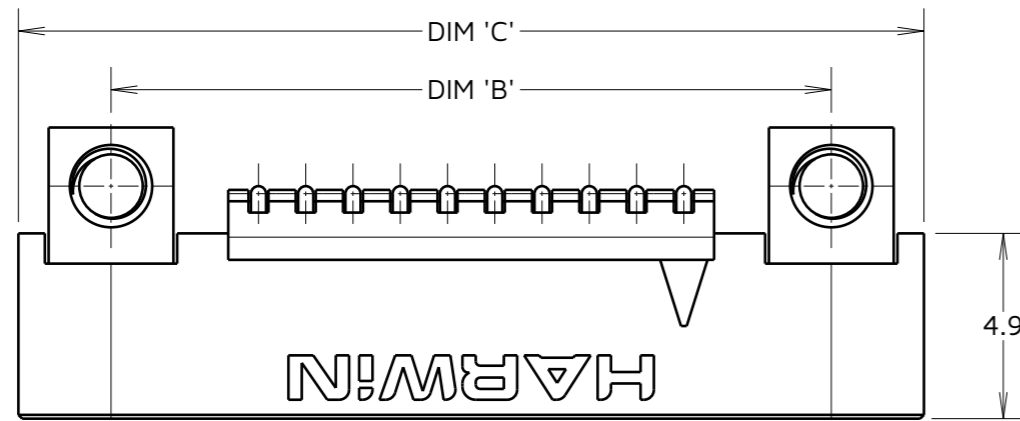
IF IN DOUBT - ASK

©

NOT TO SCALE

THIRD ANGLE PROJECTION

ALL DIMENSIONS IN mm



CONNECTOR AND PCB LAYOUT DETAILS ONLY.
SEE SHEET 4 FOR TAPE STRIP DETAILS.

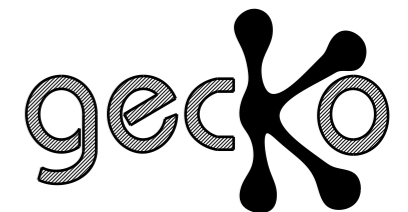


TABLE 1: DIMENSION VARIANTS

PART No.	DIM 'A'	DIM 'B'	DIM 'C'
G125-MH10605M4P	2.50	10.30	15.20
G125-MH11005M4P	5.00	12.80	17.70
G125-MH11205M4P	6.25	14.05	18.95
G125-MH11605M4P	8.75	16.55	21.45
G125-MH12005M4P	11.25	19.05	23.95
G125-MH12605M4P	15.00	22.80	27.70
G125-MH13405M4P	20.00	27.80	32.70
G125-MH15005M4P	30.00	37.80	42.70

ORDER CODE:

G125-MH1XX05M4P

TOTAL No. OF CONTACTS _____
06, 10, 12, 16, 20, 26, 34 & 50

EM	5	19.09.24	34441
NAME	ISS.	DATE	CN/CO
APPROVED:		E.MUNOZ	
CHECKED:		A.BOXALL	
DRAWN:		R.PORTLOCK	

- NOTES:
- FOR MATERIALS, FINISH AND SPECIFICATION SEE GECKO SERIES CONNECTORS SPECIFICATION SUMMARY SHEET OR COMPONENT SPECIFICATION C125XX (LATEST ISSUE).
 - G125-MH12005M4P SHOWN FOR ILLUSTRATION PURPOSES ONLY
 - MAX DISTANCE OF NEARSIDE CONTACTS TO BOARD EDGE WHEN MATED WITH:
 - UNSHIELDED CABLE: 4.70mm
 - SHIELDED CABLE: 2.55mm
 - A RANGE OF SUITABLE M2 BOARD MOUNT SCREWS ARE AVAILABLE SEPARATELY. VISIT HARWIN.COM FOR DETAILS.

HARWIN

www.harwin.com

TOLERANCES
X. = ±1mm
X.X = ±0.50mm
X.XX = ±0.20mm
X.XXX = ±0.01mm
ANGLES = ±5°
UNLESS STATED

THIS DRAWING AND ANY INFORMATION OR DESCRIPTIVE MATTER SET OUT HEREON ARE CONFIDENTIAL AND COPYRIGHT PROPERTY OF THE HARWIN GROUP AND MUST NOT BE DISCLOSED, LOANED, COPIED OR USED FOR MANUFACTURING, TENDERING OR FOR ANY OTHER PURPOSE WITHOUT THEIR WRITTEN PERMISSION.

MATERIAL:

SEE ABOVE

TITLE: GECKO-SL HORIZONTAL THROUGHBOARD MALE CONNECTOR ASSEMBLY IN TAPE

DRAWING NUMBER:
G125-MH1XX05M4P

SHT
3 OF
4

Customer Information Sheet

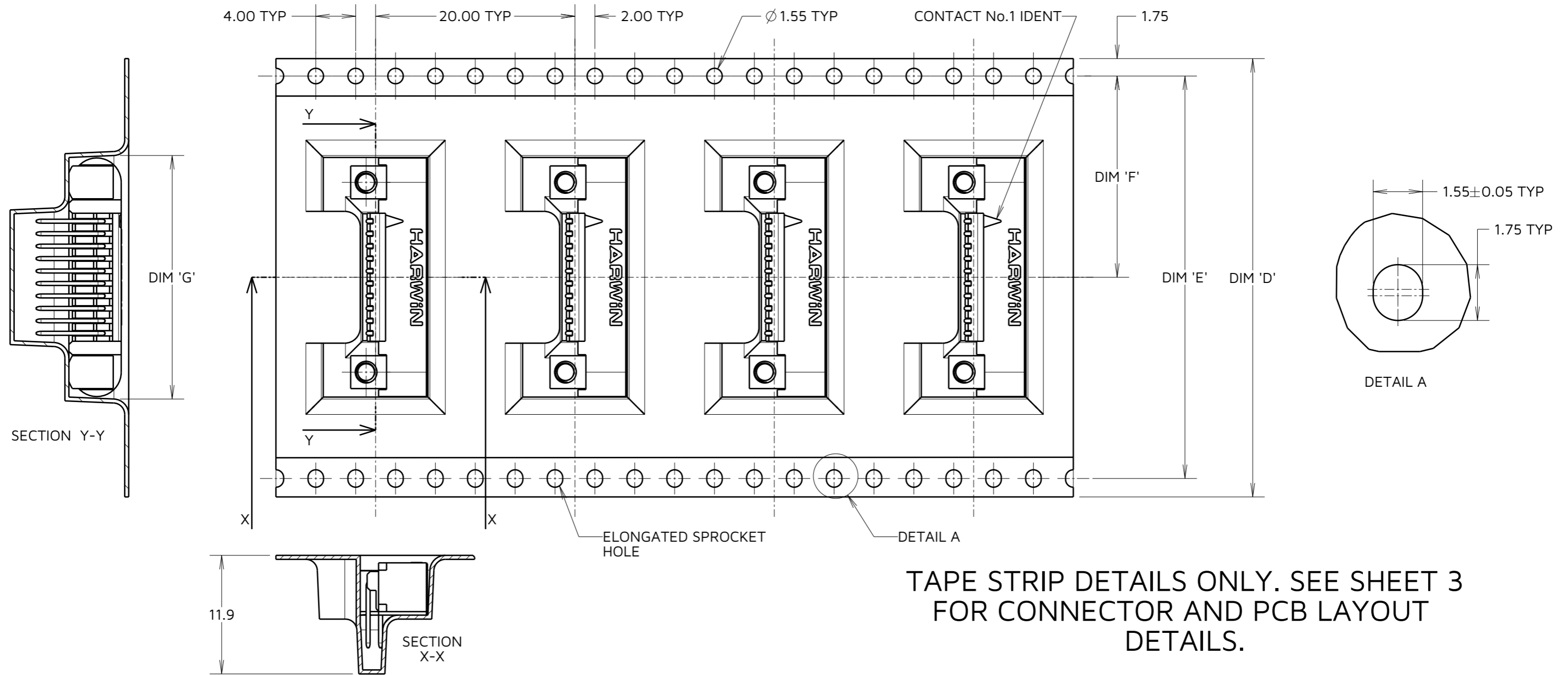
IF IN DOUBT - ASK

©

NOT TO SCALE

THIRD ANGLE PROJECTION

ALL DIMENSIONS IN mm



TAPE STRIP DETAILS ONLY. SEE SHEET 3 FOR CONNECTOR AND PCB LAYOUT DETAILS.

TABLE 2: TAPE DIMENSION VARIANTS

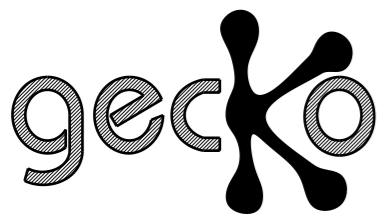
PART No.	DIM 'D'	DIM 'E'	DIM 'F'	DIM 'G'
G125-MH10605M4P	32.0±0.3	28.40	14.20	15.30±0.15
G125-MH11005M4P				17.80±0.15
G125-MH11205M4P				19.05±0.15
G125-MH11605M4P	44.0±0.3	40.40	20.20±0.15	21.55±0.15
G125-MH12005M4P				24.05±0.15
G125-MH12605M4P	56.0±0.3	52.40	26.20±0.15	27.80±0.15
G125-MH13405M4P				32.80±0.15
G125-MH15005M4P				42.80±0.15

ORDER CODE:

G125-MH1XX05M4P

TOTAL No. OF CONTACTS _____
06, 10, 12, 16, 20, 26, 34 & 50

EM	5	19.09.24	34441
NAME	ISS.	DATE	CN/CO
APPROVED: E.MUNOZ			
CHECKED: A.BOXALL			
DRAWN: R.PORTLOCK			



NOTES:
5. COMPONENTS ARE ORIENTED IN TAPE POCKETS AS SHOWN.
6. COMPONENTS ARE SUPPLIED IN STRIPS OF TAPE WITH A QUANTITY OF 10 CONNECTORS PER STRIP.

HARWIN

www.harwin.com

TOLERANCES
X. = ±1mm
X.X = ±0.50mm
X.XX = ±0.20mm
X.XXX = ±0.01mm
ANGLES = ±5°
UNLESS STATED

THIS DRAWING AND ANY INFORMATION OR DESCRIPTIVE MATTER SET OUT HEREON ARE CONFIDENTIAL AND COPYRIGHT PROPERTY OF THE HARWIN GROUP AND MUST NOT BE DISCLOSED, LOANED, COPIED OR USED FOR MANUFACTURING, TENDERING OR FOR ANY OTHER PURPOSE WITHOUT THEIR WRITTEN PERMISSION.

MATERIAL:

SEE SHEET 3

TITLE: **GECKO-SL HORIZONTAL THROUGHBOARD MALE CONNECTOR ASSEMBLY IN TAPE**

DRAWING NUMBER: **G125-MH1XX05M4P**

SHT 4 OF 4