

5-1971793-1 ✓ ACTIVE

GRACE INERTIA | GRACE INERTIA 2.5

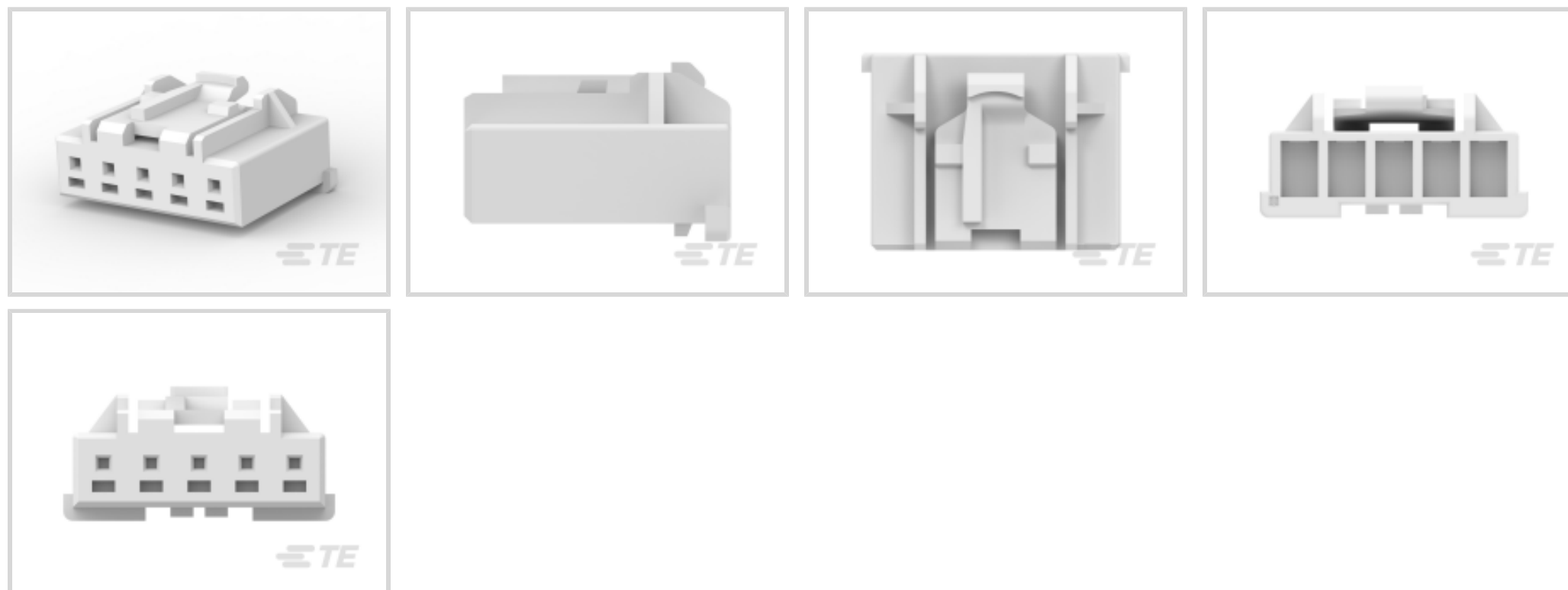
TE Internal #: 5-1971793-1

5 Position, Plug, Housing, Crimp, Wire-to-Wire, UL 94V-0, 2.5 mm [.098 in] Centerline, 1 Row, 50 VAC, Wire & Cable, Power & Signal, GRACE INERTIA 2.5

[View on TE.com >](#)



Connectors > Rectangular Connectors > Standard Rectangular Connectors > Glow Wire Sig GRACE INERTIA Plug



Connector Product Type: **Housing**

Connector & Housing Type: **Plug**

Mating Retention: **With**

Mating Retention Type: **Latch**

Termination Method to Wire & Cable: **Crimp**

[All Glow Wire Sig GRACE INERTIA Plug \(20\)](#)

Features

Product Type Features

Connector Product Type	Housing
Connector & Housing Type	Plug
Connector System	Wire-to-Wire
Sealable	No
Connector & Contact Terminates To	Wire & Cable

Configuration Features

Number of Positions	5
Number of Rows	1

Electrical Characteristics

Operating Voltage	50 VDC
-------------------	--------

Body Features

Connector & Keying Code	A
-------------------------	---



Primary Product Color	Natural
-----------------------	---------

Contact Features

Contact Base Material	Copper Alloy
Contact Retention Within Housing	Without
Contact Type	Tab
Contact Current Rating (Max)	3 A

Termination Features

Termination Method to Wire & Cable	Crimp
------------------------------------	-------

Mechanical Attachment

Strain Relief	Without
Panel Mount Feature	Without
Mating Retention	With
Mating Retention Type	Latch
Connector Mounting Type	Cable Mount (Free-Hanging)

Housing Features

Housing Entry Configuration	Both Ends Closed
Centerline (Pitch)	2.5 mm [.098 in]
Housing Material	PA 66 GF

Dimensions

Connector Height	5.88 mm [.231 in]
Connector Length	13.2 mm [.516 in]
Wire Size	.081 – .326 mm ²

Usage Conditions

Operating Temperature Range	-30 – 105 °C [-22 – 221 °F]
-----------------------------	-----------------------------

Operation/Application

Circuit Application	Power & Signal
---------------------	----------------

Industry Standards

UL Flammability Rating	UL 94V-0
Glow Wire Rating	Glow Wire

Packaging Features

Packaging Quantity	400
--------------------	-----

Packaging Method

Bag & Box

Product Compliance

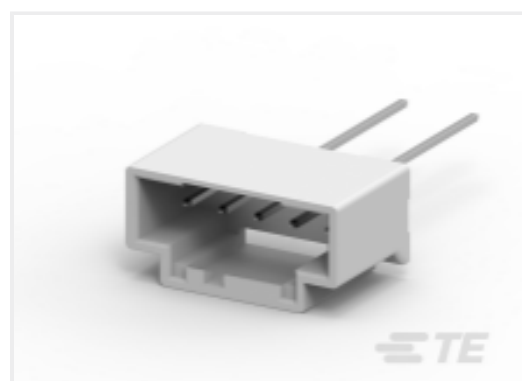
For compliance documentation, visit the product page on TE.com>

EU RoHS Directive 2011/65/EU	Compliant
EU ELV Directive 2000/53/EC	Compliant
China RoHS 2 Directive MIIT Order No 32, 2016	有害物质含量符合标准要求 No Restricted Substance(s) Above Threshold
EU REACH Regulation (EC) No. 1907/2006	Current ECHA Candidate List: JUNE 2025 (250) Candidate List Declared Against: JUNE 2025 (250) Does not contain REACH SVHC
Halogen Content	Not Low Halogen - contains Br or Cl > 900 ppm.
Solder Process Capability	Not reviewed for solder process capability

Product Compliance Disclaimer

This information is provided based on reasonable inquiry of our suppliers and represents our current actual knowledge based on the information they provided. This information is subject to change. The part numbers that TE has identified as EU RoHS compliant have a maximum concentration of 0.1% by weight in homogenous materials for lead, hexavalent chromium, mercury, PBB, PBDE, DBP, BBP, DEHP, DIBP, and 0.01% for cadmium, or qualify for an exemption to these limits as defined in the Annexes of Directive 2011/65/EU (RoHS2). Finished electrical and electronic equipment products will be CE marked as required by Directive 2011/65/EU. Components may not be CE marked. Additionally, the part numbers that TE has identified as EU ELV compliant have a maximum concentration of 0.1% by weight in homogenous materials for lead, hexavalent chromium, and mercury, and 0.01% for cadmium, or qualify for an exemption to these limits as defined in the Annexes of Directive 2000/53/EC (ELV). Regarding the REACH Regulation, the information TE provides on SVHC in articles for this part number is based on the latest European Chemicals Agency (ECHA) 'Guidance on requirements for substances in articles' posted at this URL: <https://echa.europa.eu/guidance-documents/guidance-on-reach>

Compatible Parts



TE Part # 5-2232546-1
GI2.5 HDR ASS 5P NC NO BOSS TAPE



TE Part # 5-2232546-5
GI2.5 HDR ASS 5P BLK NO BOSS TAPE



TE Part # 5-1971794-2
GI2.5 TPA,5P

Also in the Series | **GRACE INERTIA 2.5**



Connector Contacts(6)



Connector Hardware(7)



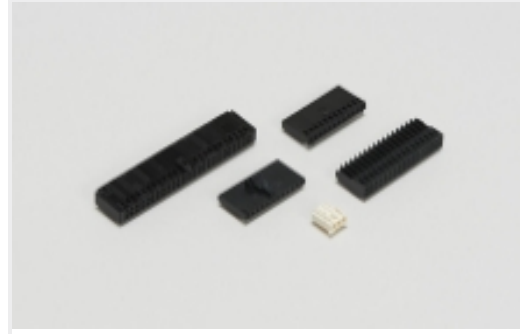
PCB Headers & Receptacles(173)



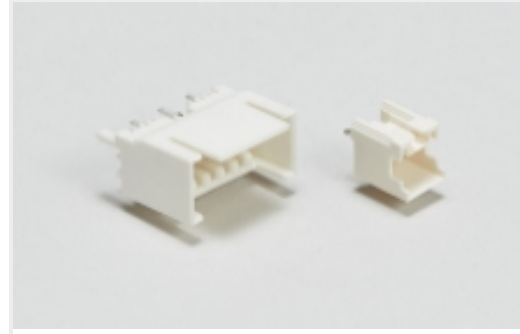
Power Contacts(2)



Rectangular Power Connectors(44)



Wire-to-Board Connector Assemblies & Housings(36)



Wire-to-Board Headers & Receptacles (173)

Customers Also Bought



TE Part #53127-1
TERMINAL,SOLIS SPR SPD 12-10 8



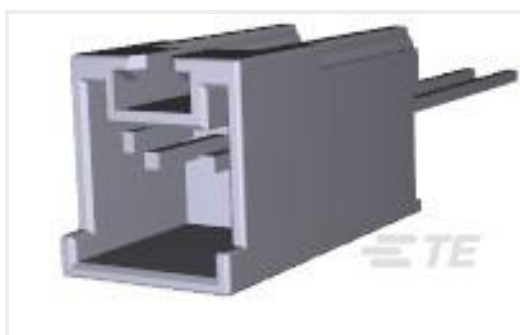
TE Part #177905-1
POWER DBL LOCK PLUG HSG 12P



TE Part #177920-1
POWER DBL LOCK PLATE 3.96MM 4POS



TE Part #794137-1
MINI UMNL SOCKET 22-18 AWG SN 4POS



TE Part #917722-1
2.5 SIGNAL D/LOCK HDR ASSY 2P



TE Part #1744036-2
02P ECONOMY POWER .200 CL HSG



TE Part #1775441-6
EMIX CONN., 1.5MM PITCH, RCPT, HSG, 6P



TE Part #1877285-2
02P EP SHRD HDR ASMY, WHITE



TE Part #5-1971793-4
NEW GI CONN2.5 PLUG HSG 5P YLW



TE Part #2232905-1
EP 2.5 LIF RCPT CONTACT, 26-22 AWG

Documents



Product Drawings

NEW GI CONN2.5 PLUG HSG 5P NC

English

CAD Files

3D PDF

3D

Customer View Model

[ENG_CVM_CVM_5-1971793-1_J.2d_dxf.zip](#)

English

Customer View Model

[ENG_CVM_CVM_5-1971793-1_J.3d_igs.zip](#)

English

Customer View Model

[ENG_CVM_CVM_5-1971793-1_J.3d_stp.zip](#)

English

By downloading the CAD file I accept and agree to the [Terms and Conditions](#) of use.

Datasheets & Catalog Pages

7-1773465-8-GI2.5-ChineseFlyer

1-1773883-5 GRACE INERTIA connector quick reference guide

English

5-1773465-3-GI2.5Flyer

English

Product Specifications

Product Specification

English

Agency Approvals

UL Report

English