

UR20-4AO-UI-16

Weidmüller Interface GmbH & Co. KG

Klingenbergstraße 26

D-32758 Detmold

Germany

www.weidmueller.com



2- or 4-wire connection; 16-bit resolution; 4 outputs
 The analogue output module controls up to 4 analogue actuators with $\pm 10\text{ V}$, $\pm 5\text{ V}$, $0\text{...}10\text{ V}$, $0\text{...}5\text{ V}$, $2\text{...}10\text{ V}$, $1\text{...}5\text{ V}$, $0\text{...}20\text{ mA}$ or $4\text{...}20\text{ mA}$ with an accuracy of 0.05% of the measurement-range end value. An actuator with 2-, 3- or 4-wire technology can be connected to each plug-in connector. The measurement range is defined channel-by-channel using parameterisation. In addition, each channel has its own status LED.
 The outputs are supplied from the output current path (UOUT).

General ordering data

Version	Remote I/O module, IP20, Analog signals, Output, 4-channel, Current/Voltage
Order No.	1315680000
Type	UR20-4AO-UI-16
GTIN (EAN)	4050118118803
Qty.	1 items

Technical data

Approvals

Approvals



ROHS	Conform
UL File Number Search	UL Website
Certificate no. (cULus)	E141197
Certificate no. (cULusEX)	E223527

Dimensions and weights

Depth	76 mm	Depth (inches)	2.9921 inch
Height	120 mm	Height (inches)	4.7244 inch
Width	11.5 mm	Width (inches)	0.4528 inch
Mounting dimension - height	128 mm	Net weight	87 g

Temperatures

Storage temperature	-40 °C ... +85 °C	Operating temperature	-20 °C...60 °C
---------------------	-------------------	-----------------------	----------------

Environmental Product Compliance

RoHS Compliance Status	Compliant with exemption		
RoHS Exemption (if applicable/known)	7a, 7cl		
REACH SVHC	Lead 7439-92-1		
SCIP	82327f13-cd27-455a-ab5b-a62e1996dcf8		
Product Carbon Footprint	Cradle to gate	8,483 kg CO2 eq.	

analogue outputs

Short-circuit-proof	Yes		
load impedance voltage	> 1 kΩ (at >50 °C ambient temperature, max. total sensor current = 25 mA)		
Load impedance current	<600 Ω		
Repeat accuracy	<1 mV eff.		
Accuracy	±0,1 % FSR max., 0,05 % FSR typ.		
Type	1. U (0...5 V, 0...10 V, 1...5 V, 2...10 V, ±10 V), 2. I (0-20 mA or 4-20 mA)		
Resolution	16 Bit		
Temperature coefficient	20 ppm voltage / 31 ppm current measurement / °K		
Simultaneity factor	min.	0 %	
	nominal	100 %	
	max.	100 %	
Number analogue outputs	4		
Module diagnosis	Yes		
Individual channel diagnosis	No		
Output variable	Voltage (0...5 V, 0...10 V, 1...5 V, 2...10 V, ±10 V, ±5 V), Current (0...20 mA or 4...20 mA)		
Response time	1 ms / 4 channels		
Output current as per application	min.	0 mA	

UR20-4AO-UI-16

Weidmüller Interface GmbH & Co. KG
 Klingenbergstraße 26
 D-32758 Detmold
 Germany

www.weidmueller.com

Technical data

	nominal	185 mA
	max.	185 mA
Monotonicity	Yes	
Cross-talk between the channels in FSR	0.001 %	
Actuator connection	2-wire (automatic detection), 4-wire	
Actuator supply	min.	0 mA
	nominal	185 mA
	max.	185 mA
Max. error between T min. and T max. in FSR	220 %	
Substitute values	Yes	

Connection data

Wire cross-section, finely stranded, max. (AWG)	Wire cross-section, finely stranded, max. AWG 16	Wire cross-section, finely stranded, min. (AWG)	Wire cross-section, finely stranded, min. AWG 26	
Wire cross-section, solid, max. (AWG)	AWG 16	Wire cross-section, solid, min. (AWG)	AWG 26	
Type of connection	PUSH IN		Wire cross-section, solid, max.	1.5 mm ²
Wire cross-section, solid, min.	0.14 mm ²	Wire connection cross section, finely stranded, max.	1.5 mm ²	
Wire connection cross section, finely stranded, min.	0.14 mm ²			

General data

Vibration resistance	5 Hz ≤ f ≤ 8.4 Hz: 3.5-mm amplitude as per IEC 60068-2-6, 8.4 Hz ≤ f ≤ 150 Hz: 1 g acceleration as per IEC 60068-2-6	UL 94 flammability rating	V-0
Test voltage	500 V	Surge voltage category	II
Pollution severity	2	Mounting rail	TS 35
Air pressure (operation)	≥ 795 hPa (height ≤ 2000 m) as per DIN EN 61131-2	Air humidity (transport)	10% to 95%, non-condensing as per DIN EN 61131-2
Air pressure (transport)	1013 hPa (height 0 m) to 700 hPa (height 3000 m) as per DIN EN 61131-2	Air pressure (storage)	1013 hPa (height 0 m) to 700 hPa (height 3000 m) as per DIN EN 61131-2
Air humidity (operation)	10% to 95%, non-condensing as per DIN EN 61131-2	Air humidity (storage)	10% to 95%, non-condensing as per DIN EN 61131-2
Shock	15 g over 11 ms, half sinus wave, acc. to IEC 60068-2-27		

Power supply

Supply voltage	24 V DC +20 %/ -15 %, via the system bus	Current consumption from I _{sys} , typ.	8 mA
Current consumption from IO _{UT} (the respective power segment)	85 mA		

System data

Module type	Analogue output module	Interface	u-remote system bus
Galvanic isolation	500 V DC between the current paths	Process data	8 Byte
Connection type	PUSH IN	Field bus protocol	PROFINET IRT, PROFINET RT, PROFIBUS DP-V1, EtherCAT, Modbus/TCP, EtherNet/IP, CANopen,

Technical data

Transmission speed of system bus, max. 48 MBit/s	Parameter data	DeviceNet, POWERLINK, CC-Link, CC-Link IE TSN
Diagnostic data		12 Byte
		1 Bit

Classifications

ETIM 8.0	EC001596	ETIM 9.0	EC001596
ETIM 10.0	EC001596	ECLASS 14.0	27-24-26-01
ECLASS 15.0	27-24-26-01		

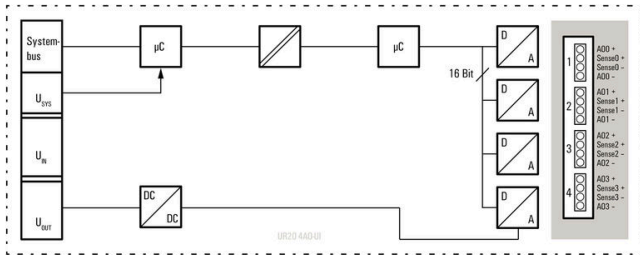
UR20-4AO-UI-16

Weidmüller Interface GmbH & Co. KG
 Klingenbergstraße 26
 D-32758 Detmold
 Germany

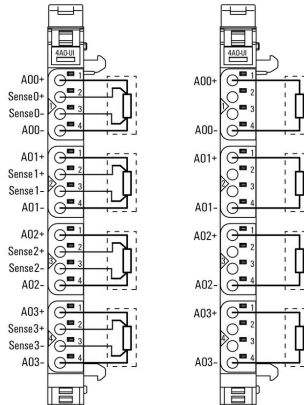
www.weidmueller.com

Drawings

Block diagram



Connection diagram



Explanation of abbreviations

Analogue output modules

