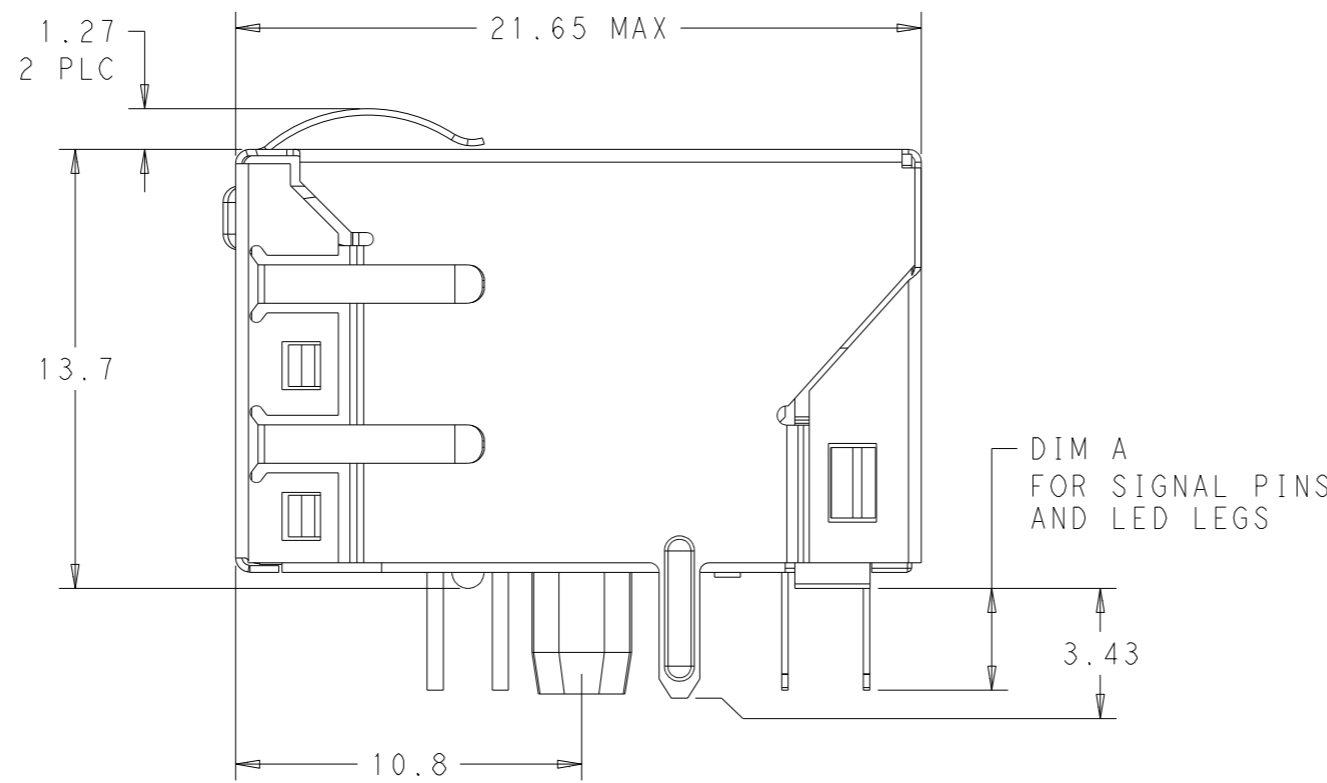
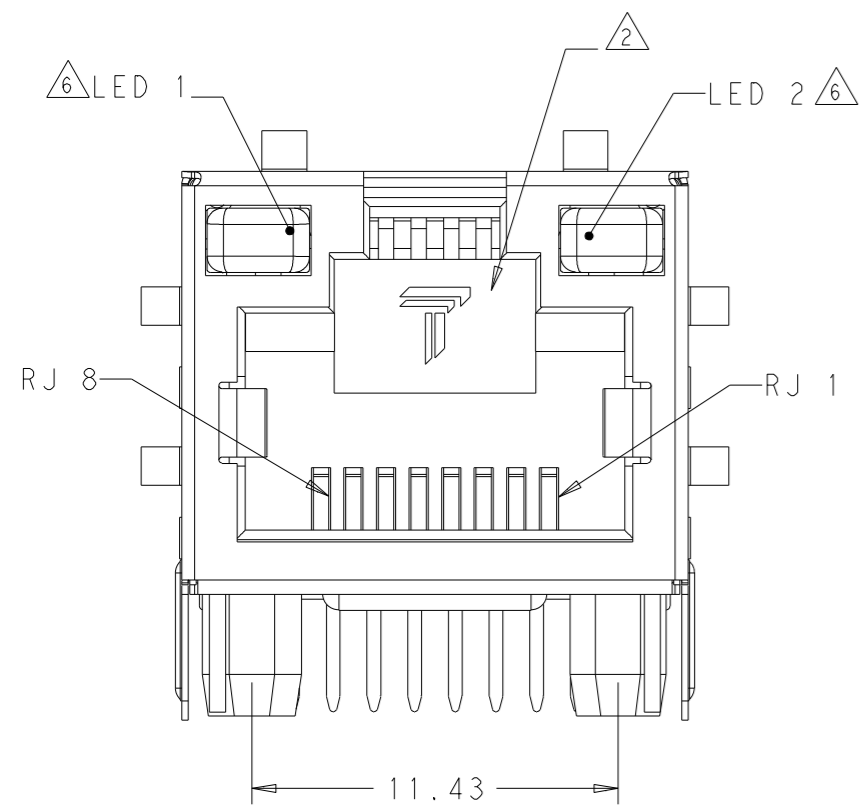
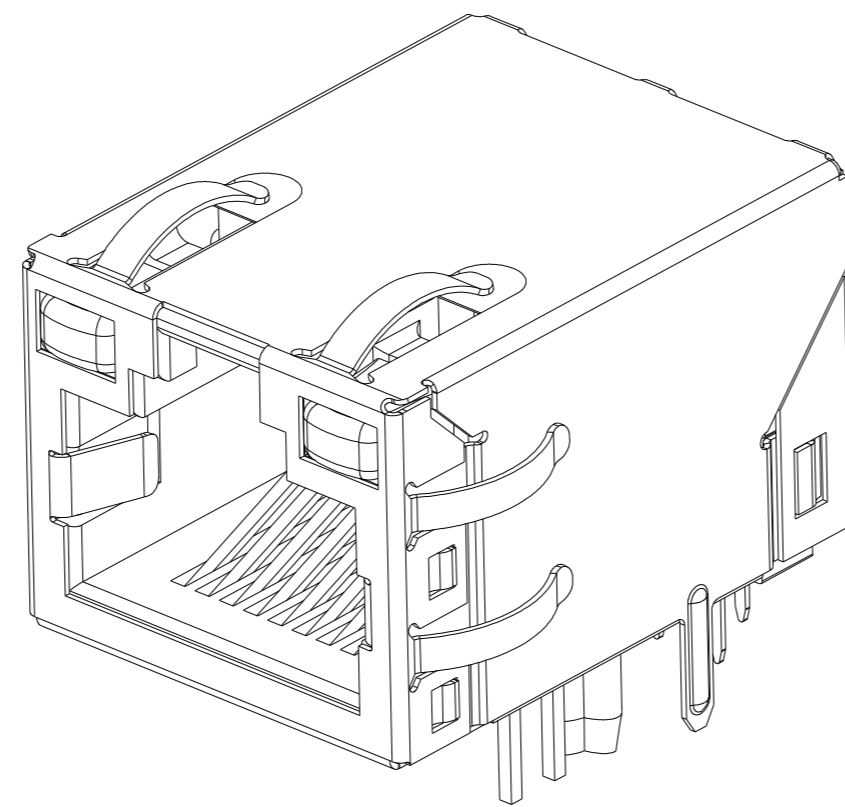
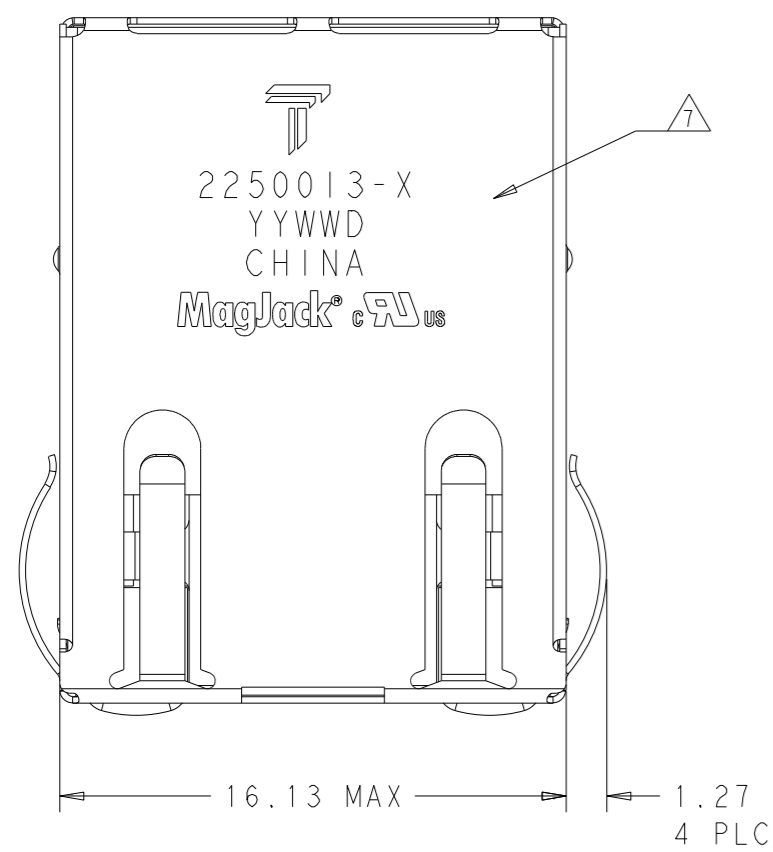


THIS DRAWING AND THE SUBJECT MATTER SHOWN THEREON ARE CONFIDENTIAL AND THE PROPERTY OF BEL/STEWART/TRP CONNECTOR AND SHALL NOT BE REPRODUCED, COPIED, OR USED IN ANY MANNER WITHOUT THE WRITTEN CONSENT OF TRP CONNECTOR.

PRODUCT MAY BE PROTECTED BY ONE OR MORE OF THE FOLLOWING US PATENTS:
 5736910 5939955 6425781 6428361 6554638 6840817 7123117
 7429195 7717749 7808751 6217391 6149050 7924130

REVISIONS				
#	DATE	DESCRIPTION	DATE	APPV
2	30DEC2014	COMPANY LOGO CHANGE		DP TY



1. MATERIALS

- HOUSING: THERMOPLASTIC, FLAMMABILITY RATING UL 94V-0.
- SHIELD: BRASS 0.20mm THICK, PREPLATED WITH 0.76um MIN SEMI-BRIGHT NICKEL. SOLDER TABS POST DIPPED WITH 2.54um MIN SAC SOLDER.
- CONTACTS: PHOSPHOR BRONZE 0.46mm X 0.30mm, PHOSPHOR BRONZE, 1.27um MIN NICKEL UNDERPLATE, WITH 1.27um MIN GOLD PLATING AT MATING INTERFACE AND 2.54um MIN MATTE TIN ON SOLDER TAILS, OR 1.27um MIN NICKEL UNDERPLATE, WITH 0.05um GOLD PLATING OVER 0.76um MIN PALLADIUM NICKEL PLATING AT MATING INTERFACE AND 2.54um MIN MATTE TIN ON SOLDER TAILS.
- SOLDER TAILS: 0.25mm THICK, PHOSPHOR BRONZE, 1.27um MIN OVERALL NICKEL UNDERPLATE, 3um TIN PLATE
- LIGHT EMITTING DIODE (LED): DIFFUSED EPOXY LENS, 0.5mm X 0.5mm CARBON STEEL WIREFRAME LEADS PREPLATED WITH 2.03um MIN. SILVER PLATE OVER 1.02um MIN. NICKEL OVER 1.02um MIN. COPPER UNDERPLATE; LEADS POST-PLATED WITH 3.05um MIN. MATTE TIN AND/OR SAC SOLDER DIP OR PURE TIN SOLDER DIP

△ RJ45 JACK CAVITY CONFORMS TO FCC RULES AND REGULATIONS PART 68 SUB PART F.

△ MAGNETICS

- APPLICATION: 10/100/1000 BASE-T
- IMPEDANCE: 100 OHMS
- TURNS RATIO (CHIP:CABLE): 1:1 ALL FOUR PAIRS
- OPEN CIRCUIT INDUCTANCE (OCL): 350uH MIN. @100kHz, 0.1VRMS, 8mADC BIAS FROM 0°C TO 70°C, ALL FOUR PAIRS
- ALL FOUR PAIRS BI-DIRECTIONAL
- PERFORMANCE @ 25°C:
 - INSERTION LOSS (IL): 1.1dB MAX. FROM 0.5MHz TO 100MHz
 - RETURN LOSS (RL): 18dB MIN FROM 0.5MHz TO 40MHz
 - 12-20LOG(f/80)dB MIN. FROM 40.1MHz TO 100MHz
 - CROSSTALK ATTENUATION: 35dB MIN. FROM 0.5MHz TO 40MHz
 - 33-20LOG(f/50)dB MIN. FROM 40.1MHz TO 100MHz
 - COMMON MODE REJECTION RATIO (CMRR): 30dB MIN. FROM 0.5MHz TO 100MHz
 - ISOLATION VOLTAGE: 2250VDC FOR 60 SECONDS WITH A RISE TIME OF 500 V/SEC

4. OPERATING TEMPERATURE: FROM 0°C TO +70°C.

△ INDICATED MAGNETIC CONNECTIONS ARE SYMMETRICAL TO SUPPORT AUTO-MDI/MDIX.

△ THE 250 OHM LED RESISTORS ARE OPTIONAL, PLEASE SEE CHART FOR PRESENCE OR ABSENCE OF RESISTORS. IF LEADS WITHOUT 250 OHM RESISTORS. LEADS ARE DRIVEN WITH CONSTANT CURRENT AT APPROX 20mA

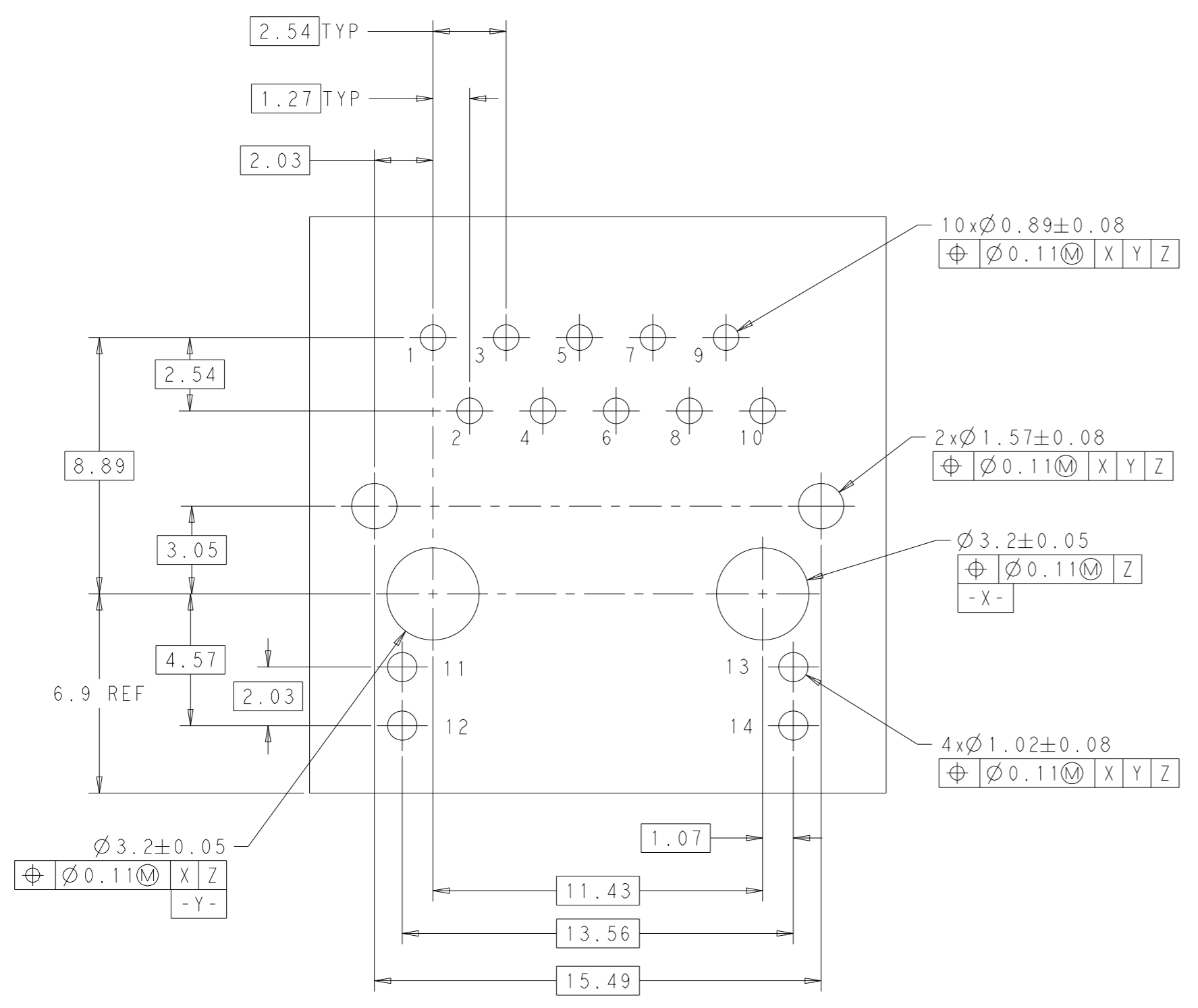
- LED COLOR:
- DOMINATE WAVELENGTH (λD): GREEN 568 nm TYP. AT IF = 20mA
 - FORWARD VOLTAGE (VF): GREEN 2.2V TYP. @ IF = 20mA
 - DOMINATE WAVELENGTH (λD): YELLOW 588 nm TYP. AT IF = 20mA
 - FORWARD VOLTAGE (VF): YELLOW 2.1V TYP. @ IF = 20mA
 - DOMINATE WAVELENGTH (λD): ORANGE 605 nm TYP. AT IF = 20mA
 - FORWARD VOLTAGE (VF): ORANGE 2.1V TYP. @ IF = 20mA
- IF LEADS WITH BUILT-IN 250 OHM RESISTORS. LEADS ARE DRIVEN WITH 5V VOLTAGE AND THE MAX OPERATING CURRENT IS 20mA
- LED COLOR:
- DOMINATE WAVELENGTH (λD): GREEN 568 nm TYP. @ VF=5V
 - FORWARD CURRENT (IF): GREEN 12mA TYP. @VF=5V
 - DOMINATE WAVELENGTH (λD): YELLOW 588 nm TYP. @ VF=5V
 - FORWARD CURRENT (IF): YELLOW 13mA TYP. @VF=5V

△ TRP CONNECTOR LOGO, PART NUMBER, DATE CODE, COUNTRY OF ORIGIN AND AGENCY APPROVAL MARKING IN APPROXIMATE LOCATION SHOWN.

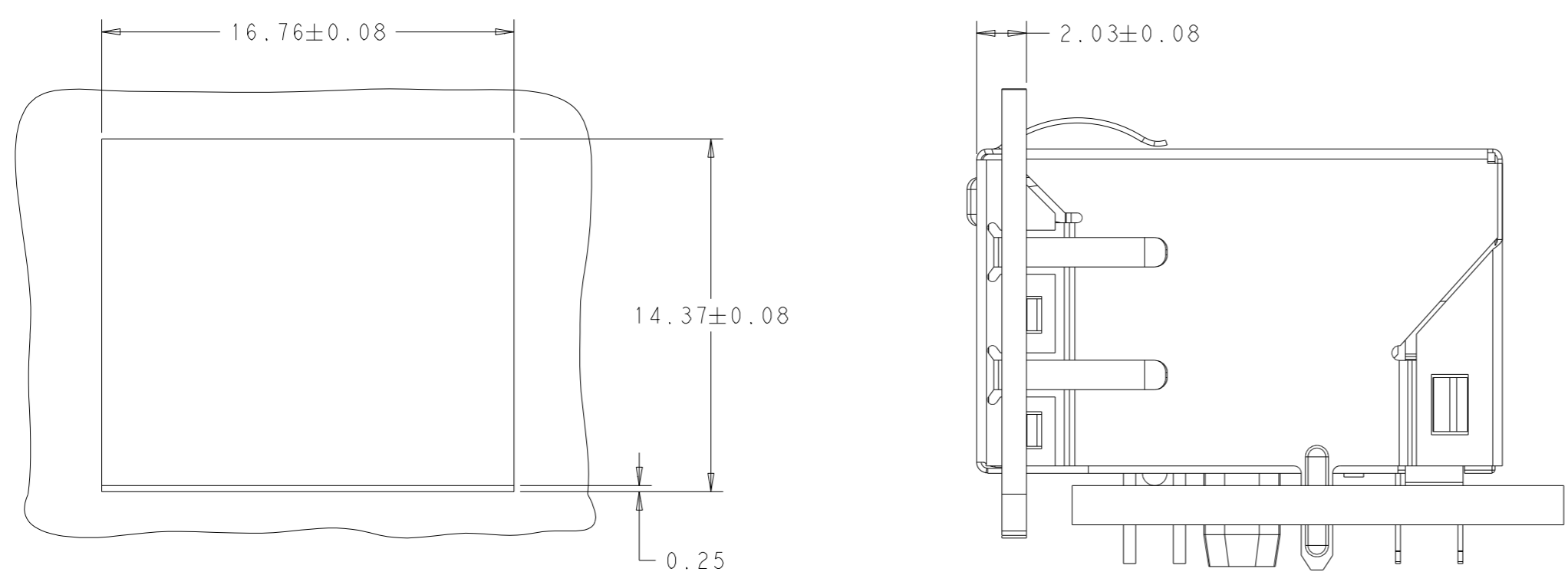
8. PART SHOULD BE RECOMMENDED FOR WAVE SOLDERING PROCESS, PREHEAT TEMPERATURE IS 120°C TO 160°C, 120 SECONDS TO 180 SECONDS, PEAK WAVE SOLDERING TEMPERATURE IS 260°C MAX, 10 SECONDS MAX.

3.68	NO	GREEN	-	YES	YELLOW	-	YES	1-2250013-1				
2.30	YES	GREEN	YELLOW	NO	GREEN	-	NO	2250013-9				
3.68	YES	GREEN	-	NO	GREEN	ORANGE	NO	2250013-8				
3.68	YES	GREEN	ORANGE	NO	YELLOW	-	NO	2250013-7				
3.68	YES	GREEN	-	YES	GREEN	-	YES	2250013-6				
3.68	YES	GREEN	-	NO	YELLOW	-	NO	2250013-5				
3.68	YES	GREEN	YELLOW	NO	GREEN	YELLOW	NO	2250013-4				
3.68	YES	GREEN	YELLOW	NO	GREEN	-	NO	2250013-3				
3.68	YES	GREEN	YELLOW	NO	GREEN	-	YES	2250013-2				
3.68	YES	YELLOW	-	YES	GREEN	-	YES	2250013-1				
DIM A	EMI FINGERS	11	12	12	11	250 OHMS RESISTOR	13	14	14	13	250 OHMS RESISTOR	PART NUMBER
		LED 1			LED 2							

THIS DRAWING IS A CONTROLLED DOCUMENT.		DRN	ROY LIU	13MAY2013	 TRP CONNECTOR a bel group DONGGUAN CHINA
DIMENSIONS:		CHK	TOWER YU / FRANK LIU	13MAY2013	
mm		APPV	TONY YUAN	13MAY2013	
TOLERANCES UNLESS OTHERWISE SPECIFIED:		MODEL NAME		DESC	IXI 7G140 GIGABIT TAB UP W/ LED
0 PLC ±0.25		MAGJACK		SIZE	CAGE CODE
1 PLC ±0.25		SINGLE NON-POE		DRAWING NO	RESTRICTED TO
2 PLC ±0.25		A 1		©=2250013	
3 PLC ±0.25		CUSTOMER DRAWING		SCALE	3:1
4 PLC ±				SHEET	1 OF 3
ANGLES				REV	2
APPLICATION SPEC					

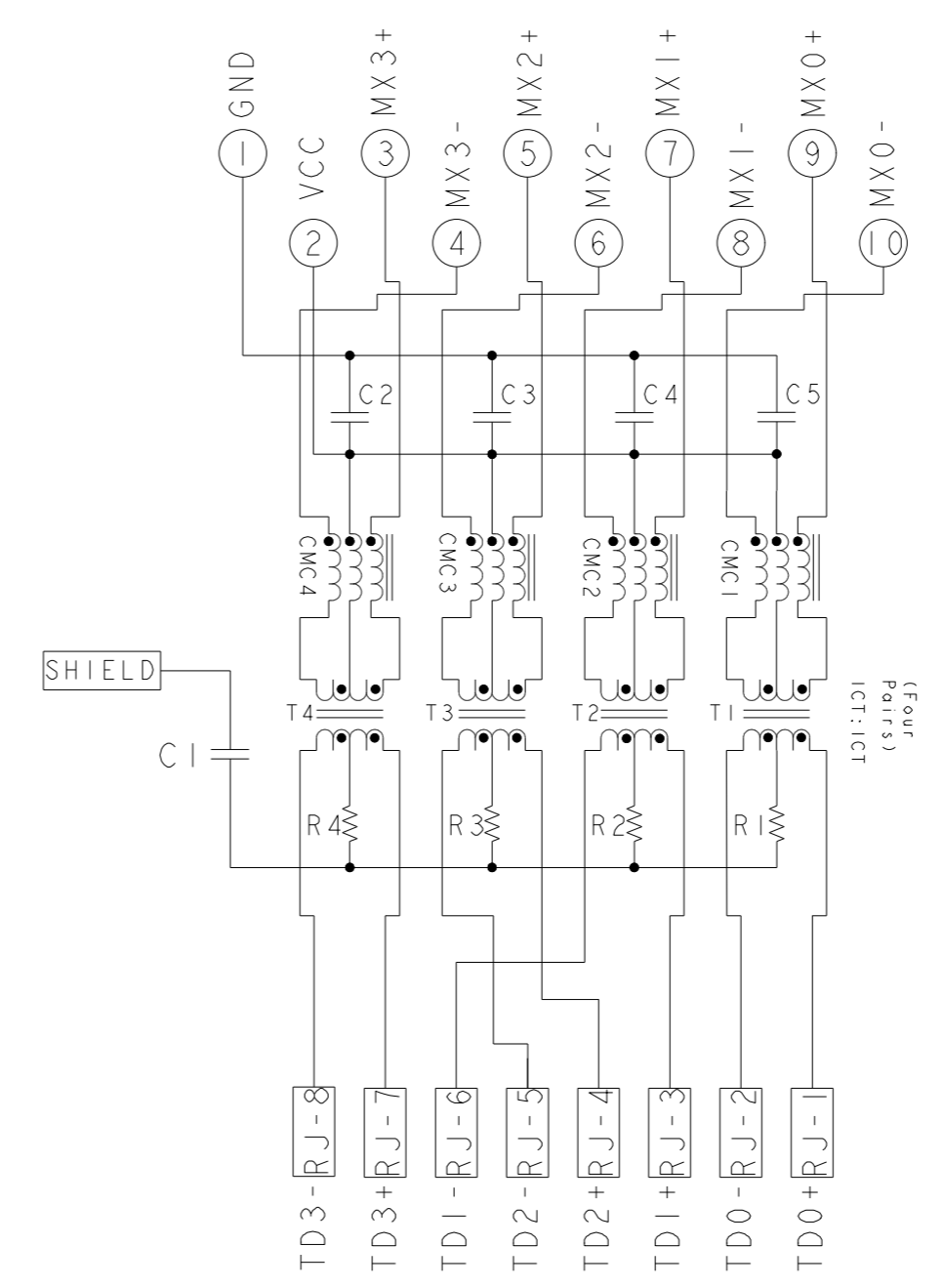


SUGGESTED CUSTOMER BOARD LAYOUT
 (COMPONENT SIDE)

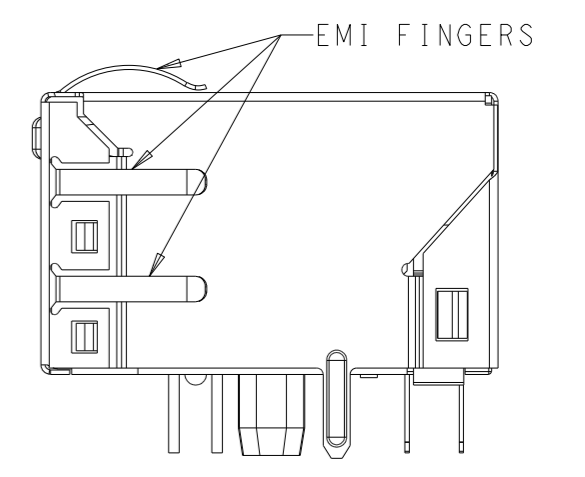


SUGGESTED CUT PANEL AND PCB

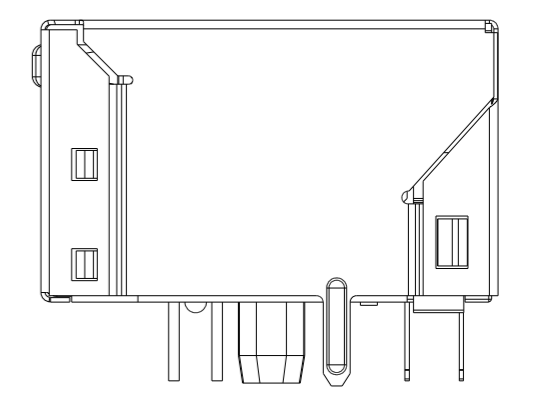
7G140 GIGABIT CIRCUIT



C1=1000pF, 2KV, CAPACITANCE
 C2 - C5 : 0.1uF, CAPACITORS
 R1 - R4 : 75 Ohms, RESISTORS



SCALE 4:1
 FOR 2250013-1 2250013-2 2250013-3
 2250013-4 2250013-5 2250013-6
 2250013-7 2250013-8 2250013-9



SCALE 4:1
 FOR 1-2250013-1


THIS DRAWING IS A CONTROLLED DOCUMENT.		OWN ROY LIU 13MAY2013	 DONGGUAN CHINA
DIMENSIONS: mm		CHK TOWER YU / FRANK LIU 13MAY2013	
TOLERANCES UNLESS OTHERWISE SPECIFIED:		APP'D TONY YUAN 13MAY2013	
0 PLC ±0.25 1 PLC ±0.25 2 PLC ±0.25 3 PLC ±0.25 4 PLC ± ANGLES ± APPLICATION SPEC		MODEL NAME MAGJACK SINGLE NON-POE CUSTOMER DRAWING	
PRODUCT SPEC		DESC IXI 7G140 GIGABIT TAB UP W/ LED	RESTRICTED TO
		SIZE A1	CAGE CODE DRAWING NO. C=2250013
		SCALE 3:1	SHEET 2 OF 3 REV 2

C_2250013					STOCK DISPOSITION			
1X1 7G140 GIGABIT TAB UP W/ LED					A: CONTINUE AS IS		D: USE OLD FIRST	
REVISION HISTORY					B: REWORK		E: PARTS TO CONFORM	
					C: SCRAP		F: OTHER	
DATE	REV	CHANGES	REASON	APPROVAL	INVENTORY (A,B,C,D,E,F)	WORK IN PROCESS (A,B,C,F)	SUPPLIER ORDERS (A,E,F)	OPEN CUST ORDERS (A,E,F)
13MAY2013	1	-	INITIAL RELEASE	TONY YUAN	-	-	-	-
30DEC2014	2	EC-1411035 COMPANY LOGO CHANGE	MARKET REQUEST	TONY YUAN	-	-	-	-

Additional Resources: [Product Page](#) [3D Model](#) [PCB Footprint](#) [Technical Documentation](#)

THIS DRAWING IS A CONTROLLED DOCUMENT.

OWN	ROY LIU	13MAY2013
CHK	TOWER YU/ FRANK LIU	13MAY2013
APP'D	TONY YUAN	13MAY2013



trp CONNECTOR DONGGUAN CHINA
a bel group

MODEL NAME	MAGJACK	DESC	1X1 7G140 GIGABIT TAB UP W/ LED
PRODUCT SPEC	SINGLE NON-POE	SIZE	A 1
CAGE CODE		DRAWING NO	C=2250013
CUSTOMER DRAWING		SCALE	3:1
		SHEET	3 OF 3
		REV	2