



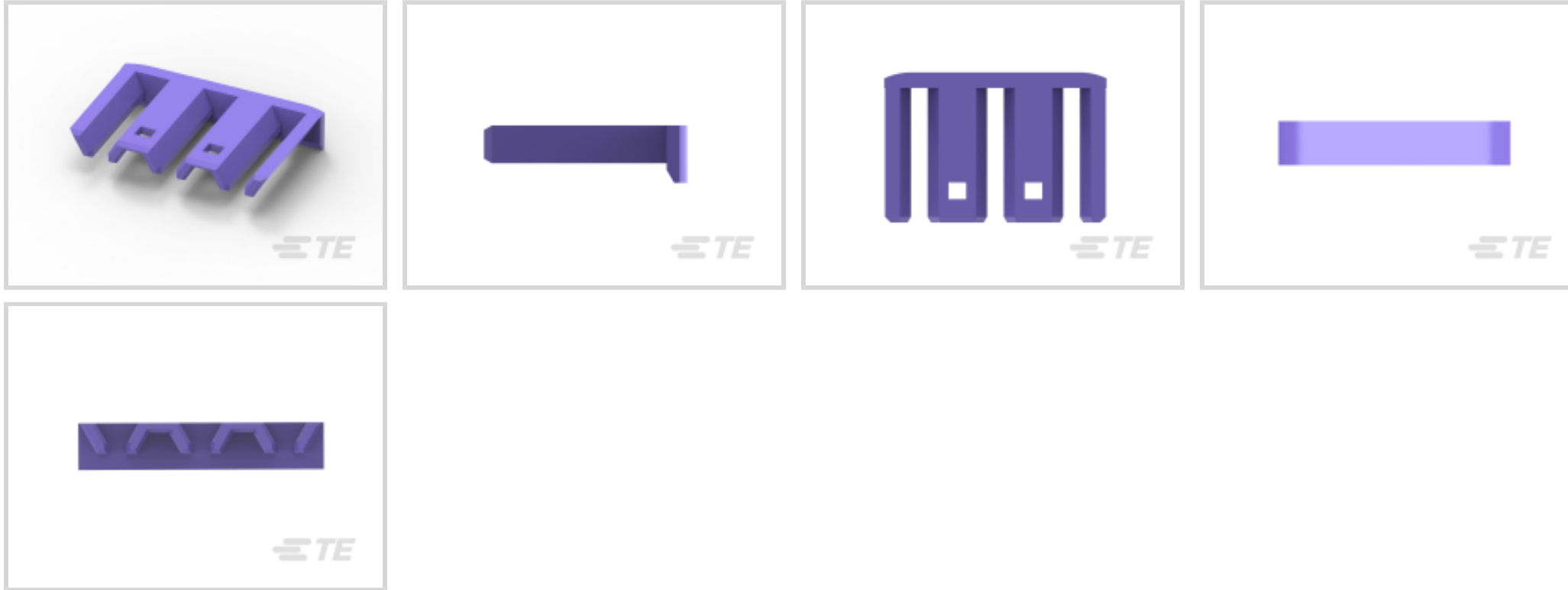
MQS

TE Internal #: 1-1355135-1

Violet, TPA (Terminal Position Assurance), PA GF, -40 – 120 °C [-40 – 248 °F]

[View on TE.com >](#)

Automotive Parts > Automotive Connector Accessories > Automotive Connector Locks & Position Assurance



Primary Product Color: **Violet**

Connector & Contact Retention Accessory Type: **TPA (Terminal Position Assurance)**

Primary Product Material: **PA GF**

Operating Temperature Range: **-40 – 120 °C [-40 – 248 °F]**

Features

Product Type Features

| | |
|--|-----------------------------------|
| Sealable | No |
| Connector & Contact Retention Accessory Type | TPA (Terminal Position Assurance) |

Body Features

| | |
|--------------------------|--------|
| Primary Product Color | Violet |
| Primary Product Material | PA GF |

Usage Conditions

| | |
|-----------------------------|----------------------------|
| Operating Temperature Range | -40 – 120 °C[-40 – 248 °F] |
|-----------------------------|----------------------------|

Industry Standards

| | |
|------------------------|----------|
| UL Flammability Rating | UL 94V-0 |
|------------------------|----------|

Packaging Features

| | |
|------------------|--------|
| Packaging Method | Carton |
|------------------|--------|

Other

| | |
|-------------|-----|
| Serviceable | Yes |
|-------------|-----|

Product Compliance



[For compliance documentation, visit the product page on TE.com>](#)

| | |
|---|---|
| EU RoHS Directive 2011/65/EU | Compliant |
| EU ELV Directive 2000/53/EC | Compliant |
| China RoHS 2 Directive MIIT Order No 32, 2016 | 有害物质含量符合标准要求 No Restricted Substance(s) Above Threshold |
| EU REACH Regulation (EC) No. 1907/2006 | Current ECHA Candidate List: JUNE 2025 (250) Candidate List Declared Against: JUNE 2025 (250) Does not contain REACH SVHC |
| Halogen Content | BFR/CFR/PVC Free, but Br/Cl >900 ppm in other sources. |
| Solder Process Capability | Not applicable for solder process capability |

Product Compliance Disclaimer

This information is provided based on reasonable inquiry of our suppliers and represents our current actual knowledge based on the information they provided. This information is subject to change. The part numbers that TE has identified as EU RoHS compliant have a maximum concentration of 0.1% by weight in homogenous materials for lead, hexavalent chromium, mercury, PBB, PBDE, DBP, BBP, DEHP, DIBP, and 0.01% for cadmium, or qualify for an exemption to these limits as defined in the Annexes of Directive 2011/65/EU (RoHS2). Finished electrical and electronic equipment products will be CE marked as required by Directive 2011/65/EU. Components may not be CE marked. Additionally, the part numbers that TE has identified as EU ELV compliant have a maximum concentration of 0.1% by weight in homogenous materials for lead, hexavalent chromium, and mercury, and 0.01% for cadmium, or qualify for an exemption to these limits as defined in the Annexes of Directive 2000/53/EC (ELV). Regarding the REACH Regulation, the information TE provides on SVHC in articles for this part number is based on the latest European Chemicals Agency (ECHA) 'Guidance on requirements for substances in articles' posted at this URL: <https://echa.europa.eu/guidance-documents/guidance-on-reach>

Compatible Parts



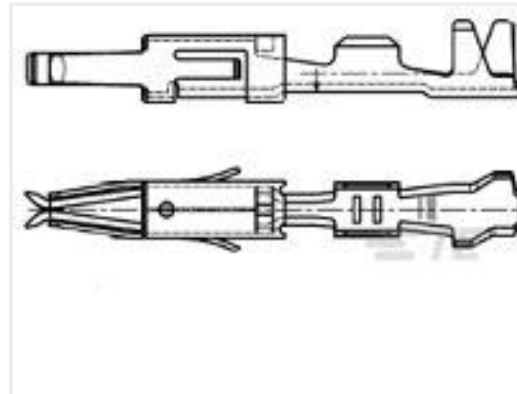
Customers Also Bought



TE Part #CAT-T4827-CH8172
Timer Connector Housing



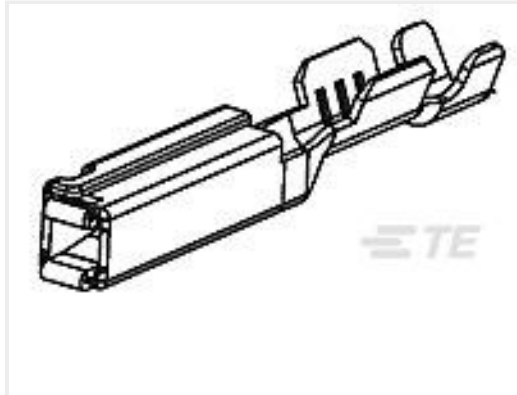
TE Part #928966-2
SPT REC 6.3 Contact SWS Sn



TE Part #962876-5
MT2 REC 1.6 Contact SWS Au



TE Part #2-1355132-1
COVER 94POS



TE Part #1393364-2
V23540X7000Y 12=GET FEM TERM A



TE Part #1473288-1
MICRO TIMER II 6POS SECONDARY



TE Part #2005390-6
JPT SLD 3P PLUG ASSY-1S BLK



TE Part #2236269-2
24POS, MIXED, REC HSG,
20GENYMCP, ASSY, CODB



TE Part #3-2005475-2
PCU SLD 105P PLUG ASSY(B-RH)

Documents

Product Drawings

[RETAINER 94P](#)

English

[RETAINER 94P](#)

English

CAD Files

[3D PDF](#)

3D

Customer View Model

[ENG_CVM_CVM_1-1355135-1_A.2d_dxf.zip](#)

English

Customer View Model

[ENG_CVM_CVM_1-1355135-1_A.3d_igs.zip](#)

English

Customer View Model

[ENG_CVM_CVM_1-1355135-1_A.3d_stp.zip](#)

English

By downloading the CAD file I accept and agree to the [Terms and Conditions](#) of use.



Product Specifications

Product Specification

English

Modular Jack, Single or Dual Port, Surface Mount or Thru-Hole, Economy

English