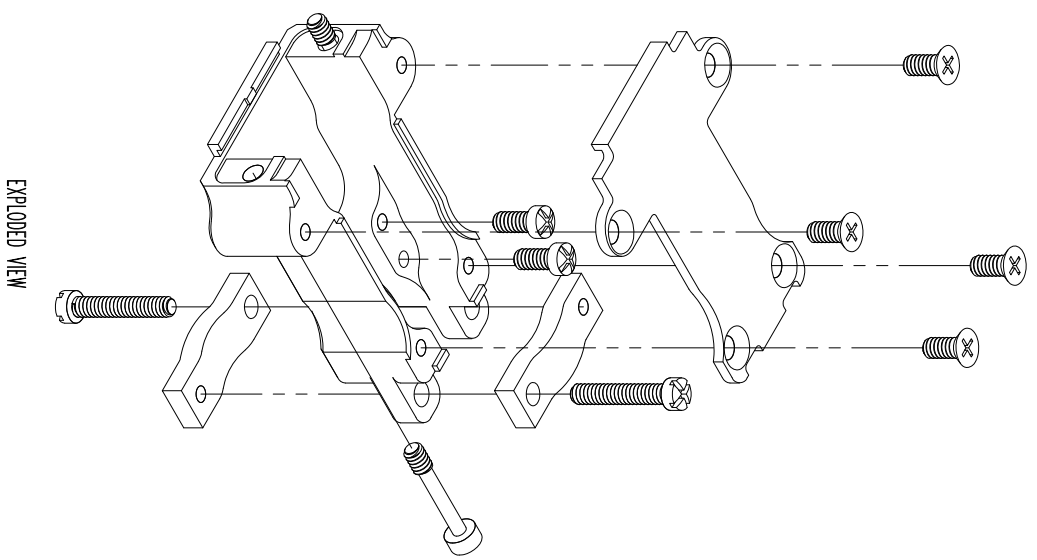
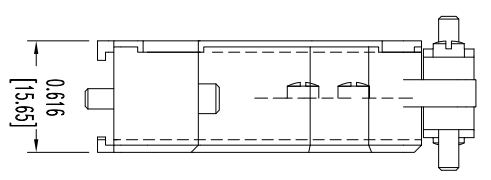
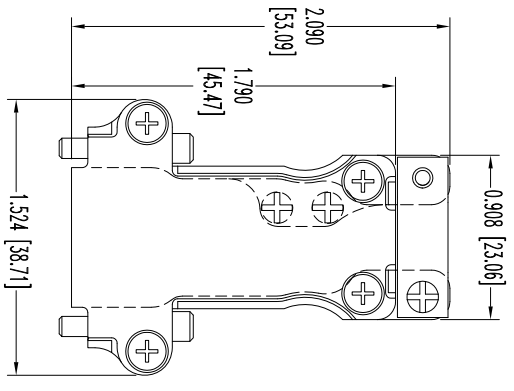
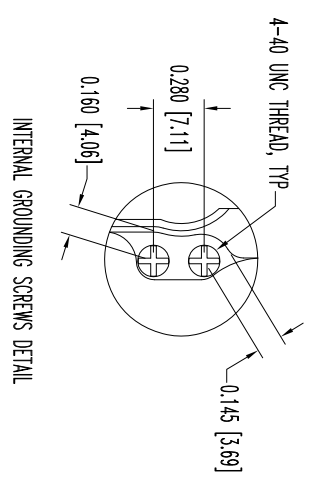
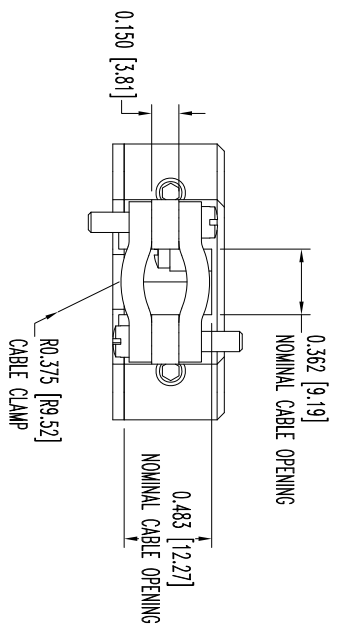


THIS DRAWING CONTAINS INFORMATION PROPRIETARY TO CONNECTPOSITRONIC. IT IS THE PROPERTY OF CONNECTPOSITRONIC AND IS NOT TO BE REPRODUCED OR TRANSMITTED IN ANY FORM OR BY ANY MEANS, ELECTRONIC OR MECHANICAL, INCLUDING PHOTOCOPYING, RECORDING, OR BY ANY INFORMATION STORAGE AND RETRIEVAL SYSTEM. THE USER EMPLOYER'S SUCH INFORMATION AT HIS OWN DISCRETION. RESULTS OBTAINED OR DAMAGES INCURRED FROM USE OF SUCH INFORMATION IN WHOLE OR IN PART.



DATE	REV	REVISION RECORD	APP	DR	CK
11-2	NC	ECO 34671	COLB	ME	COLB
8-12	A	ECO 40433	COLB	BE	COLB

SK12933

- NOTES:
- MATERIAL AND FINISHES:
HOOD, COVER AND CABLE CLAMPS: ALUMINUM, ELECTROLESS NICKEL FINISH.
SCREWS: STEEL, NICKEL FINISH.
 - DETAILED PRODUCT, MECHANICAL, AND ELECTRICAL INFORMATION IS AVAILABLE IN THE LATEST D-SUB ACCESSORY PRODUCT PUBLICATION. VISIT CONNECTPOSITRONIC.COM/PRODUCTS/58/D-SUBMINIATUREACCESSORIES OR CONNECTPOSITRONIC.COM.
 - HOODS ARE COMPLIANT TO THE CURRENT ROHS DIRECTIVE.
 - DIMENSIONS ARE IN INCHES [MILLIMETERS].



POSITRONIC INDUSTRIES INC.
www.connectpositronic.com FSCM 28198

DECIMAL TOL.	± 0.015 [0.38]	SCALE	N.T.S.	DRAWN BY	ME
ANGULAR TOL.	± 5°	TITLE	D SERIES	APPROVED BY	COLB

DATE	11-2-11	DRAWING NUMBER	SK12933	REV.	A
D9000ANE0/AA					