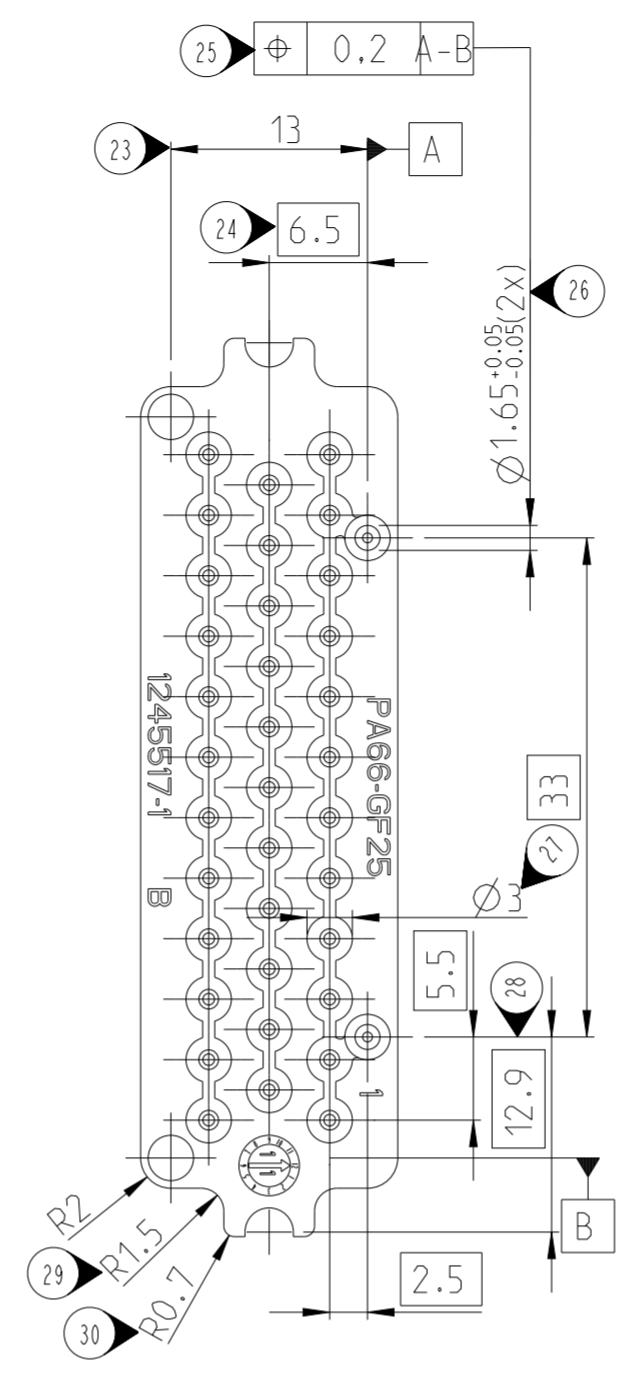
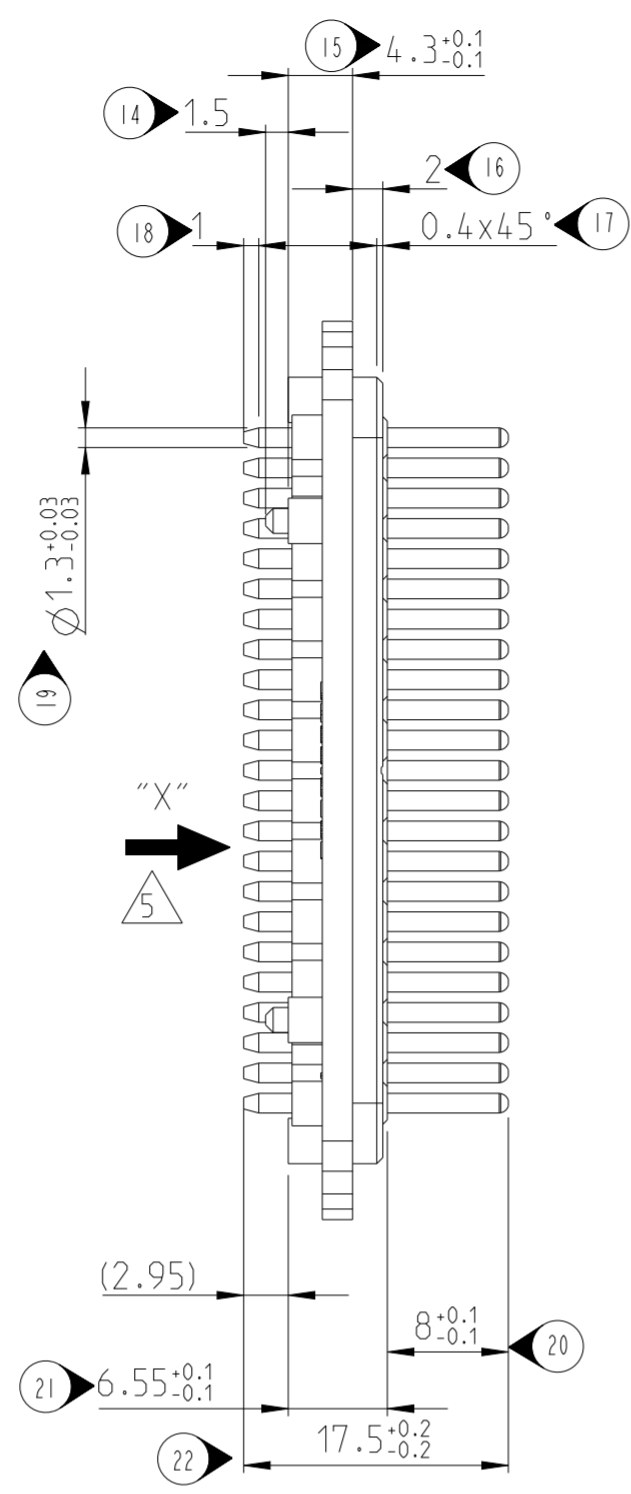
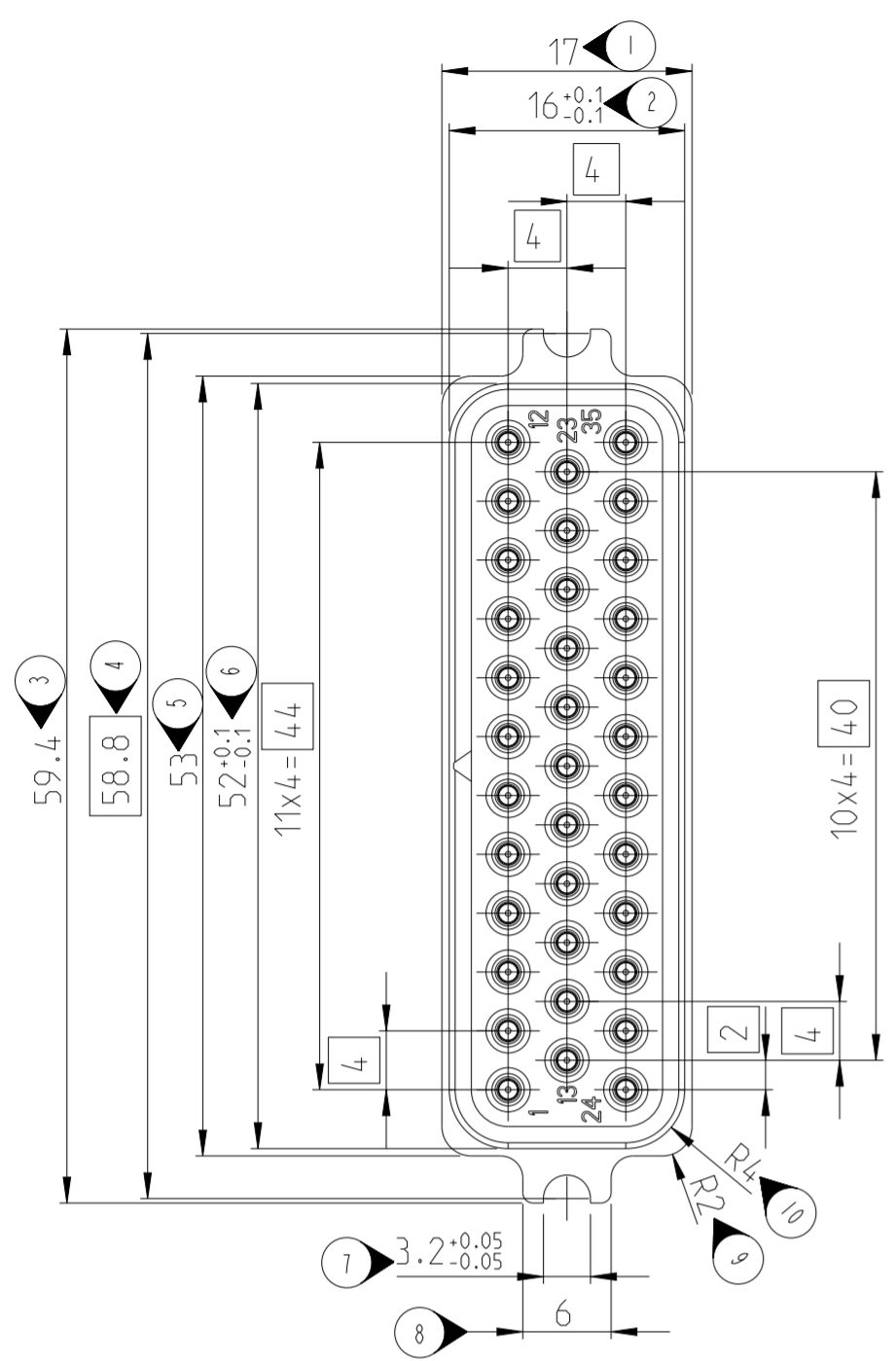
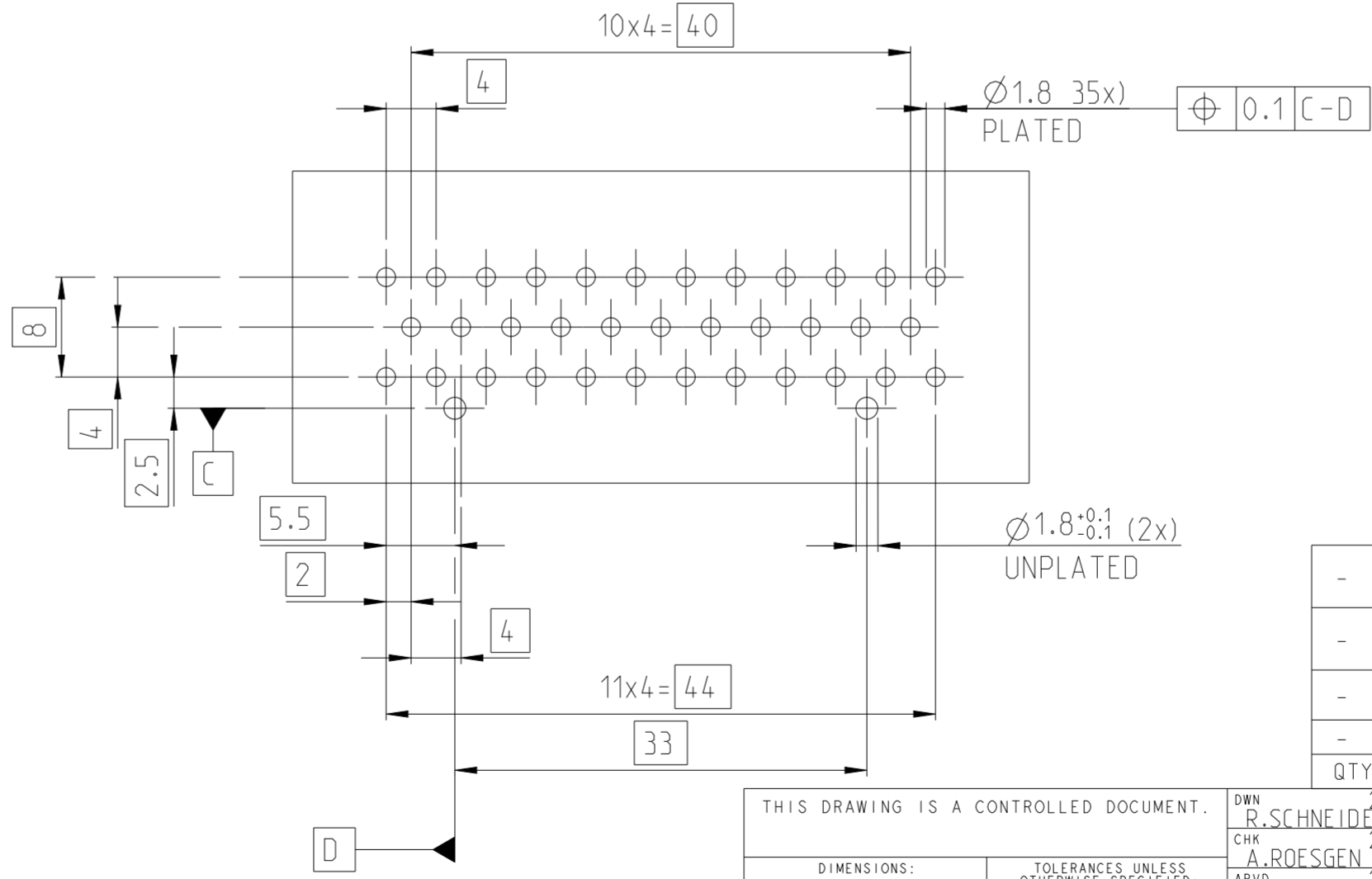


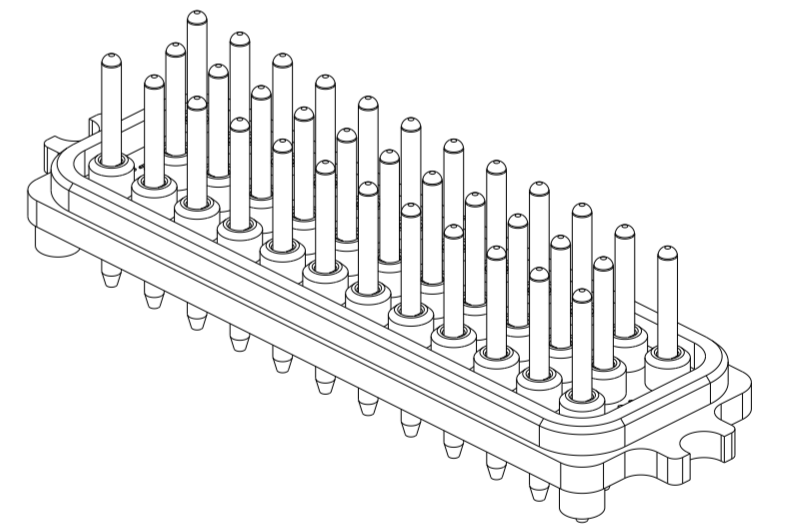
REVISIONS					
P	LTR	DESCRIPTION	DATE	DWN	APVD
B1		ECR-11-011294	26MAY2011	SR	AR
B2		ECR-11-011684	06JUN2011	SR	AR
B3		ECR-11-012551	16JUN2011	VG	AR
B4		ADDED RETENTION FORCE	26JUN2023	G.K	S.P



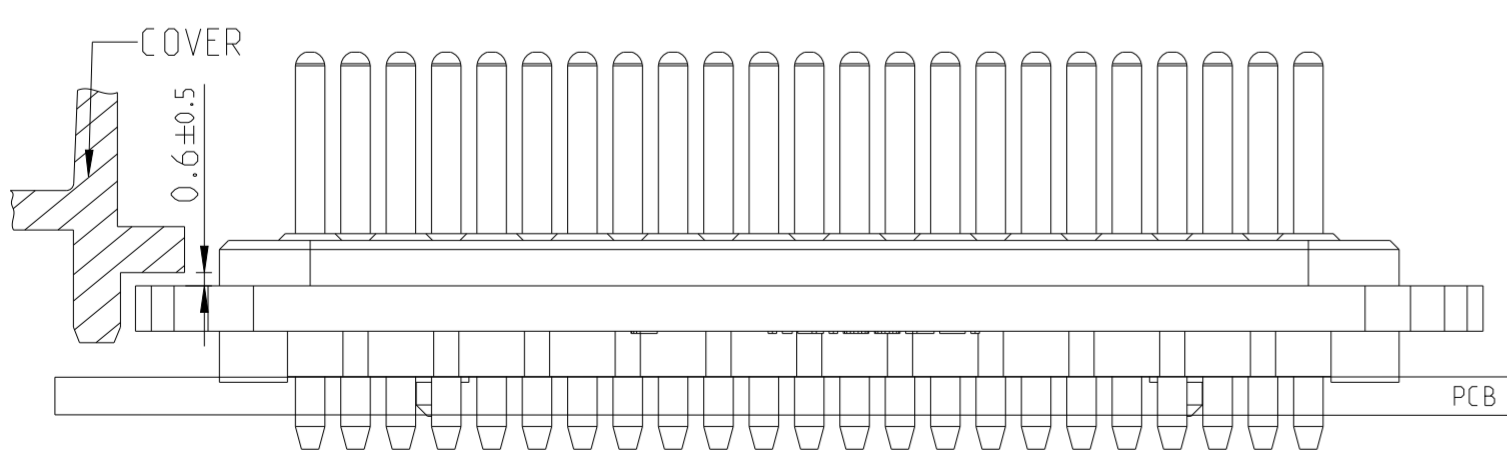
RECOMMENDED PC-BOARD LAYOUT  
EMPFOHLENES LEITERPLATTENLAYOUT



- 1 2.5µm Sn OVER 1.3µm Ni
- 2 PACKAGING:  
30 PIN HEADER PACKED IN TRAY  
8 TRAYS PACKED INTO SHIPPING BOX  
TOTAL PACKAGING UNIT PER BOX: 240 PARTS
- 3 ALL DIMENSIONS 0.1 C-D
- 4 WAVE SOLDER CAPABLE TO 240° C
- 5 PIN RETENTION FORCE IN X-DIRECTION MIN. 20N
- 1 2.5µm Sn UEBER 1.3µm Ni
- 2 VERPACKUNG:  
30 STIFTSTECKER IN PRODUKTTRAEGER VERPACKT  
8 PRODUKTTRAEGER VERPACKT IN KARTON  
KOMPLETTPACK EINHEIT: 240 TEILE
- 3 ALLE MASSE 0.1 C-D
- 4 LOETFAEHIGKEIT BIS MAX. 240° C
- 5 PIN-HALTEKRAFT IN X-RICHTUNG MIN. 20N



INSTALLATION HEIGHT OF PIN HEADER FOR SAFE CONTACTING WITH SOCKET CONNECTOR  
EINBAUHOEHE DER STIFTLISTE FUER SICHERE KONTAKTIERUNG MIT BUCHSENSTECKER



QTY REQD PER ASSY	PARTS LIST					
-	-	-	35	-	PIN STIFT	2
-	-	-	1	1	PIN HOUSING STIFTGEHAEUSE	1
-	-	-	-1	REV.	DESCRIPTION	ITEM NO
-	-	-	-	←	REVISION OF EACH ASSY NO. (WHEN BLANK, USE DWG. REVISION)	

THIS DRAWING IS A CONTROLLED DOCUMENT.

DIMENSIONS: mm	TOLERANCES UNLESS OTHERWISE SPECIFIED:	DWN R. SCHNEIDER 29OCT2010	NAME
	0 PLC ±0.1	CHK A. ROESGEN 29OCT2010	AMP SEAL
	1 PLC ±0.1	APVD Z. LAMPERT 29OCT2010	PIN HEADER 35 POS.
	2 PLC ±0.1	PRODUCT SPEC	
	3 PLC ±0.1	APPLICATION SPEC	
	4 PLC ±0.1	108-1329	
	ANGLES ±1	114-16016	
MATERIAL	FINISH	WEIGHT	SIZE CAGE CODE DRAWING NO RESTRICTED TO
-	-	-	A2 00779 C-1103599
-	-	-	CUSTOMER DRAWING SCALE 5:1 SHEET 1 OF 1 REV B4