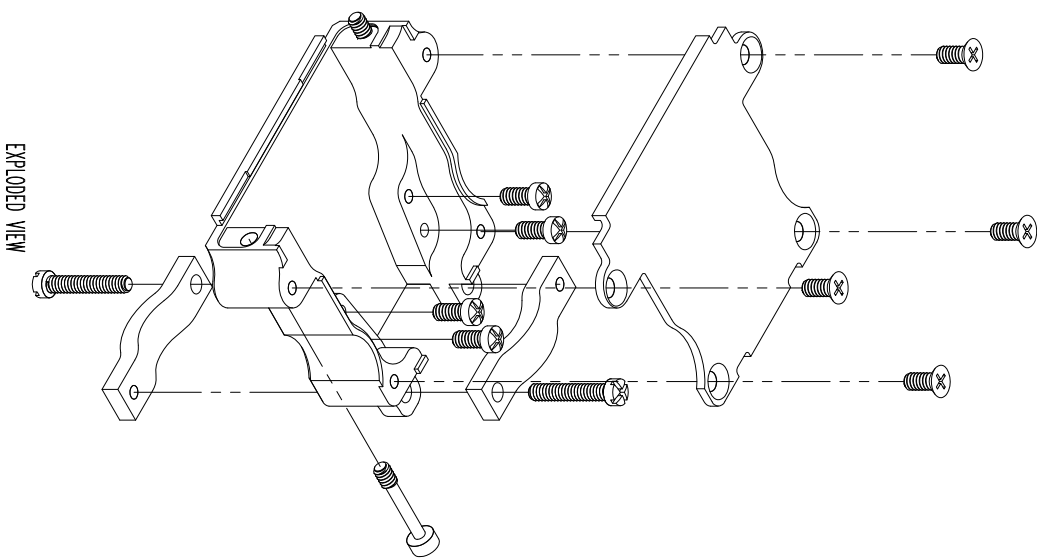
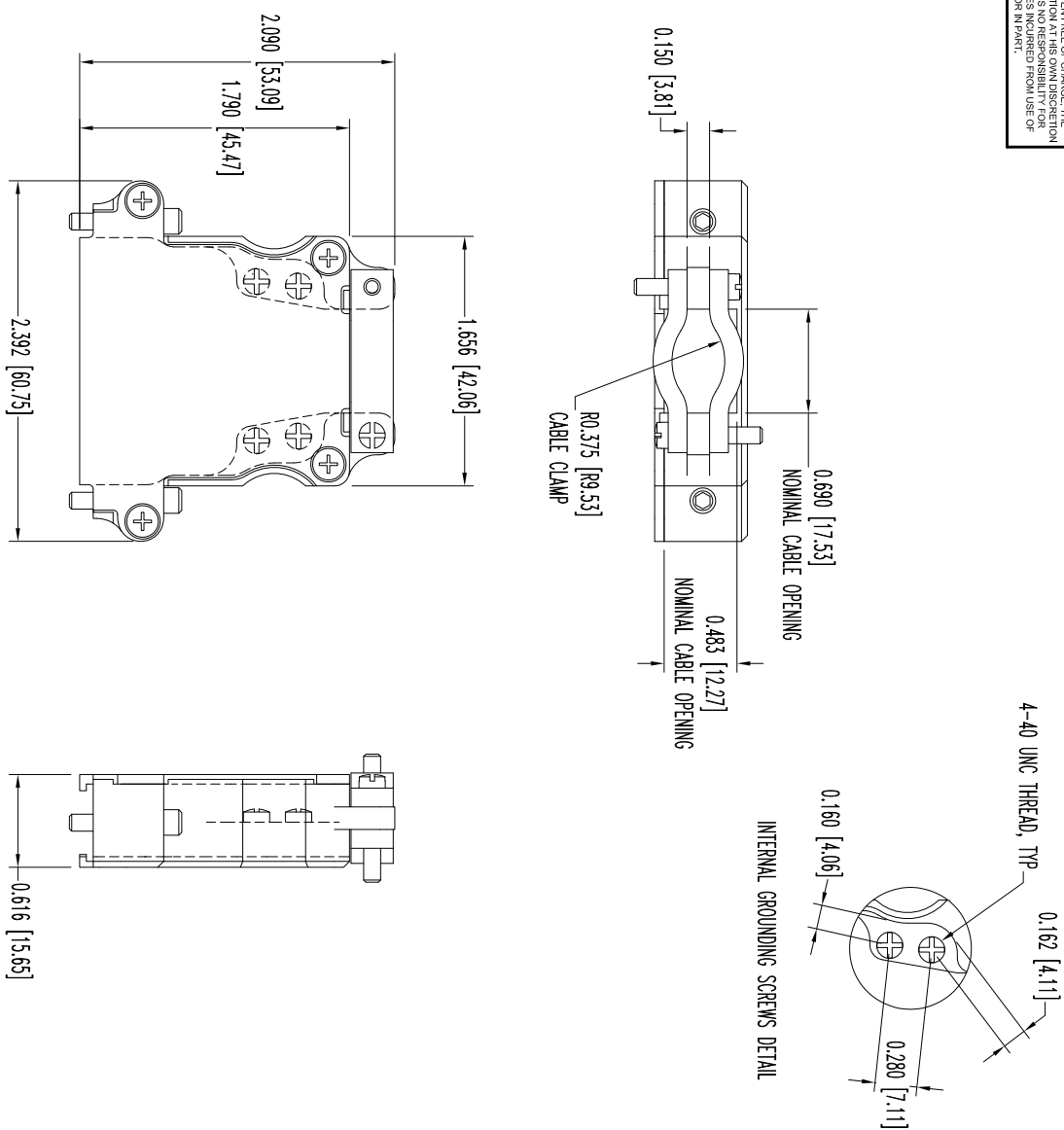


THIS DRAWING CONTAINS INFORMATION PROPRIETARY TO POSITRONIC AND ITS SUBSIDIARIES. POSITRONIC BELIEVES THE DATA ON THIS DRAWING TO BE RELIABLE, SINCE THE USER HAS ASSUMED RESPONSIBILITY FOR OBTAINING THE RESULTS OBTAINED OR DAMAGES INCURRED FROM USE OF SUCH INFORMATION IN WHOLE OR IN PART.



EXPLODED VIEW

DATE	REV	REVISION RECORD	APP	DR	CK
2-2-09	NC	ECO 30614	RCW	SDY	SDY

SK10264

POSITRONIC INDUSTRIES INC.
www.connectpositronic.com

FSCM 28198

D SERIES

DRAWN BY: S. YOUNGKIN
APPROVED BY: R. WILLIAMS

SCALE: N.T.S.

TITLE: D25000ANE0

DATE: 2-2-09

DRAWING NUMBER: SK10264

REV: NC

DECIMAL TOL. ± 0.015 [0.38]

ANGULAR TOL. ± 5°

- NOTES:
- MATERIAL AND FINISHES:
HOOD, COVER AND CABLE CLAMPS: ALUMINUM, ELECTROLESS NICKEL FINISH.
SCREWS: STEEL, NICKEL FINISH.
 - DIMENSIONS ARE IN INCHES [MILLIMETERS].