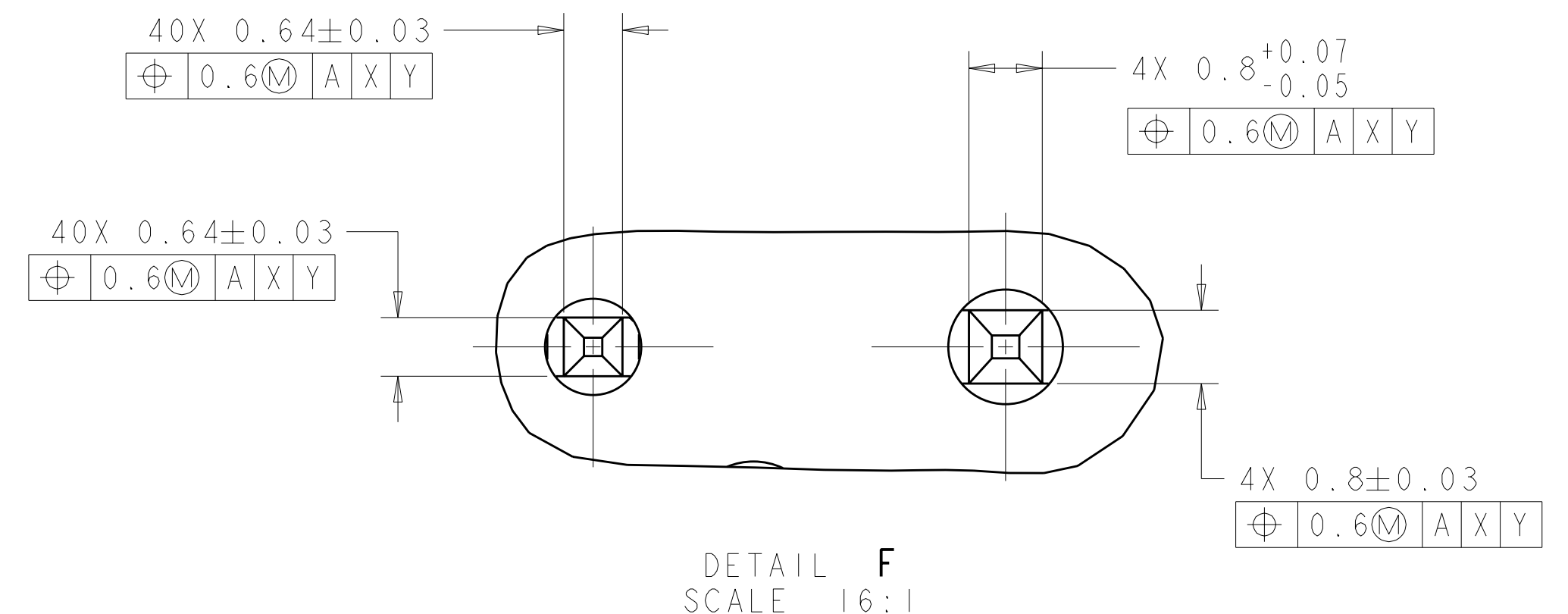
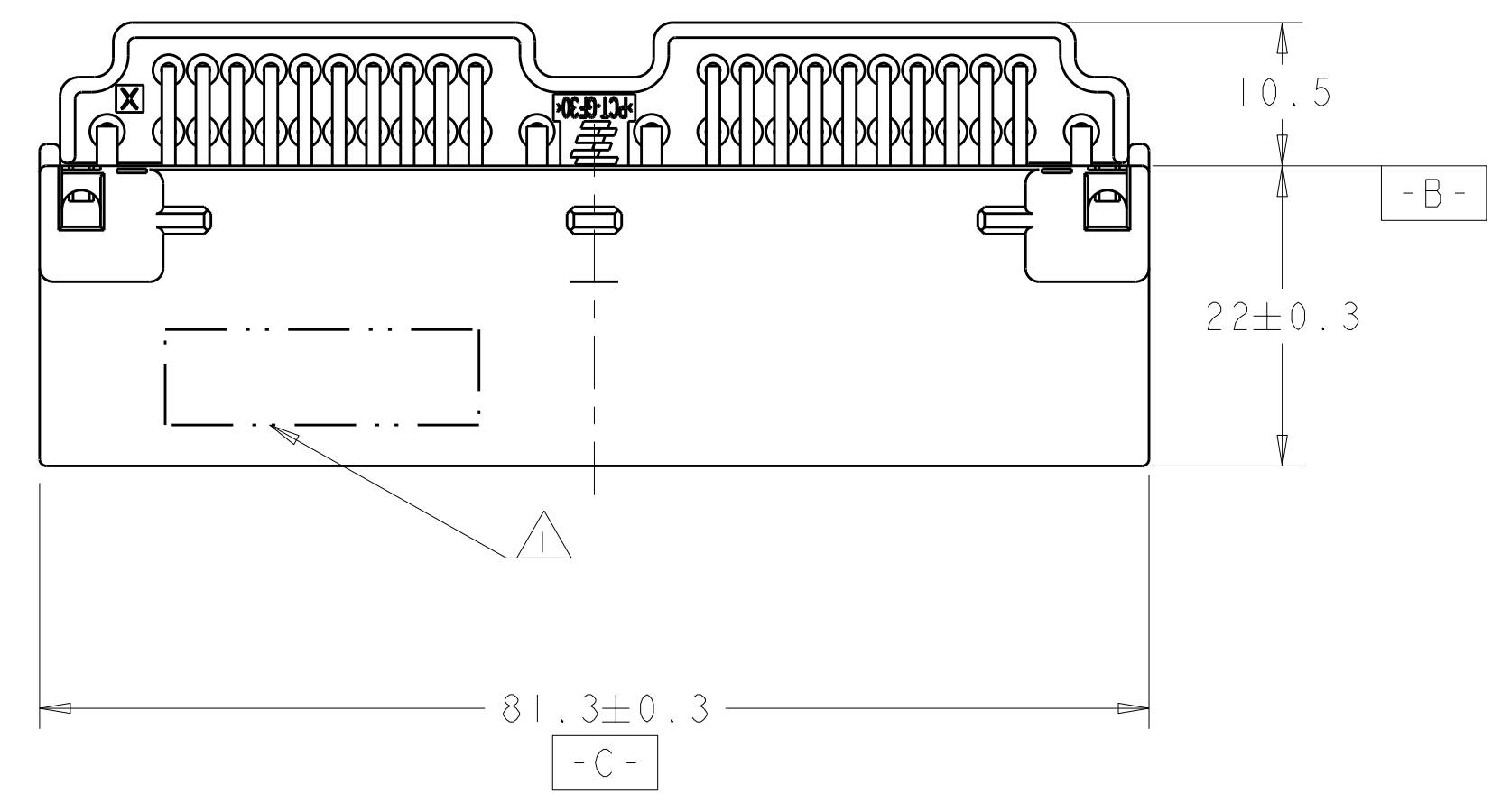
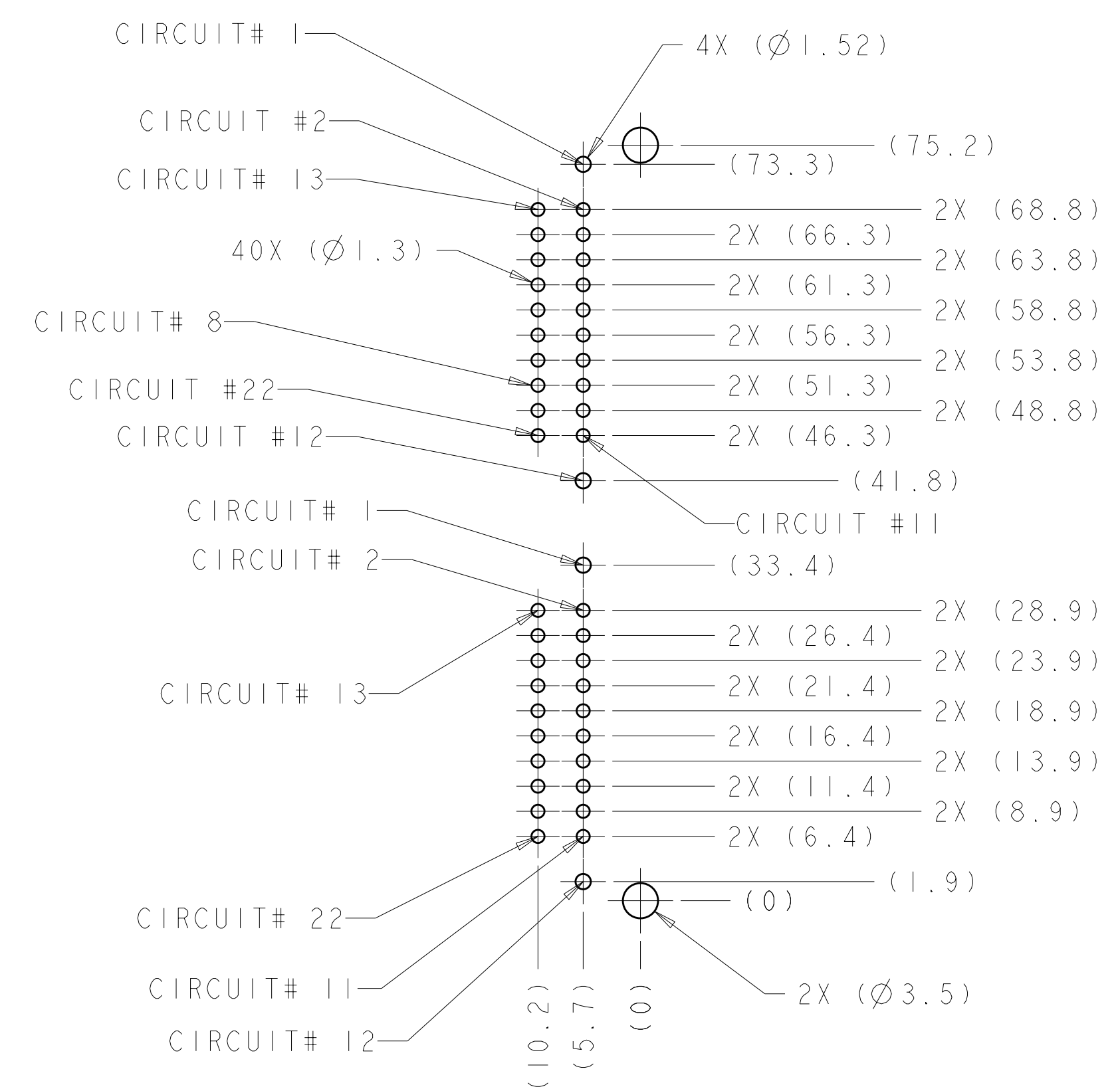
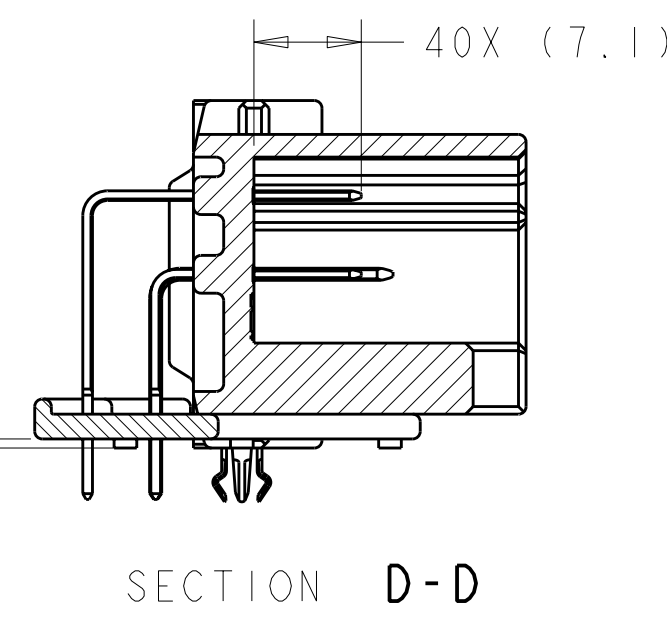


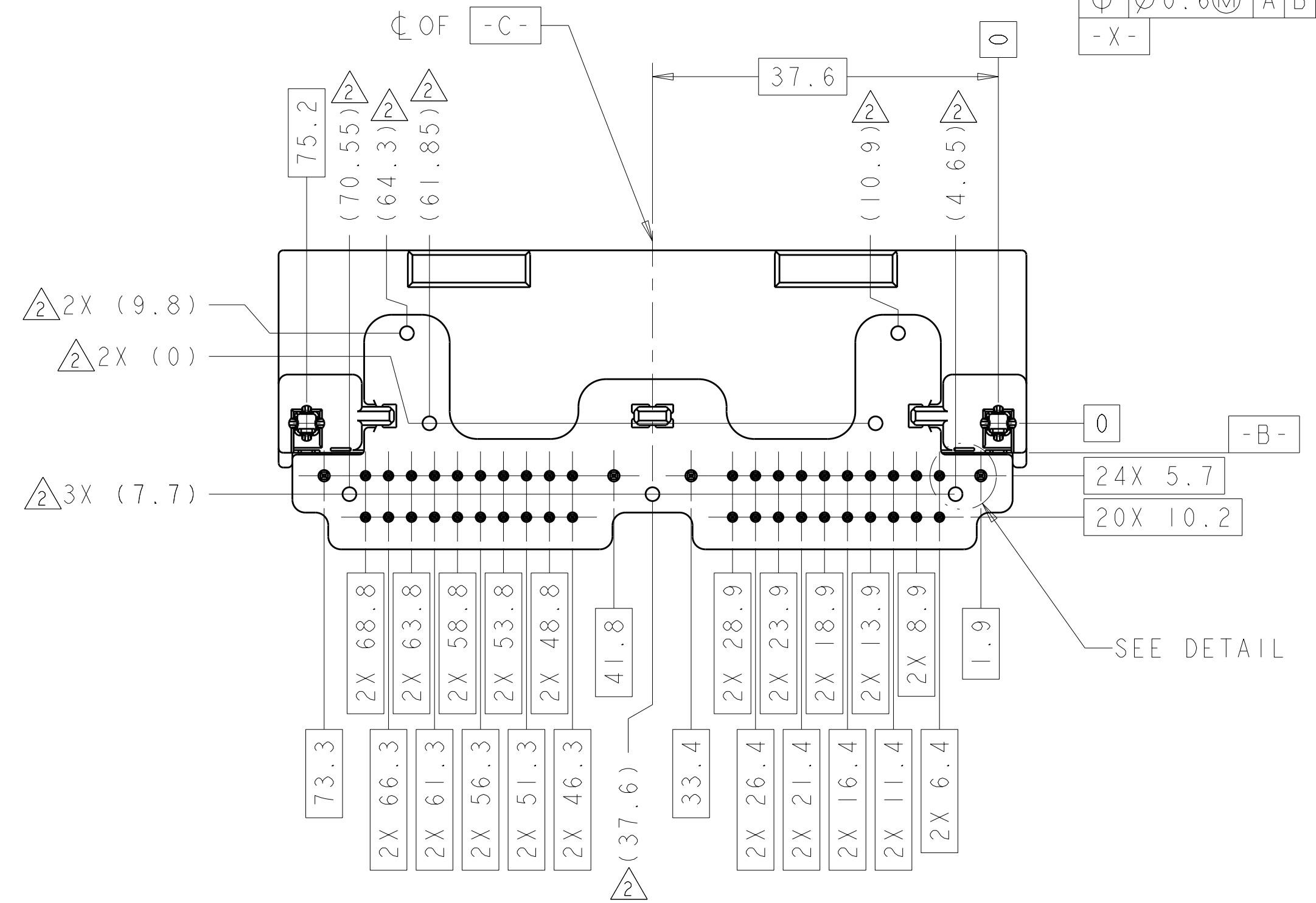
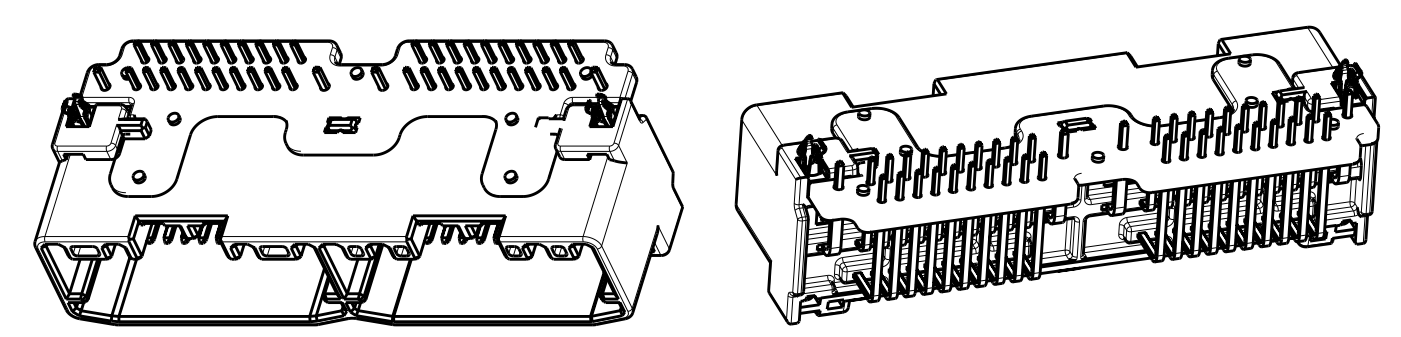
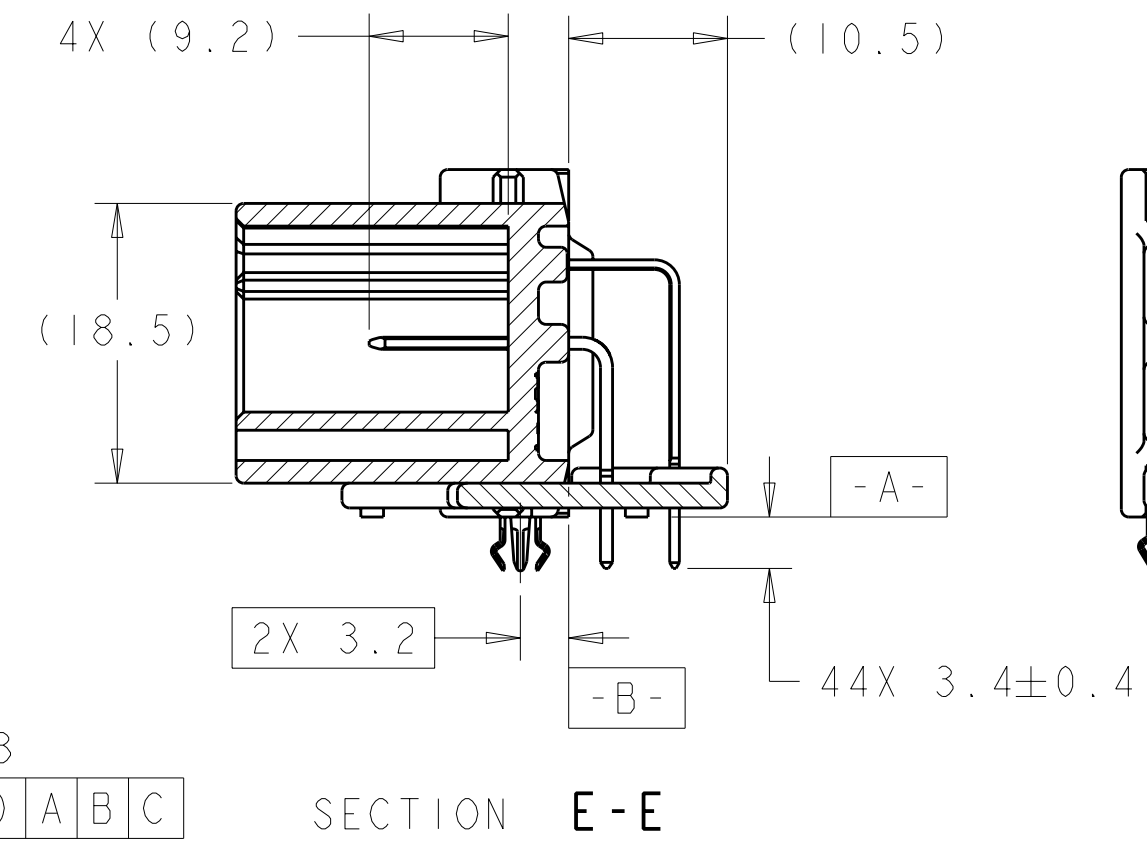
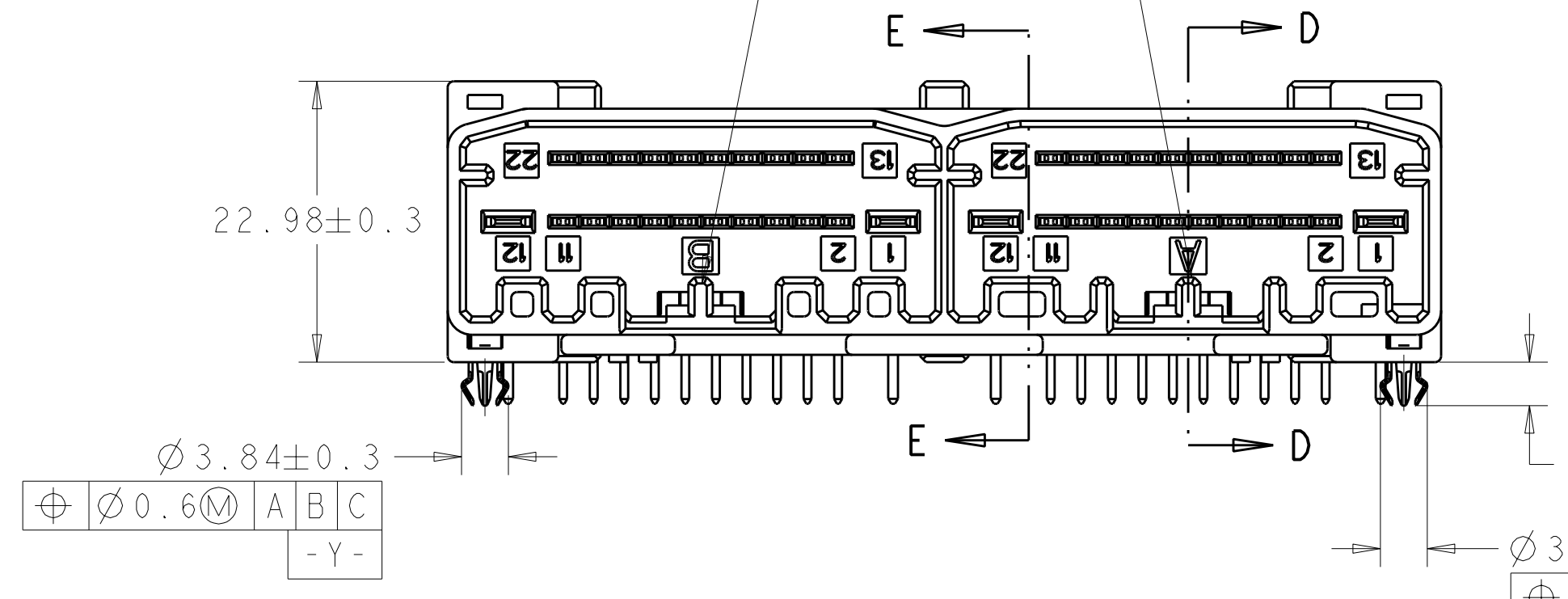
LOC	DIST	REV	DATE	BY	APP'D
IN	00	5	12FEB2009	MBH	BB
		A	01FEB2010	MBH	BB



RECOMMENDED PCB LAYOUT  
 CONNECTOR SIDE  
 (RECOMMENDED BOARD THICKNESS 1.57mm)



MATES WITH TYCO ELECTRONICS PART# 1438759-1 (WHITE)  
 MATES WITH TYCO ELECTRONICS PART# 1438761-6 (GRAY)



NOTES:  
 MARK DATE CODE IN APPROXIMATE LOCATION.  
 STAND-OFF FEATURES

PCT	GRAY	BRASS	POST-TIN	BRASS	POST-TIN	PCT	GRAY	9-1924089-6
MATERIAL	FINISH	MATERIAL	FINISH	MATERIAL	FINISH	MATERIAL	COLOR	PART NO
TINE PLATE		BOARDLOCK		CONTACT		HOUSING		
DIMENSIONS: mm				TOLERANCES UNLESS OTHERWISE SPECIFIED:				DWN M. HITCHCOCK 07JAN2008
MATERIAL				FINISH				CHK B. BUCHTER 07JAN2008
APVD B. BUCHTER 07JAN2008				NAME				Tyco Electronics
PRODUCT SPEC				APPLICATION SPEC				Tyco Electronics Harrisburg, PA 17105-3608
MATERIAL				FINISH				44P CAP ASSEMBLY 040/2.8 HYBRID (2X- 22P HYBRID) PINS SAME SIDE OF CONNECTOR LATCH
WEIGHT				TBD				SIZE CAGE CODE DRAWING NO RESTRICTED TO
CUSTOMER DRAWING				SCALE 2:1				SHEET 1 OF 1 REV A