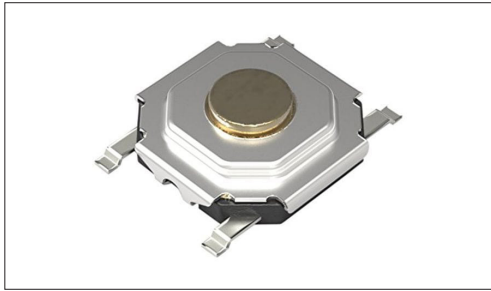


## TACT Switch™ Surface Mount Type

5.2mm Square (Surface Mount)  
SKQG Series

Automotive-compatible compact, thin-profile type with a height of 1.5mm.


 Automotive

- Series type: Sharp feeling type
- Absolute Maximum Ratings: 50mA 12V DC
- Rating (min.): 10 $\mu$ A 1V DC

Applications: Mobile: Notebooks, peripherals  
 Healthcare: Healthcare equipment  
 Automotive: Remote Keyless Entry (RKE), Navigation/audio systems, HVAC, Overhead consoles, Steering, Shifter

## ■ Product List

Products No.	Operating direction	Operating force (N)	Travel (mm)	Operating life (cycles)	Initial contact resistance	Dimensions (WxDxH) (mm)	Water-proof	Dust-proof	Automotive	Drawing No.
SKQGAFE010	Top push	0.98	0.25	500,000	100m $\Omega$ max.	5.2 x 5.2x1.5	—	—	●	1
SKQGABE010	Top push	1.57	0.25	1,000,000	100m $\Omega$ max.	5.2 x 5.2x1.5	—	—	●	
SKQGADE010	Top push	2.55	0.25	100,000	100m $\Omega$ max.	5.2 x 5.2x1.5	—	—	●	
SKQGAKE020	Top push	3.43	0.25	100,000	100m $\Omega$ max.	5.2 x 5.2x1.5	—	—	●	

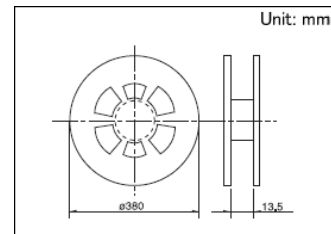
 Note

1. This catalog shows only outline specifications. When using the products, please obtain formal specifications for supply.
2. Please place purchase orders for taping products per minimum order unit (1 reel or a case).

## ■ Packing Specifications

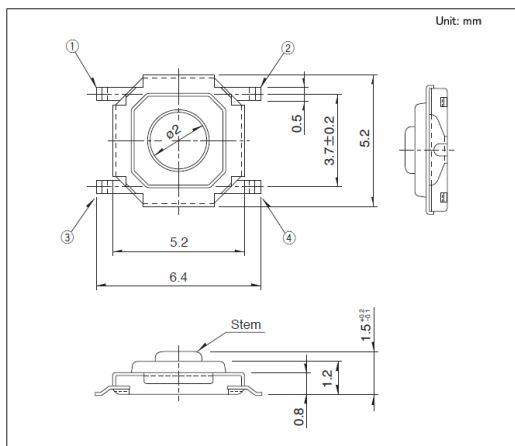
## Taping

Number of packages (pcs.)			Tape width (mm)	Export package measurements (mm)
1 reel	1 case / Japan	1 case / export packing		
4,000	40,000	40,000	12	395 x 395 x 205

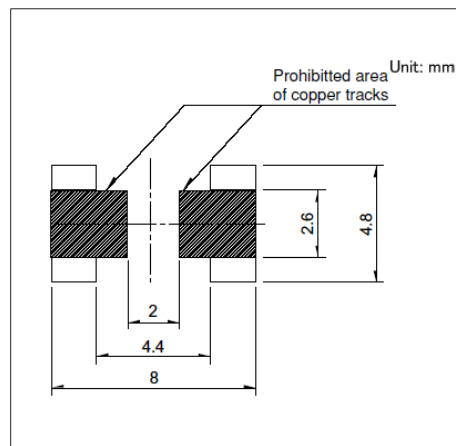


## Drawing No. 1

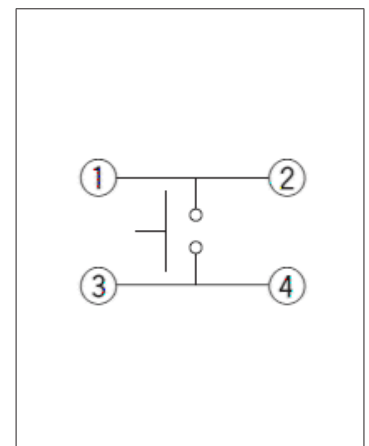
## ■ Dimensions



## ■ Land Dimensions



## ■ Circuit Diagram



Viewed from mounting face.