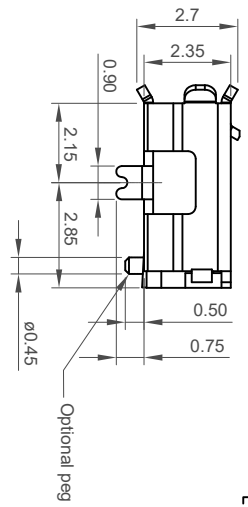
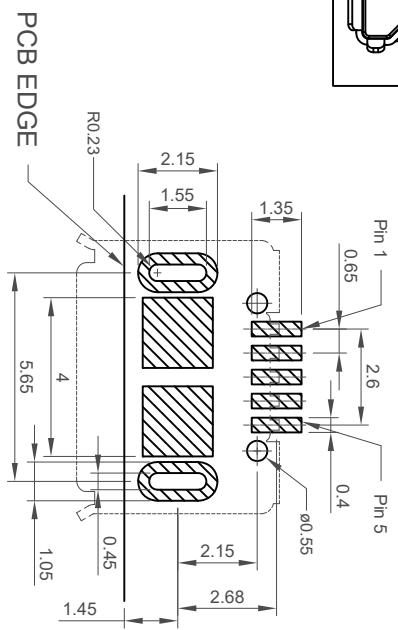
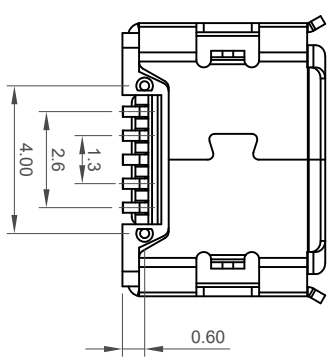
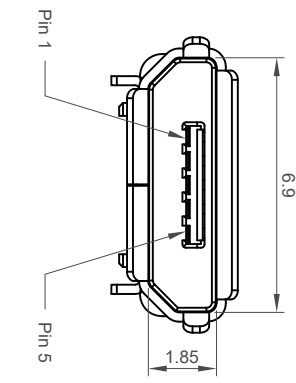
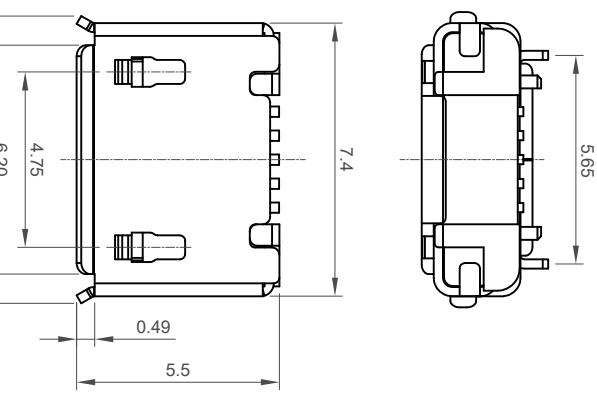
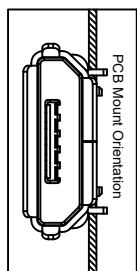


Designed to comply with physical, electrical and environmental requirements of Micro USB Standard (USB2.0).



**Ordering Grid**

USB3080 - 30 - XX - A

**Contact Plating**  
30 = 30u" Gold

**Packing Options**  
A = Tape & Reel  
(1.5K per Reel)

**Optional Plastic Locating Peg**  
00 = Without Peg  
01 = With Peg (Standard)

**Request Samples and Quotation**

Part Number		Product Description	
USB3080		Micro USB Receptacle, TYPE B, SMT, R/A, Bottom Mount, Optional Peg, With Shell Stakes	
Drawing Date		04th April 2011	
By	CC	Tolerances (Exempt as Noted)	Units
USB3080	E-PSN	Length	Metric (mm)
Detail	E2	X.X ± 0.40	X.X ± 0.25
Revision		X.XXX ± 0.25	X.XX ± 1"
Date		X.XXX ± 0.05	X.XXX ± 0.5
15/02/17			

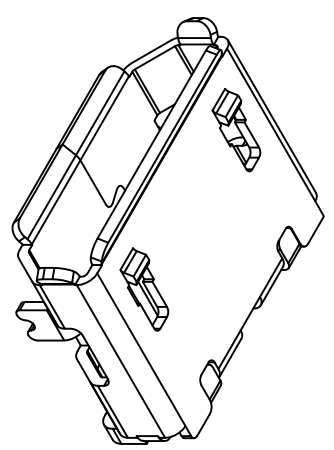
**Specifications 规格:**

**Materials 材料:**  
 Plastic Housing 塑胶外壳: LCP, UL94V-0, Black: LCP, UL94V-0 黑色  
 Contact Terminal 接触端子: Copper Alloy 铜合金  
 Metallic Shell 金属外壳: Stainless Steel 不锈钢 SUS 304 T = 0.25mm

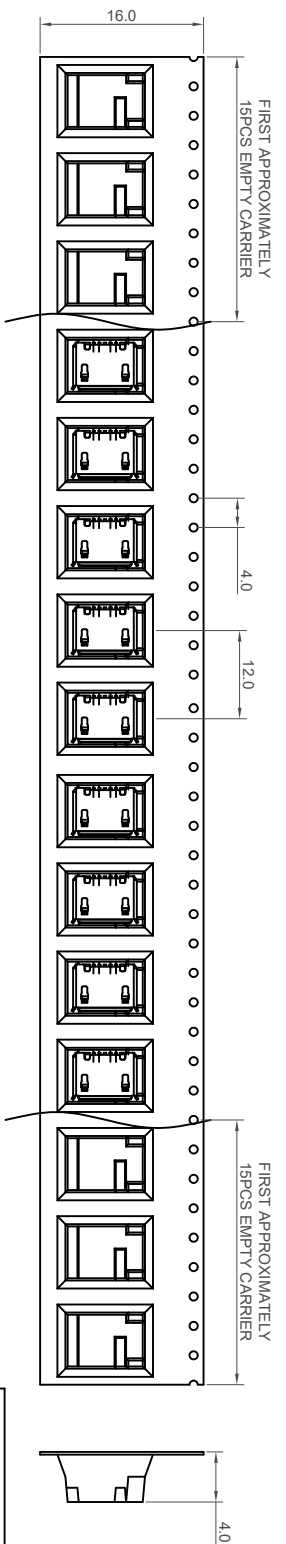
**Plating 电镀:**  
 Underplating 底层电镀: 50u" Nickel, 50u" 镍  
 Finish 表面处理: Contact Area 接触面积: 30u" Gold Plating, 30u" 镀金  
 Solder Tails 焊接末端: Gold Flash 镀金  
 Metallic Shell 金属外壳: Matte Tin 雾锡

**Electrical 电气规格:**  
 Voltage Rating 电压额定值: 30 V AC  
 Current Rating 电流额定值: Signal(Pins 2,3,4)信号:1.0 A, Power (Pins 1,5)电源:1.8A.  
 Operating Temperature 工作温度: -30°C to +85°C  
 Contact Resistance 接触电阻值: 30mΩ Max.  
 Insulating Resistance 绝缘电阻值: 1000MΩ Min.  
 Dielectric Withstand Voltage 耐电压: 500V AC/Min/ute

**Mechanical 机械性规格:**  
 Mating Force 插入力: 35N Max.  
 Unmating Force 拔出力: Initial 10N min, Final 8N min after durability test.  
 Durability 耐久性: 10,000 Cycles 次插拔

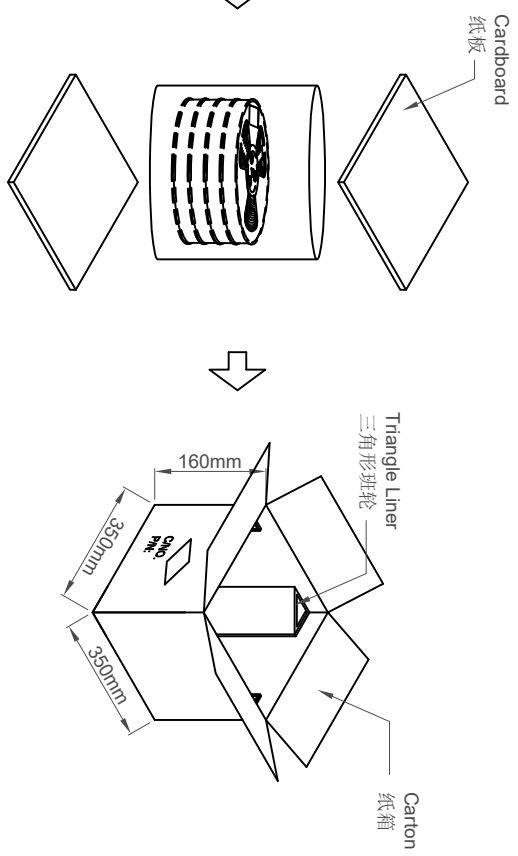
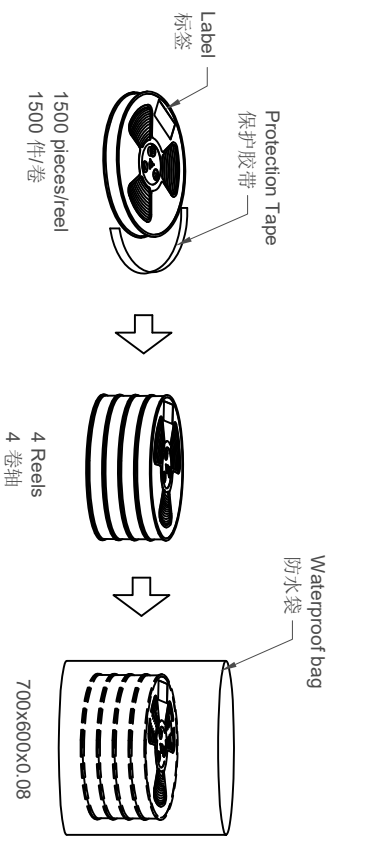
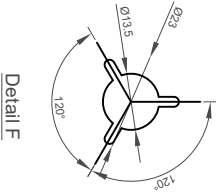
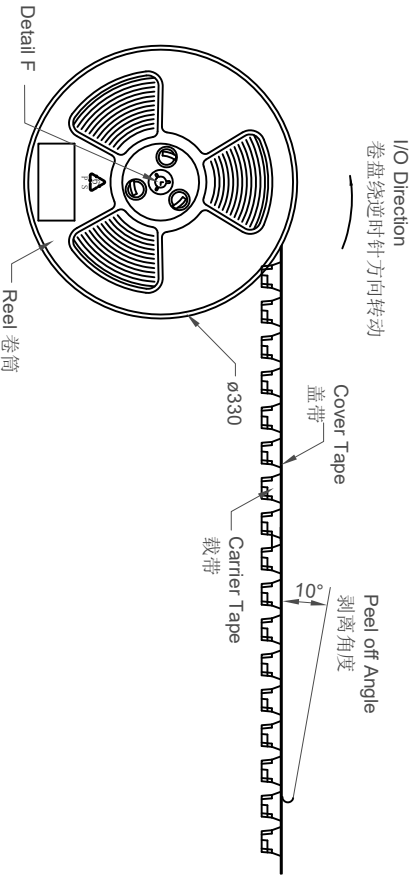


Not to Scale	Drawn By	Sheet No.
	SA	1/2



Products P/N	PCS/Reel	Reels/Carton	PCS/Carton
USB3080-30-XX-A	1500	4	6000

- Notes/注意:
1. Peeling off force of top tape: 0.1-1.3N
  2. Part Conforms to EIA-481-C Standard's 产品符合 EIA-481-C 标准
  3. All dimensions in millimeters 所有尺寸均是毫米
  4. 10 sprocket hole pitch cumulative tolerance±0.2mm



Part Number		Product Description		Units				This drawing is confidential and copyright of Global Connector Technology, Ltd (GCT). This drawing must not be copied or disclosed without written consent. E & OE	
USB3080		Micro USB Receptacle, TYPE B, SMT, R/A, Bottom Mount, Optional Peg, With Shell Stakes		Metric (mm)					
Drawing Date		Tolerances (Esomit as Noted)		Length				Not to Scale	
04th April 2011				Angle					
By		CC		Metric (mm)			Copyright of Global Connector Technology, Ltd (GCT)	Drawn By SA	
Detail		E PCN		Metric (mm)					
Revision		E2		Metric (mm)			This drawing is confidential and copyright of Global Connector Technology, Ltd (GCT). This drawing must not be copied or disclosed without written consent. E & OE	Sheet No. 2/2	
Date		15/02/17		Metric (mm)					