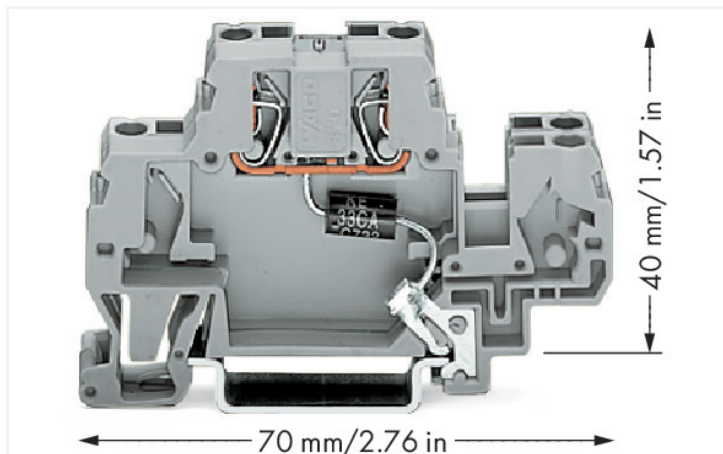


Data Sheet | Item Number: 870-523/281-589

Component terminal block; double-deck; with suppressor diode; 24 VDC; for DIN-rail 35 x 15 and 35 x 7.5; 2.5 mm²; CAGE CLAMP®; gray

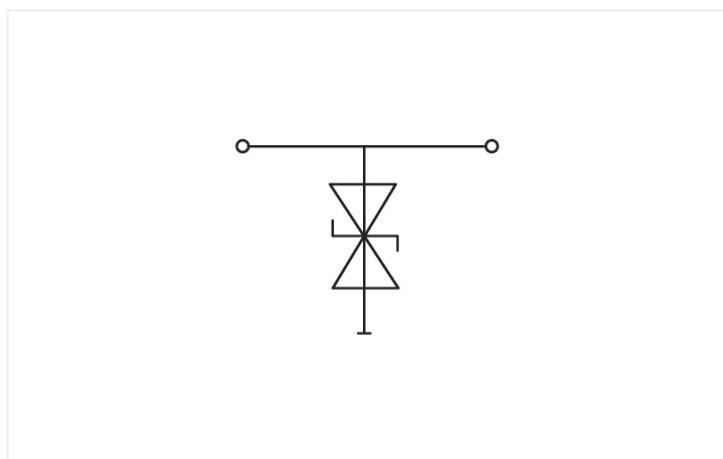
<https://www.wago.com/870-523/281-589>



Color: ■ gray

Similar to illustration

Similar to illustration



Notes

Safety Information

- Installation must be performed by qualified personnel only.
- The DIN-rail must be grounded.
- The input current must be protected by a suitable fuse.
- Protection against contact with stored charges must be ensured.
- Do not insert or remove pluggable modules when energized.
- The IP20 protection rating must be maintained in the assembled state or when using an end/intermediate plate compatible with the rail-mount terminal block.

Electrical data

Nominal operating voltage	24 VDC
Maximum continuous voltage	28 VDC
Rated continuous current	20 A
Nominal discharge current (8/20 μ s) (line)	169 A
Protection level (8/20 μ s)	\leq 59 VDC
Capacitance	\leq 2.7 nF

Connection Data

Connections (number)	2
Connection technology	CAGE CLAMP®
Solid conductor	0.08 ... 2.5 mm ² / 28 ... 14 AWG
Fine-stranded conductor	0.08 ... 4 mm ² / 28 ... 12 AWG
Fine-stranded conductor; with insulated ferrule	0.08 ... 1.5 mm ² / 28 ... 14 AWG
Strip length	6 ... 7 mm / 0.24 ... 0.28 inches

Physical data

Width	10 mm / 0.394 inches
Height	70 mm / 2.756 inches
Depth from upper-edge of DIN-rail	40 mm / 1.575 inches

Mechanical data

Mounting type	DIN-35 rail
---------------	-------------

Material data

Color	gray
Insulation material (main housing)	Polyamide (PA66)
Material group	I
Flammability class per UL94	V0
Fire load	0.238 MJ
Weight	11.3 g

Environmental requirements

Processing temperature	-35 ... +85 °C
------------------------	----------------

Commercial data

Product Group	16 (Rail Mounted Terminal Blocks with CCC)
PU (SPU)	25 pcs
Packaging type	Box
Country of origin	DE
GTIN	4050821868385
Customs tariff number	85369010000



Product Classification	
UNSPSC	39121410
eCl@ss 10.0	27-14-11-27
eCl@ss 9.0	27-14-11-27
ETIM 9.0	EC000903
ETIM 10.0	EC000903
ECCN	NO US CLASSIFICATION

Environmental Product Compliance	
CAS-No.	7439-92-1
REACH Candidate List Substance	Lead
RoHS Compliance Status	Compliant, No Exemption
SCIP notification number (Austria)	3f7854fe-331b-43c5-beb6-aa2ee7617f01
SCIP notification number (Belgium)	2c14d32a-04aa-4bcd-8920-db9acfc3e48e
SCIP notification number (Bulgaria)	3976c73e-c523-499d-b8c2-b3e87b322529
SCIP notification number (Czech Republic)	794ac4ce-ab0c-47fe-947e-8b116cf8b504
SCIP notification number (Denmark)	1db55334-137d-4747-8a57-d726d3370aaf
SCIP notification number (Finland)	d7cd0f56-42fb-4c2b-ae9f-b5ade57c968e
SCIP notification number (France)	9cc8975d-7ff1-41f9-8a04-260fcc1abe02
SCIP notification number (Germany)	1e183787-15e2-462a-86ca-04ea2f6578dc
SCIP notification number (Hungary)	6b9668ab-f052-4a72-813e-d1bdbf3f2d0a
SCIP notification number (Italy)	0df30c88-daaa-47b0-9bbf-1c387181a1e9
SCIP notification number (Netherlands)	f9027f9c-76dc-4e43-8df7-008b2e26e513
SCIP notification number (Poland)	24dcbf84-a3c9-48ba-9f58-6834fa9830f1
SCIP notification number (Romania)	c7dbeatf6-e6f2-4b1e-81e7-bc278dc417c9
SCIP notification number (Sweden)	aad8849f-240e-4d36-b74c-c58110cdce94

Downloads





Environmental Product Compliance

Compliance Search	
Environmental Product Compliance 870-523/281-589	↓

Documentation

Bid Text			
870-523/281-589	19.02.2019	xml 3.30 KB	↓
870-523/281-589	11.02.2015	doc 25.50 KB	↓

CAD/CAE-Data

CAD data	CAE data
2D/3D Models 870-523/281-589 	EPLAN Data Portal 870-523/281-589 
	WSCAD Universe 870-523/281-589 
	ZUKEN Portal 870-523/281-589 

1 Compatible Products

1.1 Optional Accessories

1.1.1 End plate

1.1.1.1 End plate



Item No.: 870-518

End and intermediate plate; 2 mm thick; gray

Item No.: 870-519

End and intermediate plate; 2 mm thick; orange

1.1.2 Insulation stop

1.1.2.1 Insulation stop



Item No.: 280-470

Insulation stop; 0.08 - 0.2 mm² "s" (0.14 mm² "f-st"); 5 pieces/strip; white

Item No.: 280-471

Insulation stop; 0.25 - 0.5 mm²; 5 pieces/strip; light gray

Item No.: 280-472

Insulation stop; 0.75 - 1 mm²; 5 pieces/strip; black

1.1.3 Jumper

1.1.3.1 Jumper



Item No.: 280-492

Jumper; 2-way; insulated; gray

1.1.4 Marking

1.1.4.1 Marker



Item No.: 2009-145

Mini-WSB Inline; for Smart Printer; 1700 pieces on roll; stretchable 5 - 5.2 mm; plain; snap-on type; white

Item No.: 248-501

Mini-WSB marking card; as card; not stretchable; plain; snap-on type; white

1.1.5 Tool

1.1.5.1 Operating tool



Item No.: 210-720

Operating tool; Blade: 3.5 x 0.5 mm; with a partially insulated shaft; multicoloured