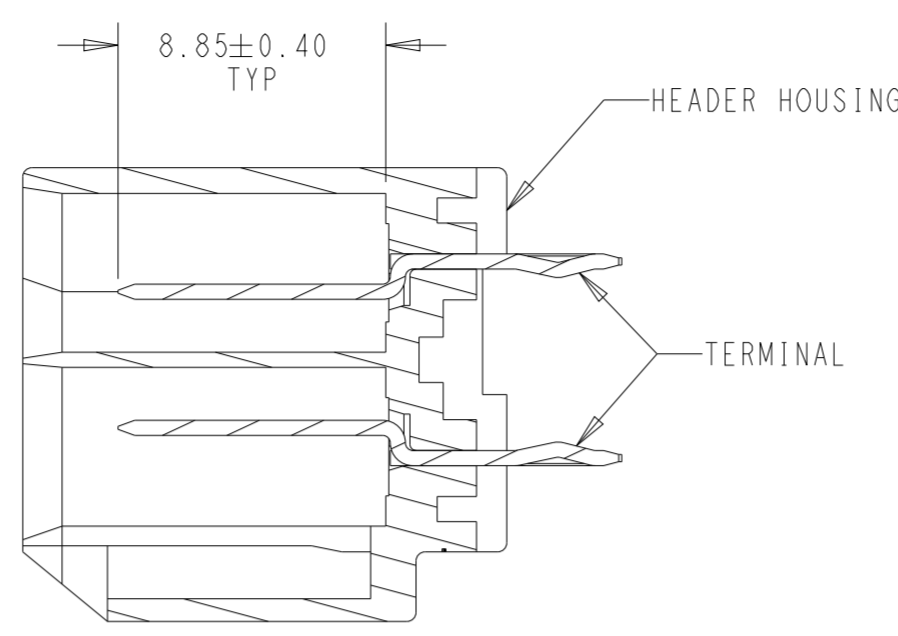
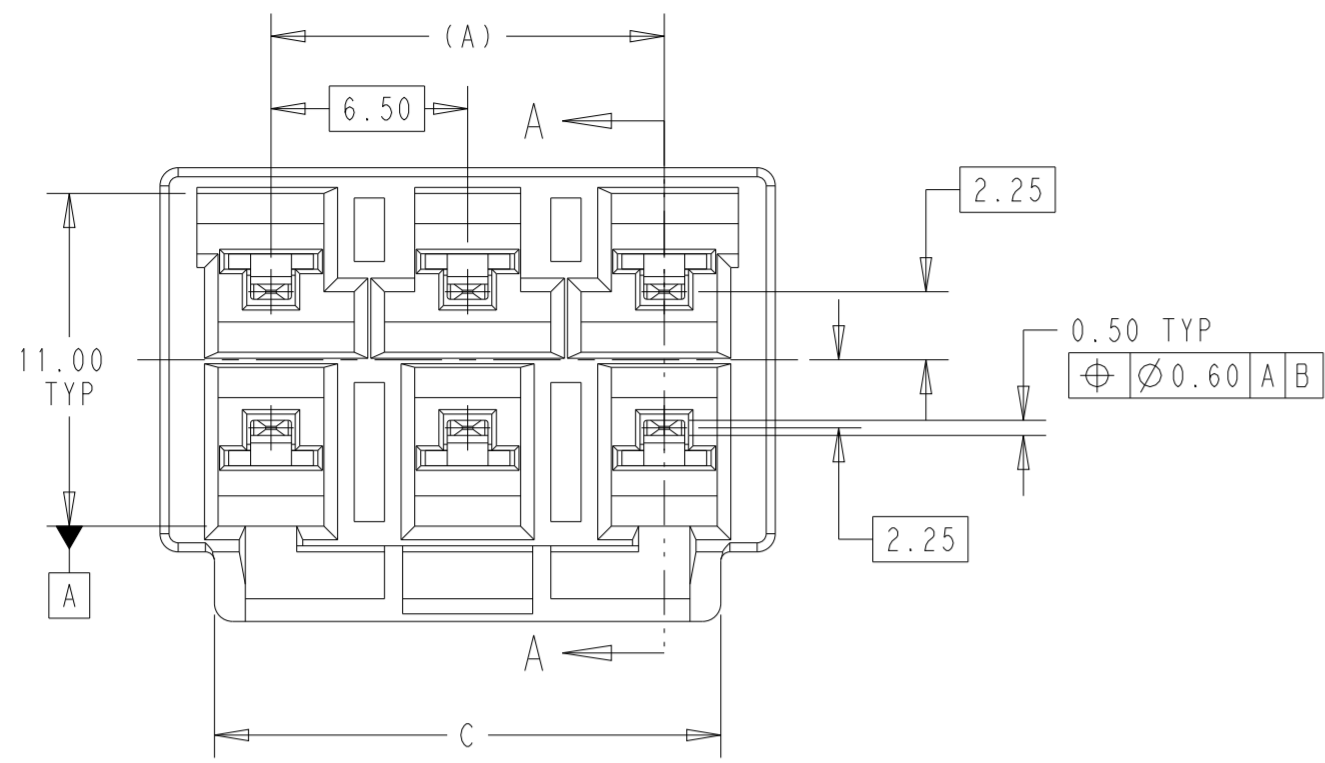
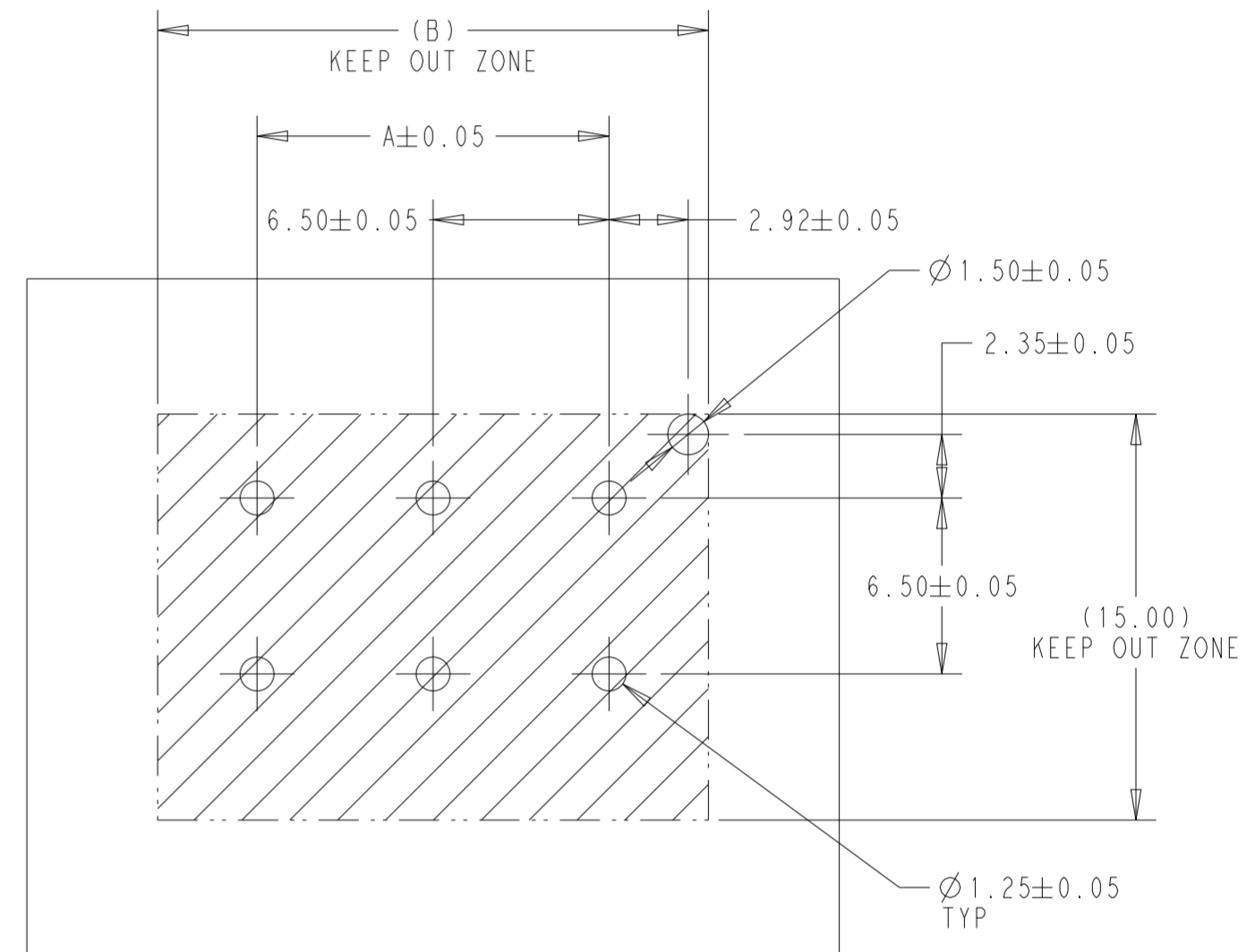
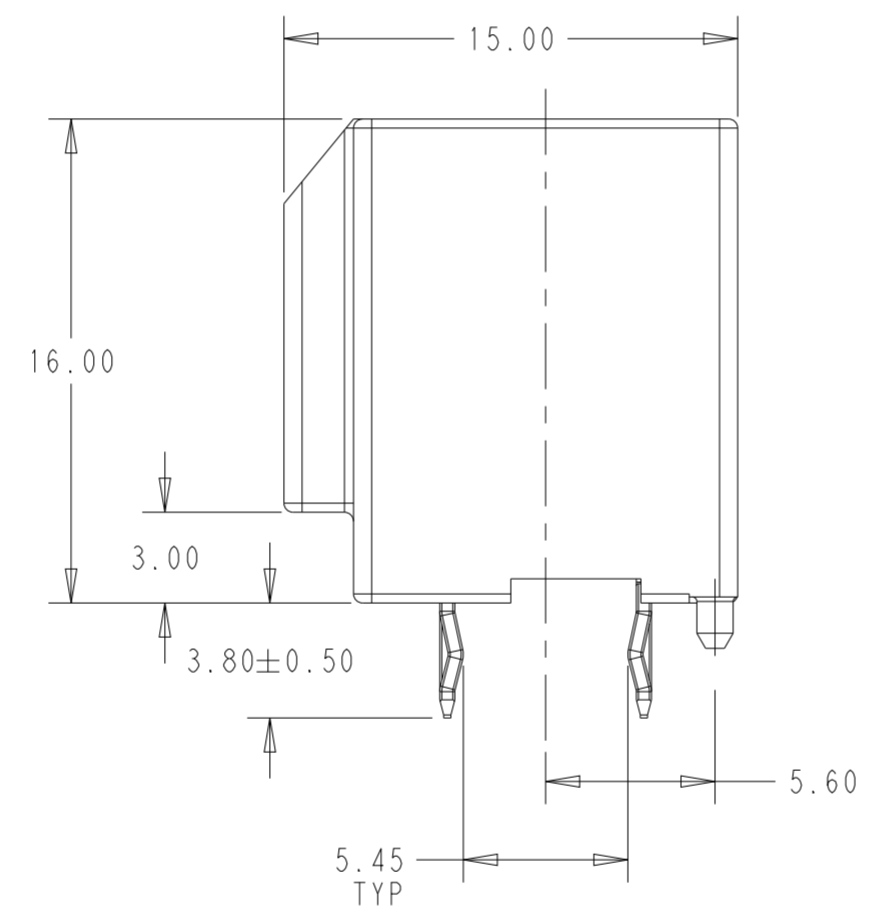
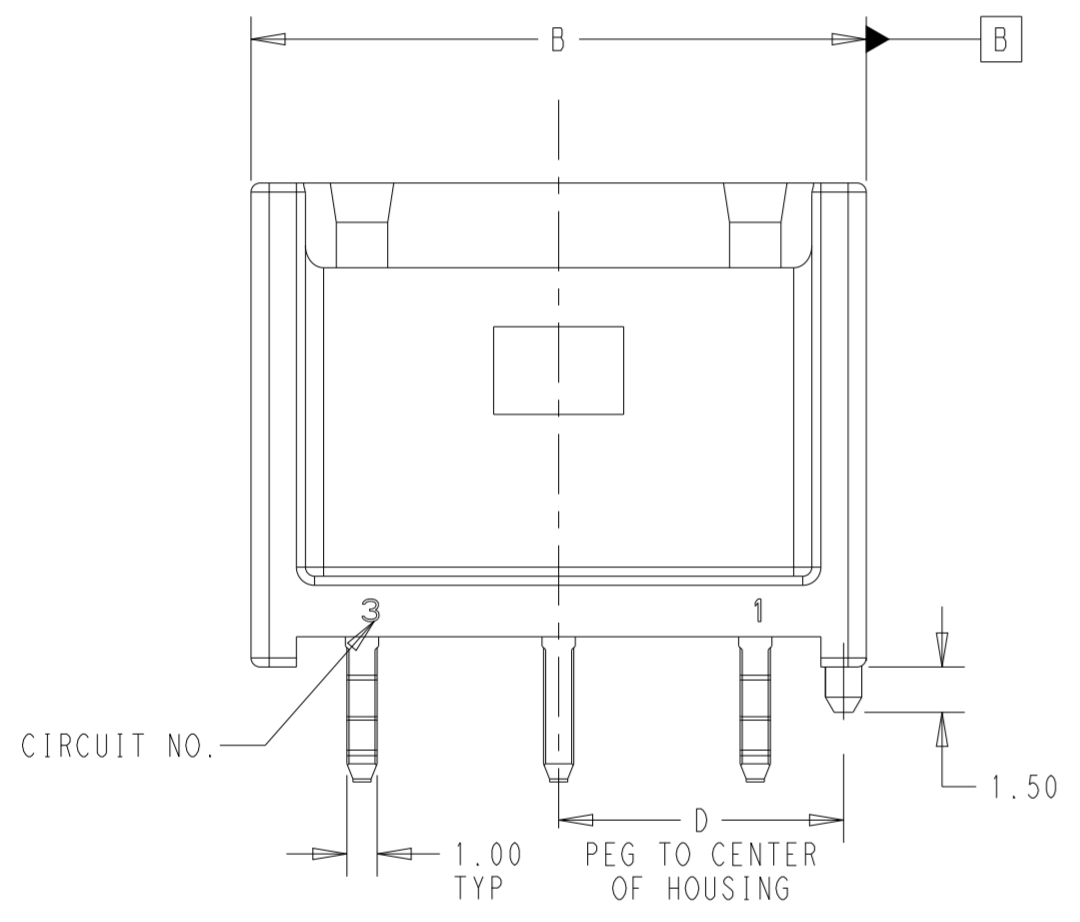


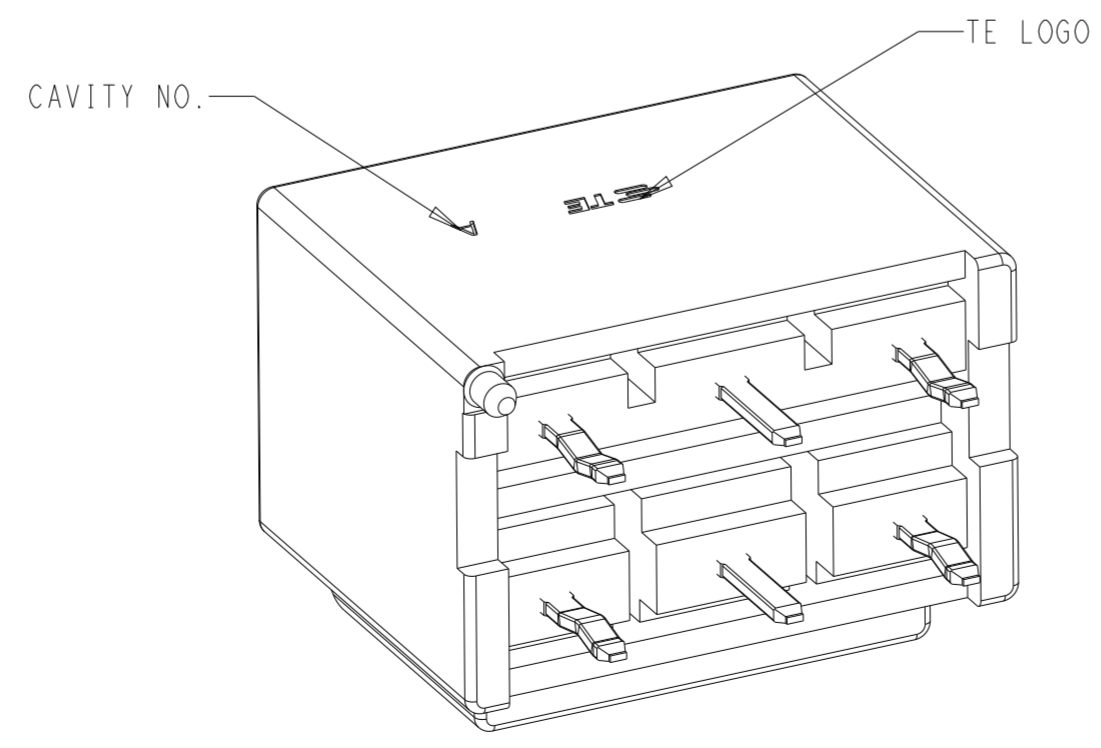
P	LTR	DESCRIPTION	DATE	DWN	APVD
A		REVISED PER ECN-24-269130	12JUN2024	DK	LC



- MATERIALS:  
HOUSING: PBT, GLASS FILLED, UL94-0  
POST PIN: COPPER ALLOY
- FINISHES:  
POST PIN: 1.27µM MIN MATTE TIN OVER 1.27µM MIN NICKEL UNDERPLATE
- RECOMMENDED MATING PART:  
PLUG HOUSING: X-2465651-X



RECOMMENDED PCB BOARD HOLE DIMENSION (MOUNTING SIDE, THICKNESS: 1.60mm)



2-2465614-6 SHOWN

6	13.00	20.34	16.74	9.42	REFER TO SHEET 4
4	6.50	13.84	10.74	6.17	REFER TO SHEET 3
2	-	7.34	7.34	2.92	REFER TO SHEET 2
POSITION	A	B	C	D	PART NO.

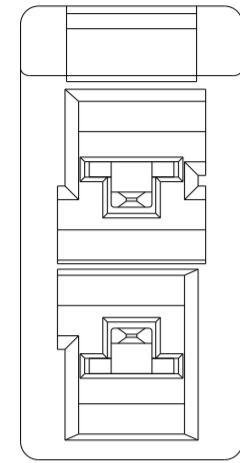
THIS DRAWING IS A CONTROLLED DOCUMENT.

DWN: MADHUVARSHINI M CHK: CHEN OTTO APVD: DANIEL ZHANG	20SEP2023 20SEP2023 20SEP2023	TE Connectivity	
DIMENSIONS: mm TOLERANCES UNLESS OTHERWISE SPECIFIED: 0 PLC ± 1 PLC ± 2 PLC ±0.2 3 PLC ± 4 PLC ± ANGLES ± FINISH		NAME: HEADER ASSEMBLY, QP 6.5 PRODUCT SPEC: 108-160978 APPLICATION SPEC: 114-160619 WEIGHT: - CUSTOMER DRAWING	
MATERIAL: 1		SIZE: A2 CAGE CODE: 00779 DRAWING NO: C-2465614 RESTRICTED TO: - SCALE: 4:1 SHEET 1 OF 4 REV A	

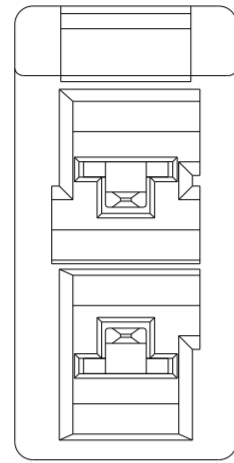
REVISIONS

P	LTR	DESCRIPTION	DATE	DWN	APVD
-	-	SEE SHEET 1	-	-	-

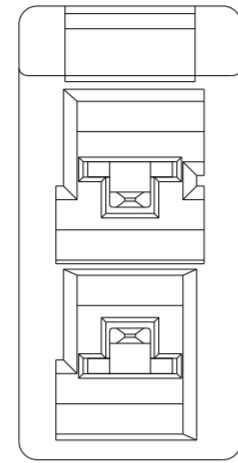
HEADER ASSEMBLY WITH KEYING FEATURES AND COLORS FOR 2P



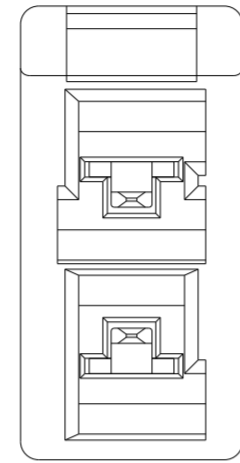
2465614-1  
KEYING 1,ORANGE



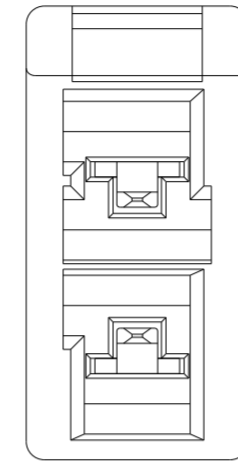
2465614-2  
KEYING 2,BLUE



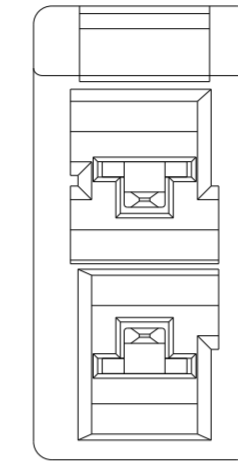
2465614-3  
KEYING 3,GRAY



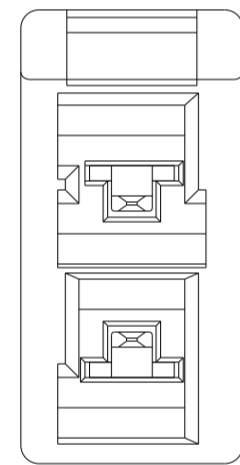
2465614-4  
KEYING 4,YELLOW



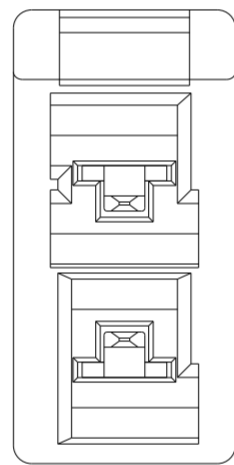
2465614-5  
KEYING 5,PURPLE



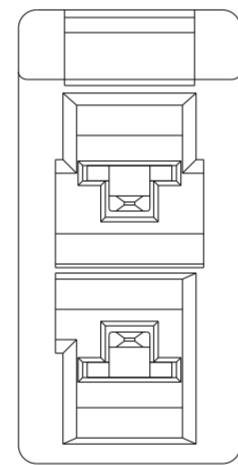
2465614-6  
KEYING 6,PINK



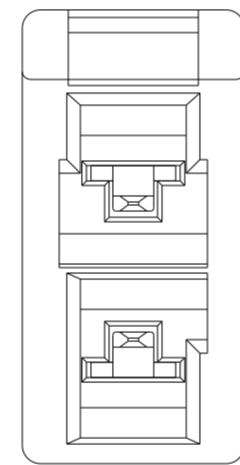
2465614-7  
KEYING 7,BLACK



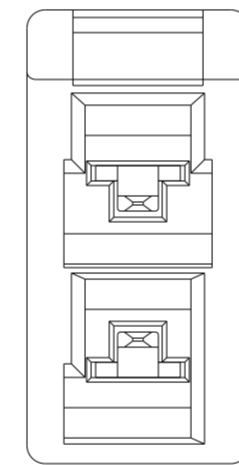
2465614-8  
KEYING 8,GREEN



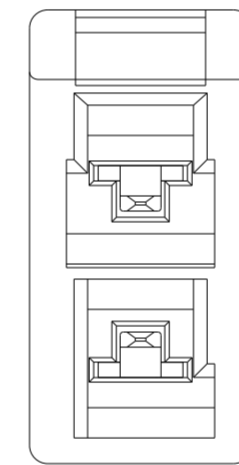
2465614-9  
KEYING 9,BROWN



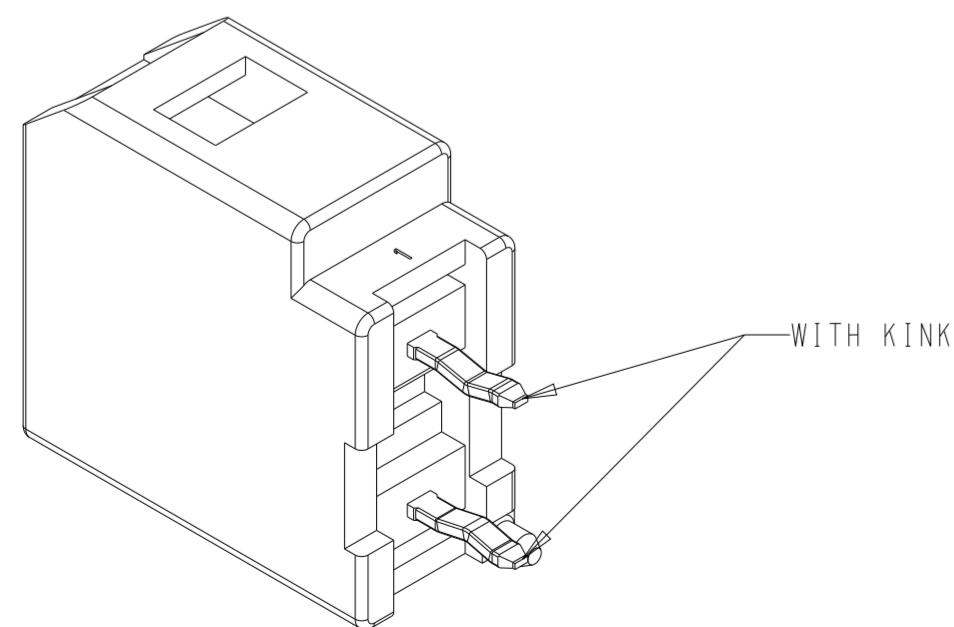
1-2465614-0  
KEYING 10,RED



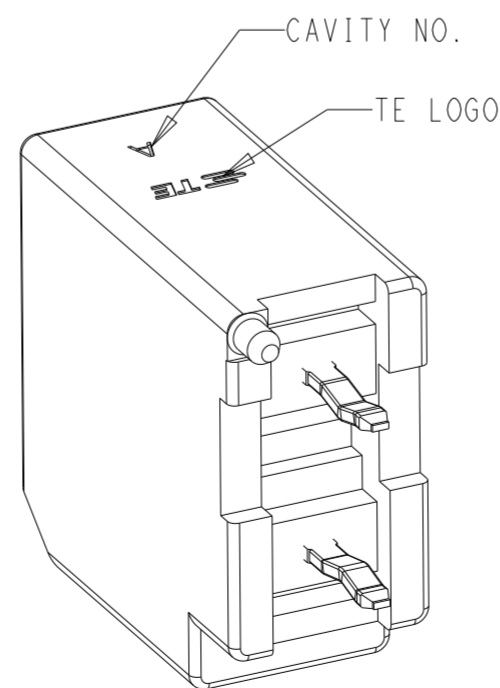
1-2465614-1  
KEYING 11,MINT



1-2465614-2  
KEYING 12,NATURAL



WITH KINK



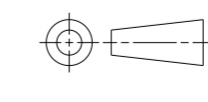
CAVITY NO.

TE LOGO

12	1-2465614-2	NATURAL
11	1-2465614-1	MINT
10	1-2465614-0	RED
9	2465614-9	BROWN
8	2465614-8	GREEN
7	2465614-7	BLACK
6	2465614-6	PINK
5	2465614-5	PURPLE
4	2465614-4	YELLOW
3	2465614-3	GRAY
2	2465614-2	BLUE
1	2465614-1	ORANGE
KEYING	PART NUMBER	COLOR

THIS DRAWING IS A CONTROLLED DOCUMENT.

DIMENSIONS: mm



TOLERANCES UNLESS OTHERWISE SPECIFIED:

- 0 PLC ±
- 1 PLC ±
- 2 PLC ±0.2
- 3 PLC ±
- 4 PLC ±
- ANGLES ±
- FINISH



DWN 20SEP2023  
MADHUVARSHINI M  
CHK 20SEP2023  
CHEN OTTO  
APVD 20SEP2023  
DANIEL ZHANG

PRODUCT SPEC 108-160978  
APPLICATION SPEC 114-160619  
WEIGHT -

CUSTOMER DRAWING



NAME  
HEADER ASSEMBLY,  
QP 6.5

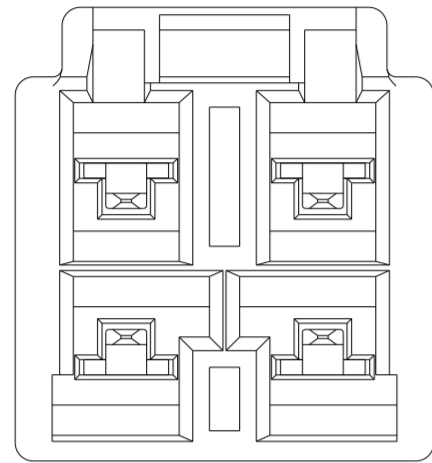
SIZE	CAGE CODE	DRAWING NO	RESTRICTED TO
A2	00779	C-2465614	-

SCALE	SHEET	OF	REV
4:1	2	4	A

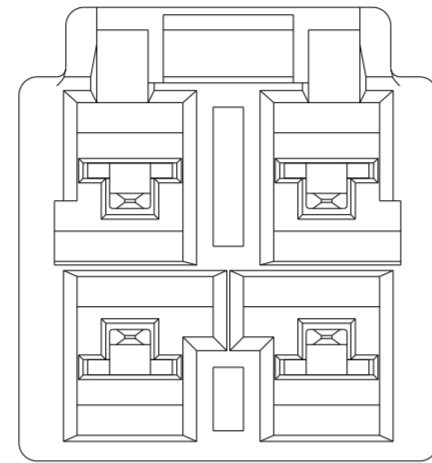
REVISIONS

P	LTR	DESCRIPTION	DATE	DWN	APVD
-	-	SEE SHEET 1	-	-	-

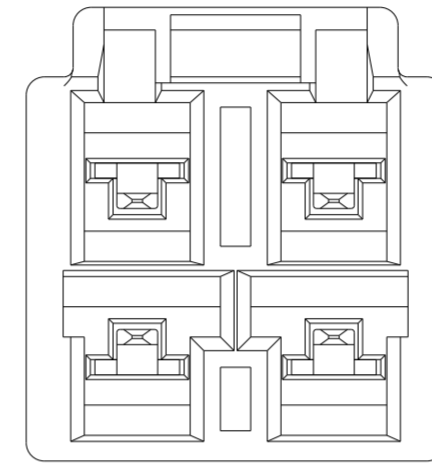
HEADER ASSEMBLY WITH KEYING FEATURES AND COLORS FOR 4P



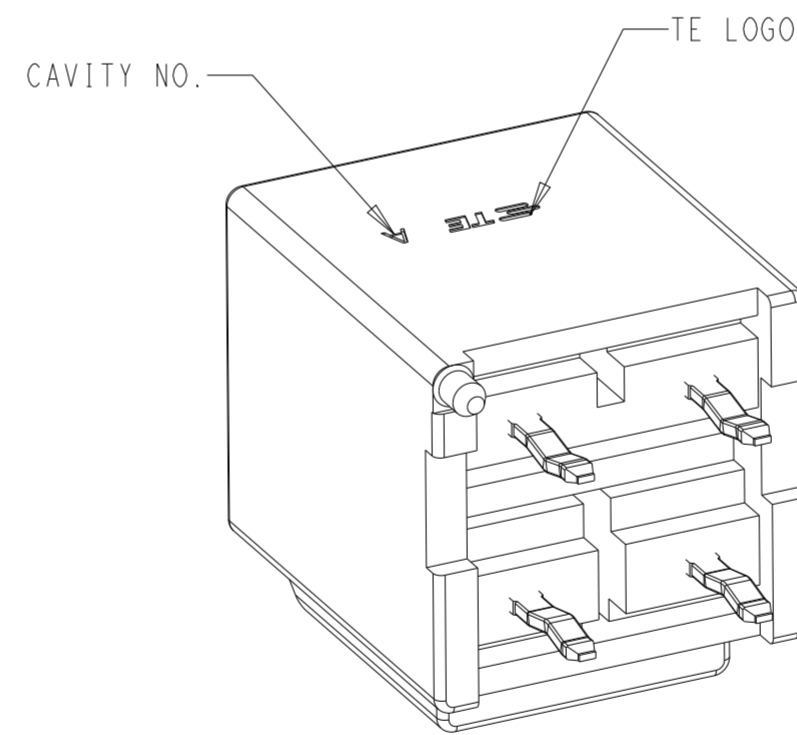
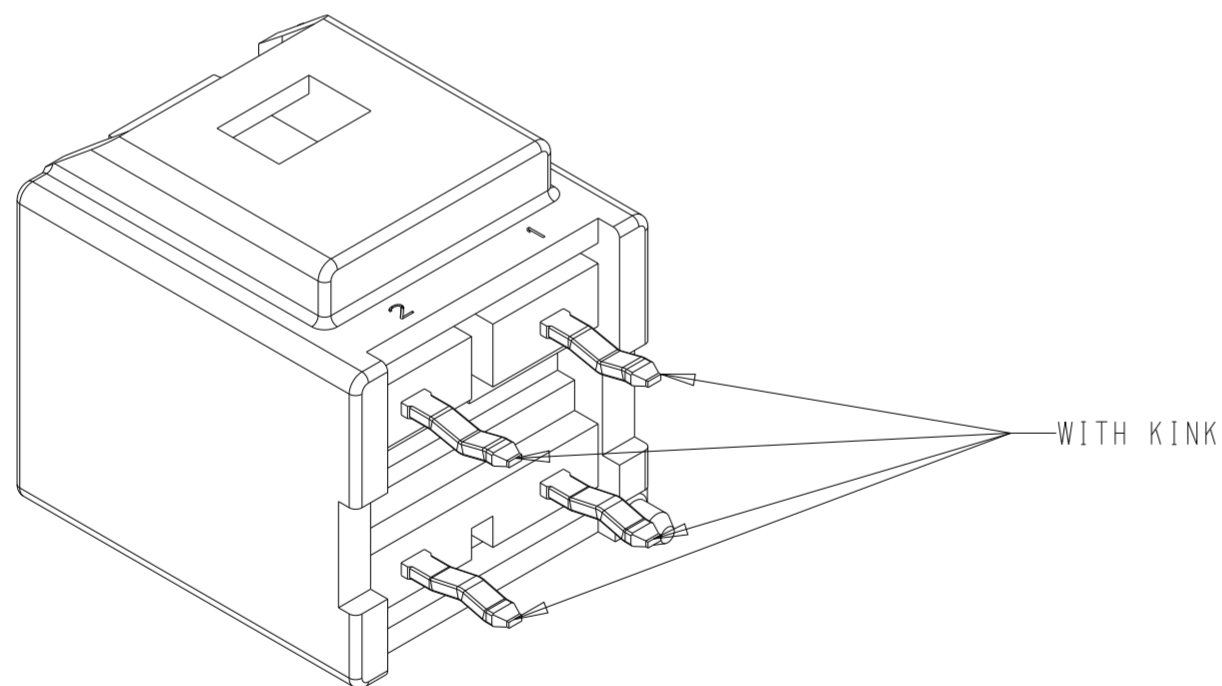
2-2465614-4  
KEYING 1,BLUE



3-2465614-4  
KEYING 2,BLACK



4-2465614-4  
KEYING 3,NATURAL



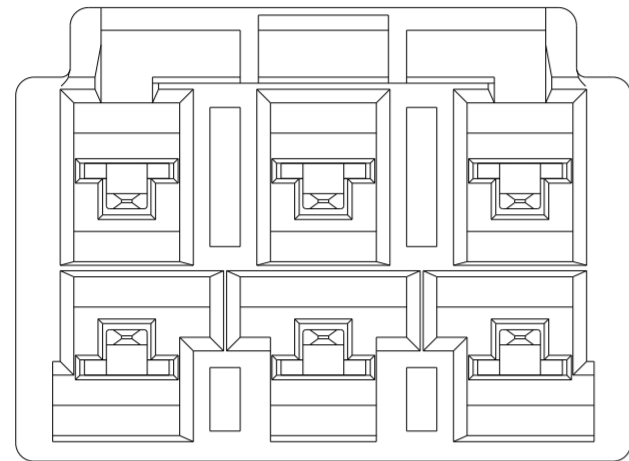
3	4-2465614-4	NATURAL
2	3-2465614-4	BLACK
1	2-2465614-4	BLUE
KEYING	PART NUMBER	COLOR

THIS DRAWING IS A CONTROLLED DOCUMENT.		DWN 20SEP2023 MADHUVARSHINI M	<b>STE</b> TE Connectivity	
		CHK 20SEP2023 CHEN OTTO		
DIMENSIONS: mm		APVD 20SEP2023 DANIEL ZHANG	NAME HEADER ASSEMBLY, QP 6.5	
TOLERANCES UNLESS OTHERWISE SPECIFIED: 0 PLC ± 1 PLC ± 2 PLC ±0.2 3 PLC ± 4 PLC ± ANGLES ± FINISH		PRODUCT SPEC 108-160978	RESTRICTED TO -	
MATERIAL		APPLICATION SPEC 114-160619	SIZE A2	CAGE CODE 00779
1		WEIGHT -	DRAWING NO C-2465614	SCALE 4:1
		CUSTOMER DRAWING	SHEET 3 OF 4	REV A

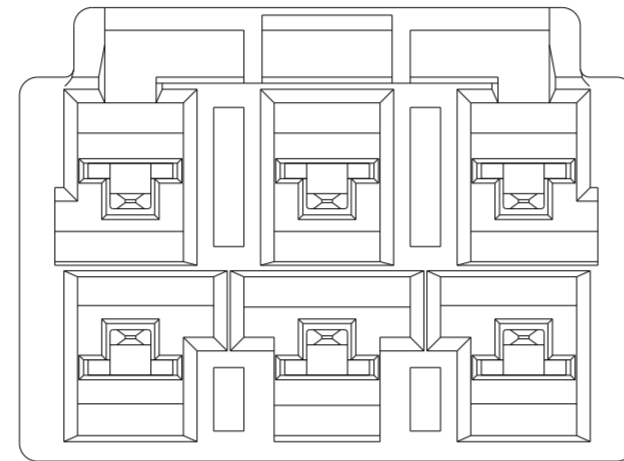
REVISIONS

P	LTR	DESCRIPTION	DATE	DWN	APVD
-	-	SEE SHEET 1	-	-	-

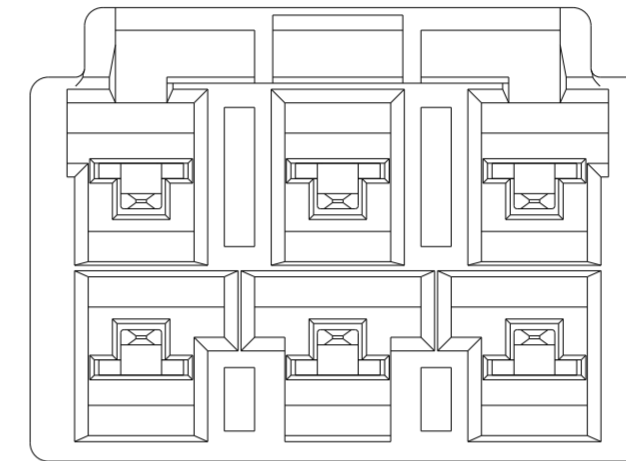
HEADER ASSY WITH KEYING FEATURES AND COLORS FOR 6P



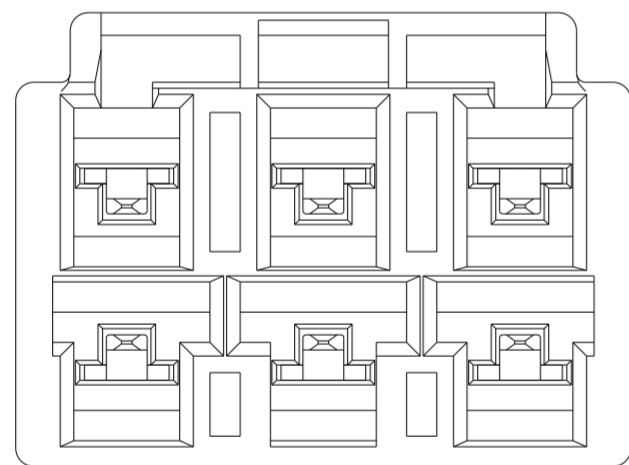
2-2465614-6  
KEYING 1, BLUE



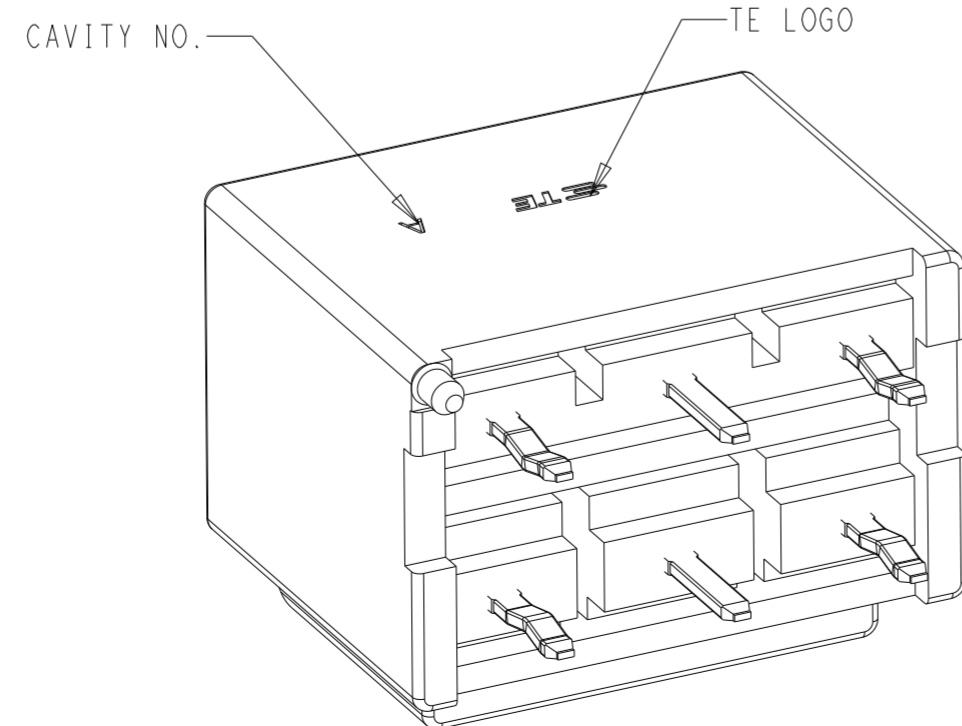
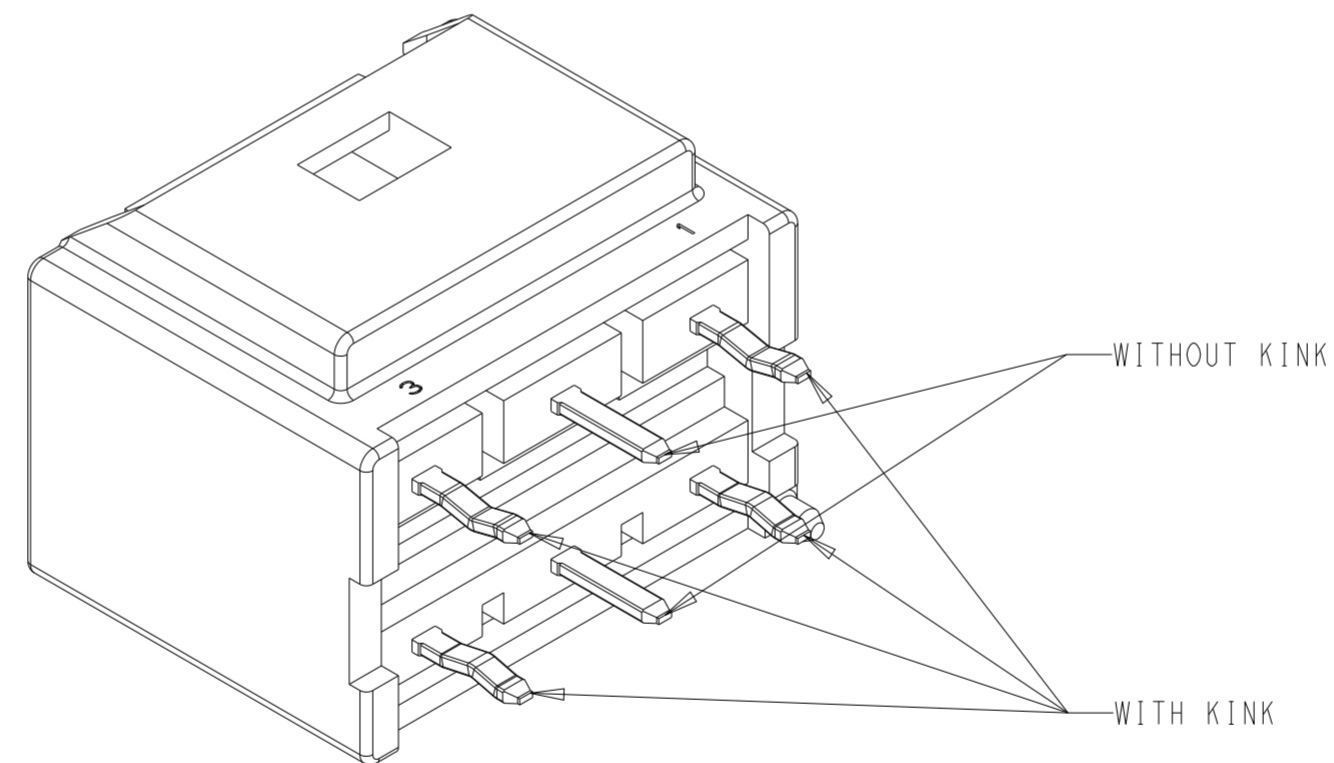
3-2465614-6  
KEYING 2, BLACK



4-2465614-6  
KEYING 3, RED



5-2465614-6  
KEYING 4, NATURAL

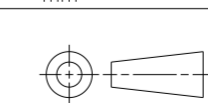


4	5-2465614-6	NATURAL
3	4-2465614-6	RED
2	3-2465614-6	BLACK
1	2-2465614-6	BLUE
KEYING	PART NUMBER	COLOR

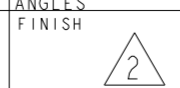
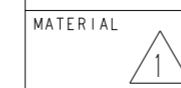
THIS DRAWING IS A CONTROLLED DOCUMENT.

DIMENSIONS:  
mm

TOLERANCES UNLESS OTHERWISE SPECIFIED:



0 PLC	±
1 PLC	±
2 PLC	±0.2
3 PLC	±
4 PLC	±
ANGLES	±
FINISH	±



DWN 20SEP2023  
MADHUVARSHINI M  
CHK 20SEP2023  
CHEN OTTO  
APVD 20SEP2023  
DANIEL ZHANG  
PRODUCT SPEC

108-160978  
APPLICATION SPEC  
114-160619

WEIGHT -

CUSTOMER DRAWING

		NAME	
		HEADER ASSEMBLY, QP 6.5	
SIZE	CAGE CODE	DRAWING NO	RESTRICTED TO
A2	00779	C-2465614	-
SCALE 4:1		SHEET 4 OF 4	REV A