



Part Number : [03096021](#)

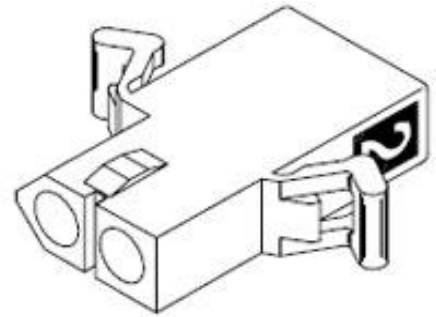
Product Description : 2.36mm Diameter Standard .093" Pin and Socket Receptacle Housing, 2 Circuits, with Pre-bent Mounting Ears, with Ramps, Black

Series Number : 1545

Status : Active

Product Category : Connector Housings

Engineering Part Number : 1545R3BK



Documents and Resources

Drawings

[003096021_sd.pdf](#)

3D Models and Design Files

[STEP AP242](#)

[SOLIDWORKS](#)

[Creo](#)

Specifications


[PK-1545-001-001.pdf](#)

[PS-02-09-001.pdf](#)

[PS-43660-9999-001.pdf](#)

Product Environment Compliance

Compliance

GADSL/IMDS	Not Relevant
China RoHS	 per SJ/T 11365-2006
EU ELV	Not Relevant
Low-Halogen Status	Low-Halogen per IEC 61249-2-21
REACH SVHC	Not Contained per D(2025)7771-DC (04 Feb 2026)
EU RoHS	Compliant per EU 2015/863

Compliance Statements

- EU RoHS
- REACH SVHC
- Low-Halogen

Industry Documents

- IPC 1752A Class C
- IPC 1752A Class D
- Molex Product Compliance Declaration
- IEC-62474
- chemSHERPA (xml)

Substances of Interest

- PFAS

EU RoHS Certificate of Compliance

Additional Product Compliance Information

Part Details

General

Status	Active
Category	Connector Housings
Series	1545
Description	2.36mm Diameter Standard .093" Pin and Socket Receptacle Housing, 2 Circuits, with Pre-bent Mounting Ears, with Ramps, Black
Application	Power, Wire-to-Wire
Comments	Polarized to Mating Part, 17.0A max. can be achieved when housing is used with 42477 or 42478 terminals
Product Name	Standard .093"
UPC	800754232609

Agency

CSA	LR19980
UL	E29179

Physical

Circuits Detail	1x2
-----------------	-----

Circuits (maximum)	2
Color - Resin	Natural
Flammability	94V-2
Gender	Receptacle
Glow-Wire Capable	No
Keying to Mating Part	No
Lock to Mating Part	Yes
Material - Resin	Nylon
Net Weight	1.720/g
Number of Rows	1
Packaging Type	Bag
Panel Mount	Yes
Pitch - Mating Interface	6.30mm
Pitch - Termination Interface	6.30mm
Stackable	No
Temperature Range - Operating	-40° to +105°C

Mates With / Use With

Mates with Part(s)

Description	Part Number
2.36mm Diameter Standard .093" Pin and Socket Plug Housing, 2 Circuits, without Mounting Ears, Natural	<u>03092022</u>
2.36mm Diameter Standard .093" Pin and Socket Plug Housing, 2 Circuits, without Mounting Ears, Black	<u>03097022</u>
2.36mm Diameter Standard .093" Pin and Socket Plug Housing, 2 Circuits, without Mounting Ears, Red	<u>03097024</u>

Use with Part(s)

Description	Part Number
Standard .093" Pin and Socket	<u>1189</u>

Female Crimp Terminals	
Standard .093" Pin and Socket Male Crimp Terminals	<u>1190</u>
Standard .093" Pin and Socket Male Crimp Terminals	<u>1380</u>
Standard .093" Pin and Socket Female Crimp Terminals	<u>1381</u>
Standard .093" Pin and Socket Male Crimp Terminal	<u>1434</u>
Standard .093" Pin and Socket Male Crimp Grounding Terminals	<u>1973</u>
Standard .093" Pin and Socket Female Crimp Terminal	<u>4550</u>

This document was generated on May 08, 2026