



Mallory Sonalert Products, Inc.

Part #: **MSE28MTT3**

Sales Outline Drawing

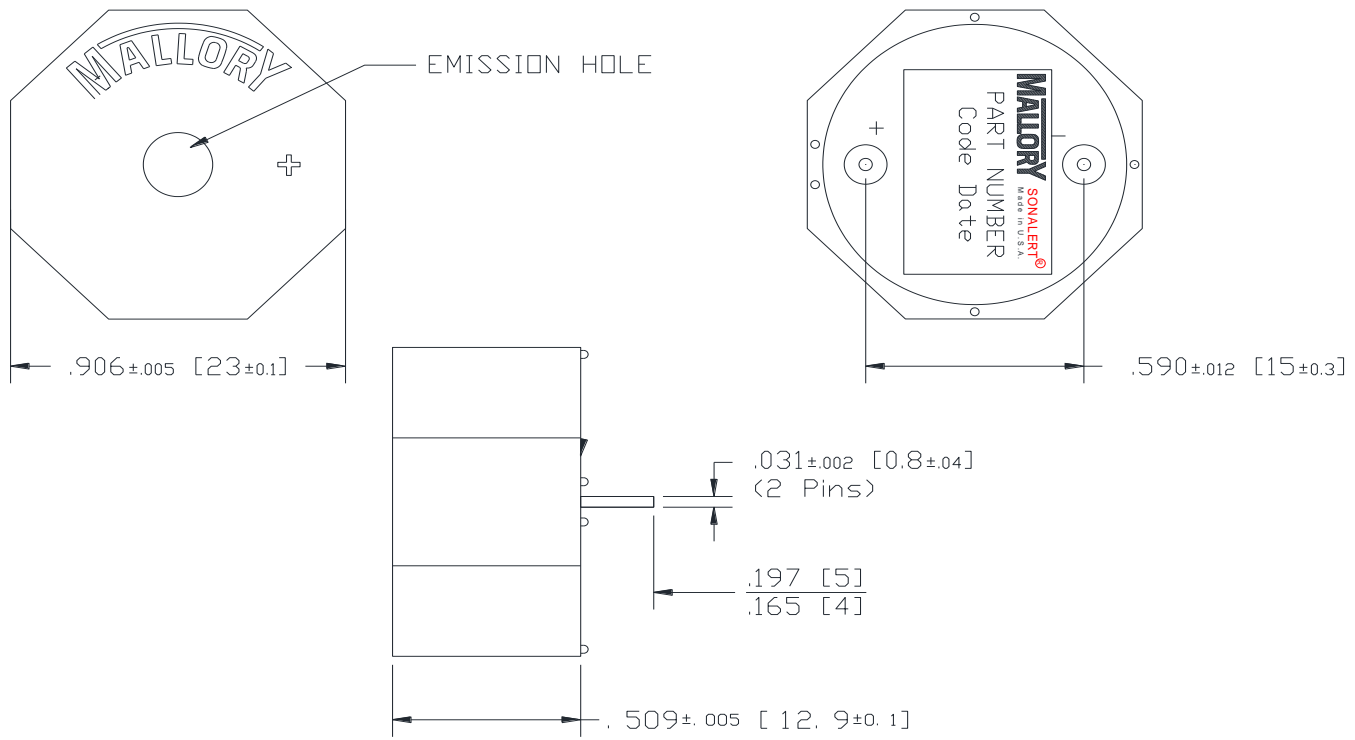
Revision: **D**

Specifications:

Sound Level Category	Medium
Mode of Operation	3-Tone Telephone Ringer
Voltage Rating	20 to 28 VDC
Frequency	3000-3700 Hz Typical
Loudness @ 1 FT	75 to 85 dB(A) Typ.
Current Draw	50mA MAX
Housing Material	Valox (UL94V-0), Color: Black
Storage Temperature	-40° to +80° C
Operating Temperature	-40° to +65° C
Weight (Typical)	4.0g
Options	Please contact factory.

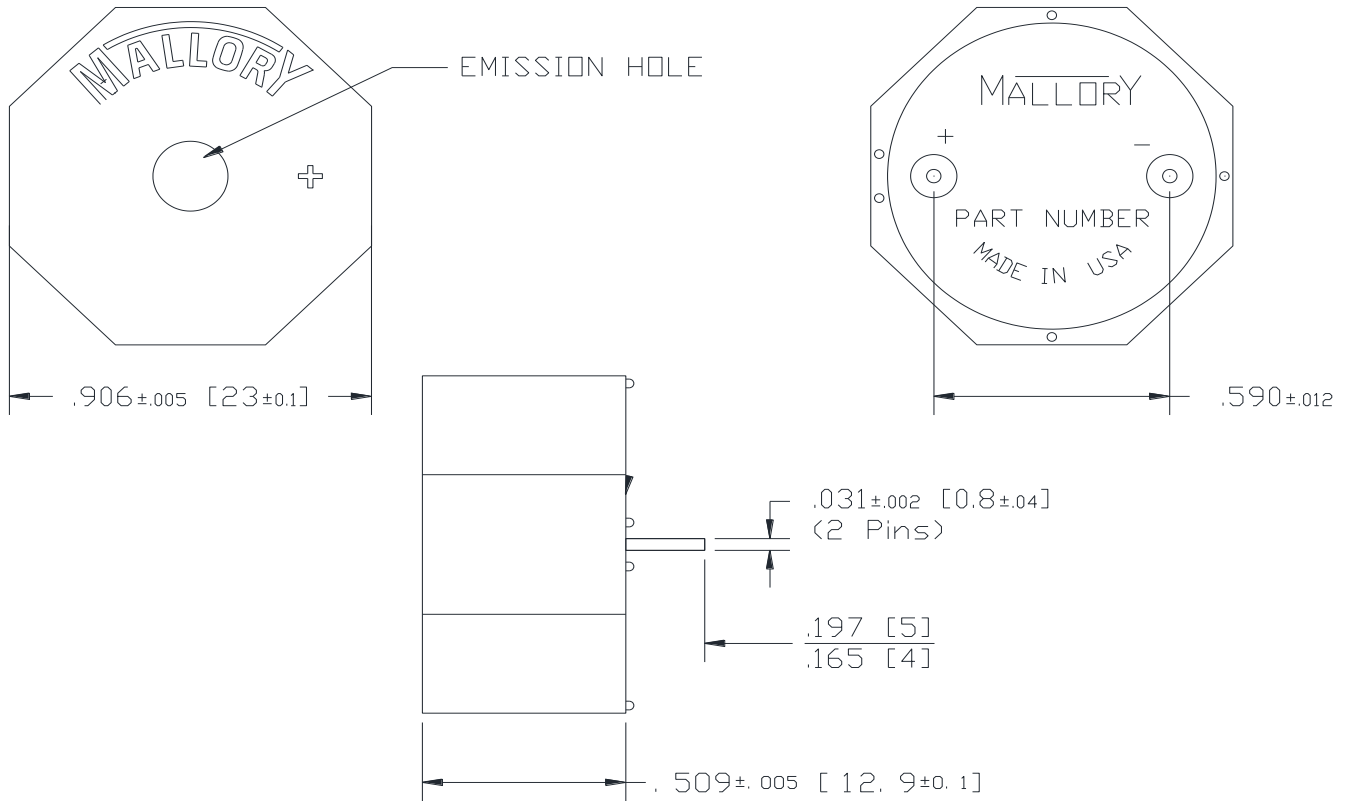
Dimensions: Inches (mm)

ROHS Compliant



NOTE A:
TERMINALS - .031" DIA. NICKEL/TIN COATED BRASS.

NOTE B:
MOUNTING- INSERT INTO PRINTED CIRCUIT BOARD AND HAND OR MACHINE SOLDER.
UNITS ARE SUITABLE FOR WAVE SOLDERING. RECOMMENDED MAXIMUM TEMPERATURE
AND TIME DURATION FOR WAVE SOLDERING IS +270°C AND 3 SECONDS RESPECTIVELY.



NOTE A:
TERMINALS - .031" DIA. NICKEL/TIN COATED BRASS.

NOTE B:
MOUNTING- INSERT INTO PRINTED CIRCUIT BOARD AND HAND OR MACHINE SOLDE
UNITS ARE SUITABLE FOR WAVE SOLDERING. RECOMMENDED MAXIMUM TEMPERAT
AND TIME DURATION FOR WAVE SOLDERING IS +270°C AND 3 SECONDS RESPECT

[15±0.3]

R.
URE
IVELY.