

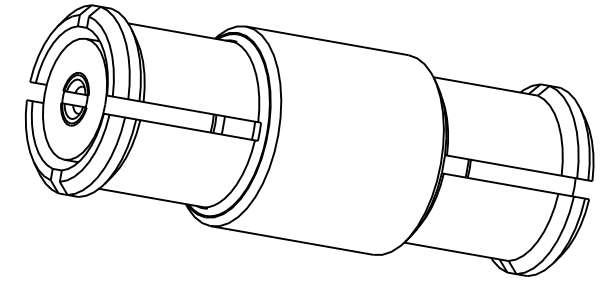
NOTES:

1. MATERIALS AND FINISHES:
 BODY - BeCu, GOLD PLATING (.000004 THICK) OVER
 HIGH PHOS ELECTROLESS NICKEL (.000100 THICK)
 CONTACT - BeCu, GOLD PLATING (.000004 THICK) OVER
 HIGH PHOS ELECTROLESS NICKEL (.000100 THICK)
 INSULATOR - PTFE
2. ELECTRICAL:
 A. IMPEDANCE: 50 OHM
 B. FREQUENCY RANGE: DC - 26.5 GHz
 C. VSWR(RETURN LOSS): 1.07 (30 dB), MAX. DC-4 GHz
 1.29 (18 dB), MAX. DC-12 GHz
 1.50 (14 dB), MAX. DC-18 GHz
 D. DIELECTRIC WITHSTANDING VOLTAGE: 500 VRMS, MIN.
3. MECHANICAL:
 A. DURABILITY: 100 CYCLES MIN. FULL DETENT
 500 CYCLES MIN. LIMITED DETENT
 1000 CYCLES MIN. SMOOTH BORE
 B. TEMPERATURE RANGE: -65° C TO 165° C
4. PACKAGING:
 A. QUANTITY: SINGLE PACK
 B. MARKING: BAG TO BE MARKED
 "AMPHENOL, SMP-FSBA-093, AND DATE CODE"

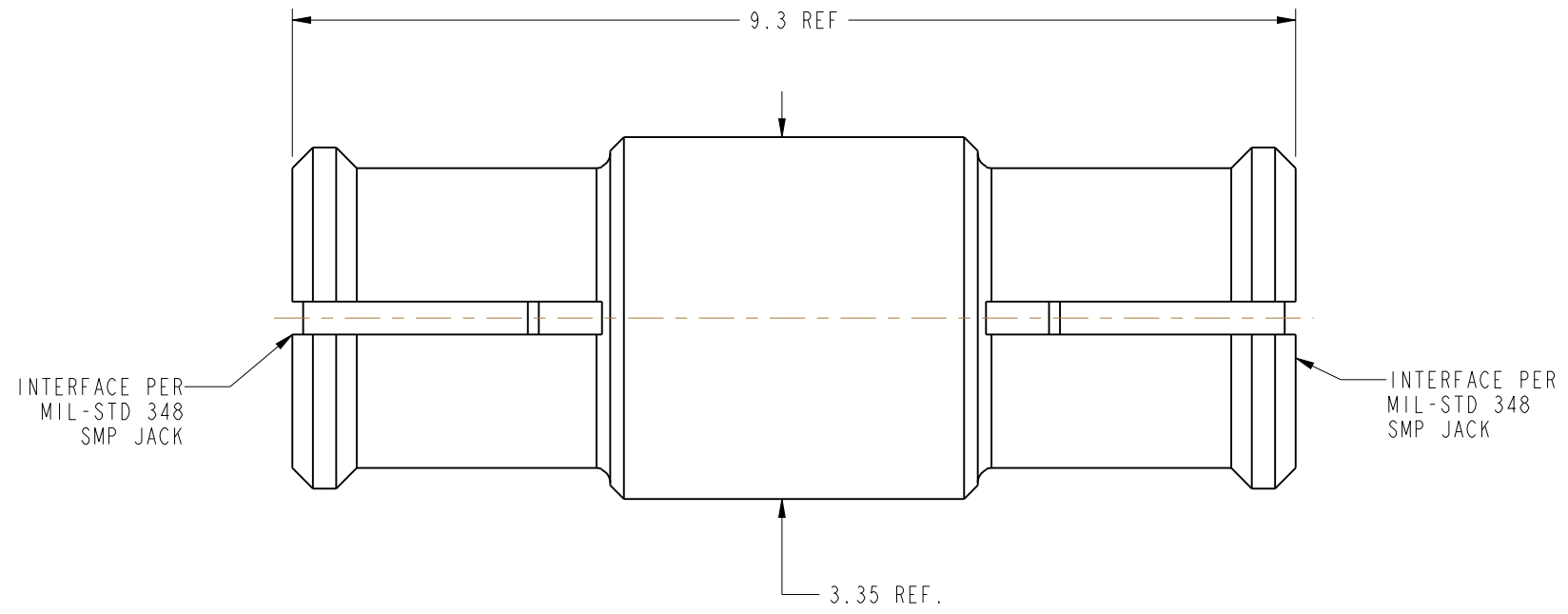
THIRD ANGLE PROJ.

REVISIONS

REV	DESCRIPTION	DATE	ECO	APPR
A	RELEASE TO MFG.	2/3/12	48943	MJN



SCALE 8.000



CUSTOMER OUTLINE DRAWING
 ALL OTHER SHEETS ARE FOR INTERNAL USE ONLY

UNLESS OTHERWISE SPECIFIED, DIMENSIONS ARE IN METRIC AND TOLERANCES ARE: <0.5mm ±0.05mm 0.5 - 6mm ±0.1mm 6 - 30mm ±0.2mm 30 - 120mm ±0.3mm ANGLES ±1°	MATERIAL SEE NOTES	DRAWN M. NAPLES	DATE 17-Aug-11	TITLE SMP BULLET 9.3 MM LONG	Amphenol RF www.amphenolrf.com
	REFERENCE 5008 AND	ENGINEER M. NAPLES	DATE 17-Aug-11		
	CONFIGURATION LEVEL:	APPROVED K. CAPOZZI	DATE 1/27/12	SCALE: 15.0:1.0 SHEET 1 OF 2	ITEM NO. SMP-FSBA-093
	FINISH	CAD FILE	DWG SIZE B	REV A	PART NO. SMP-FSBA-093