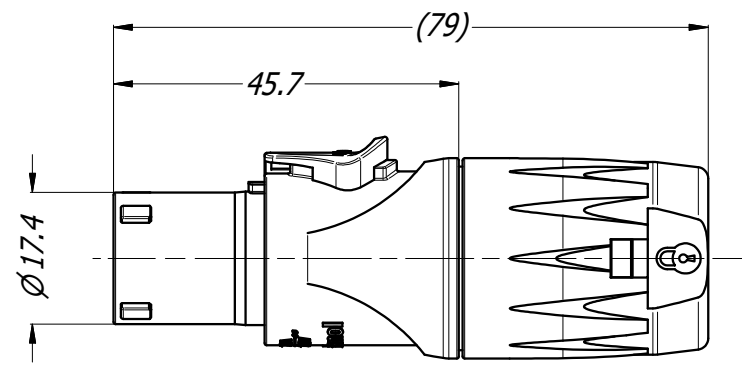
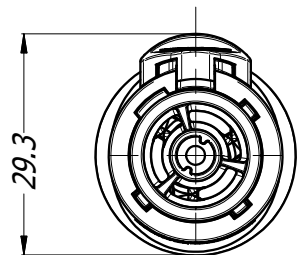
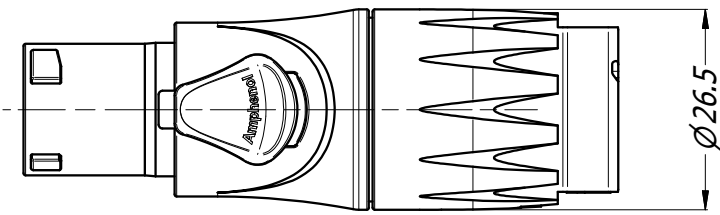


**3D VIEW**  
3:4



**PATENTS AND APPLICATONS :**

- US 10186804
- US D840341
- US 10823914B2
- EP 3514892B1
- JP 6705027B2
- DE 102018101431A1
- HK 40009428A
- CN 110071397A
- EP 3641070A1

**NOTES:**

1. CABLE OD RANGE:  
- BIG GROMMET: 9.0 -12.0 MM OD  
- SMALL GROMMET: 6.0- 9.0 MM OD
2. BACKSHELL TORQUE: 3.1 Nm

UNLESS OTHERWISE SPECIFIED TOLERANCE TO BE		THIS DOCUMENT IS THE PROPERTY OF AMPHENOL AUSTRALIA PTY. LTD. NO PART THEREOF MAY BE REPRODUCED AND USED WITHOUT THE PRIOR WRITTEN CONSENT OF THE OWNER.				<b>Amphenol</b> Amphenol Australia Pty.Ltd, 22 Industry Blvd, Carrum Downs VIC 3201	
LINEAR	ANGULAR	MATERIAL:	DRN: T.N	DATE: 26/07/19	TITLE:	PART No:	REV
X ± 0.5	X' ± 1	DO NOT SCALE	CKD: P.M	DATE: 26/07/19	<b>CABLE CONNECTOR FEMALE HPT SERIES</b>	<b>HPT-3-F</b>	<b>4</b>
X.X ± 0.1	X.X' ± 30'		APP'D: P.M	DATE: 26/07/19			
X.X ± 0.05	X.X'X" ± 15'		FINISH:	SCALE: <b>1:1</b>	SIZE: <b>A4</b>	<b>55011198-000-2</b>	<b>2/2</b>
BREAK ALL SHARP EDGES AND REMOVE ALL BURRS		THIRD ANGLE PROJECTION					
DIMENSIONS IN MILLIMETRES							