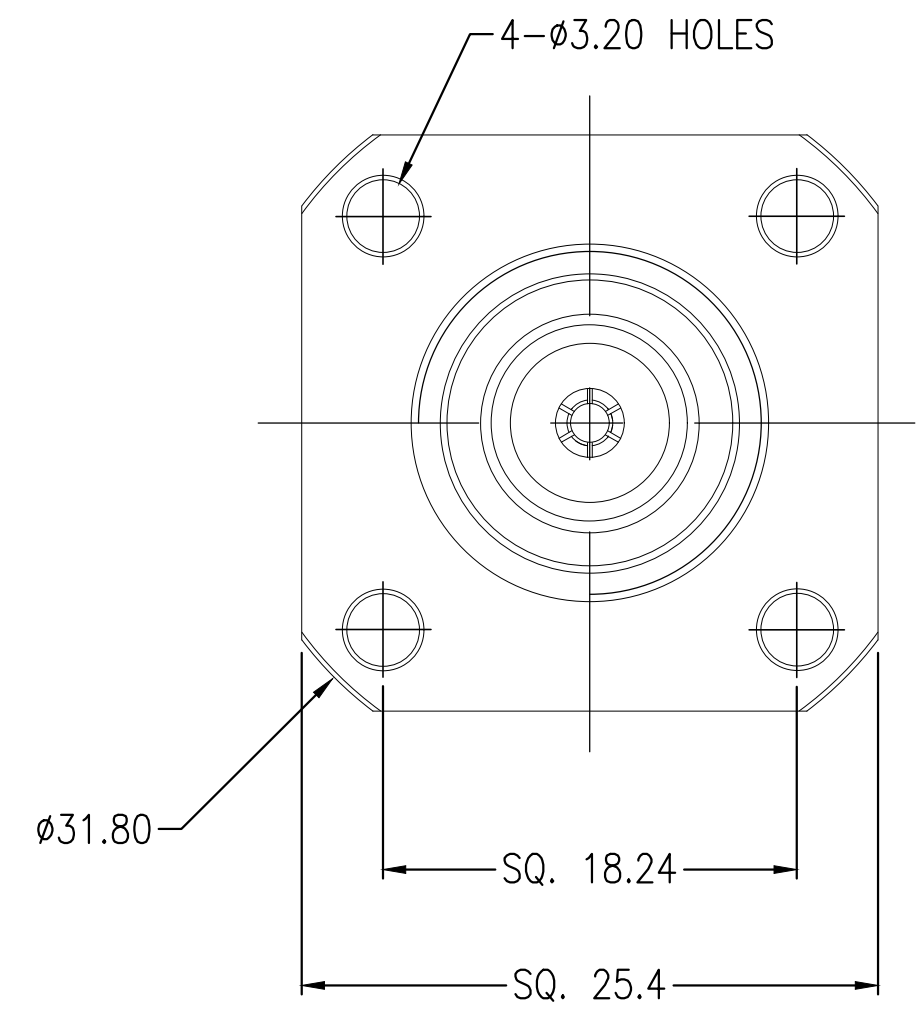
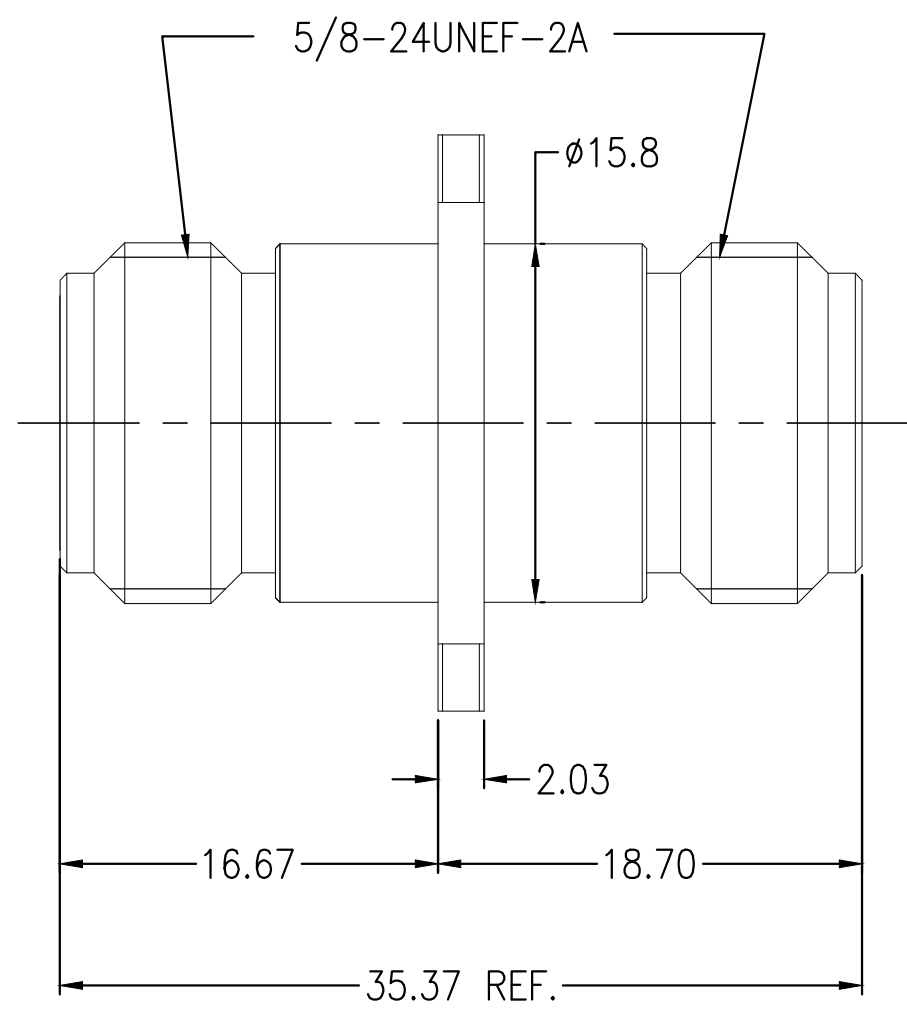


THIS DRAWING IS UNPUBLISHED. RELEASED FOR PUBLICATION AUGUST, 2006.
 © COPYRIGHT 2006 By - ALL RIGHTS RESERVED.

REVISIONS					
P	LTR	DESCRIPTION	DATE	DWN	APVD
	A1	ECR-18-012908	15AUG2018	RZ	RS

- NOTES:**
- 1 PACK IN ACCORDANCE WITH TE SPEC 107-3275
 - 2 Au PLATING: 50u"
 - 3 Passivation
 - 4 ALL DIMENSIONS ARE NOMINAL FOR REFERENCE ONLY UNLESS OTHERWISE STATED



ELECTRICAL	MECHANICAL	ENVIRONMENTAL
Frequency Range (GHz) DC to 18GHz	Recommended Coupling Torque N/A	Temperature Rating -40°C TO +85°C
Voltage Rating (Peak) @ Sea Level 500 V RMS	Mating cycles 500 cycles	
Insulation Resistance (MIN.) 5000 M ohms	Center contact retention force 6 lbs MIN	
Contact Resistance (Milliohms MAX) Center Contact 1.0 Outer Contact 0.4	VSWR: 1.2 Max @ DC-- 18 GHz	
Dielectric Withstand Voltage: 1000 V RMS Max	RF leakage: N/A	
Insertion Loss : 0.1*√F(GHz) dB	3rd Intermodulation: N/A	

THIS DRAWING IS A CONTROLLED DOCUMENT.		DWN ED 13JUN 2018
DIMENSIONS: mm		CHK BW 13JUN 2018
TOLERANCES UNLESS OTHERWISE SPECIFIED:		APVD RS 13JUN 2018
0 PLC ± -		PRODUCT SPEC
1 PLC ± 0.2		APPLICATION SPEC
2 PLC ± 0.1		WEIGHT 0.000000
3 PLC ± -		CUSTOMER DRAWING
4 PLC ± -		
ANGLES ± -		
FINISH -		
MATERIAL SEE TABLE		

QUANTITY PER ASSY	DESCRIPTION	ITEM
2	PVC (BLACK) DUST CAP	4
1	PEI INSULATION	3
1	BECU CENTER CONTACT	2
1	STEEL BODY	1
-1	MATERIAL	

STE TE Connectivity			
NAME ADAPTER N Female to N Female 4 Hole Flange-Mounting Hole A05			
SIZE	CAGE CODE	DRAWING NO	RESTRICTED TO
A3	00779	C-2081563	-
SCALE 3:1		SHEET 1 OF 1	REV A1