

2-520405-2 ✓ ACTIVE

Ultra-Fast | Ultra-Fast 250

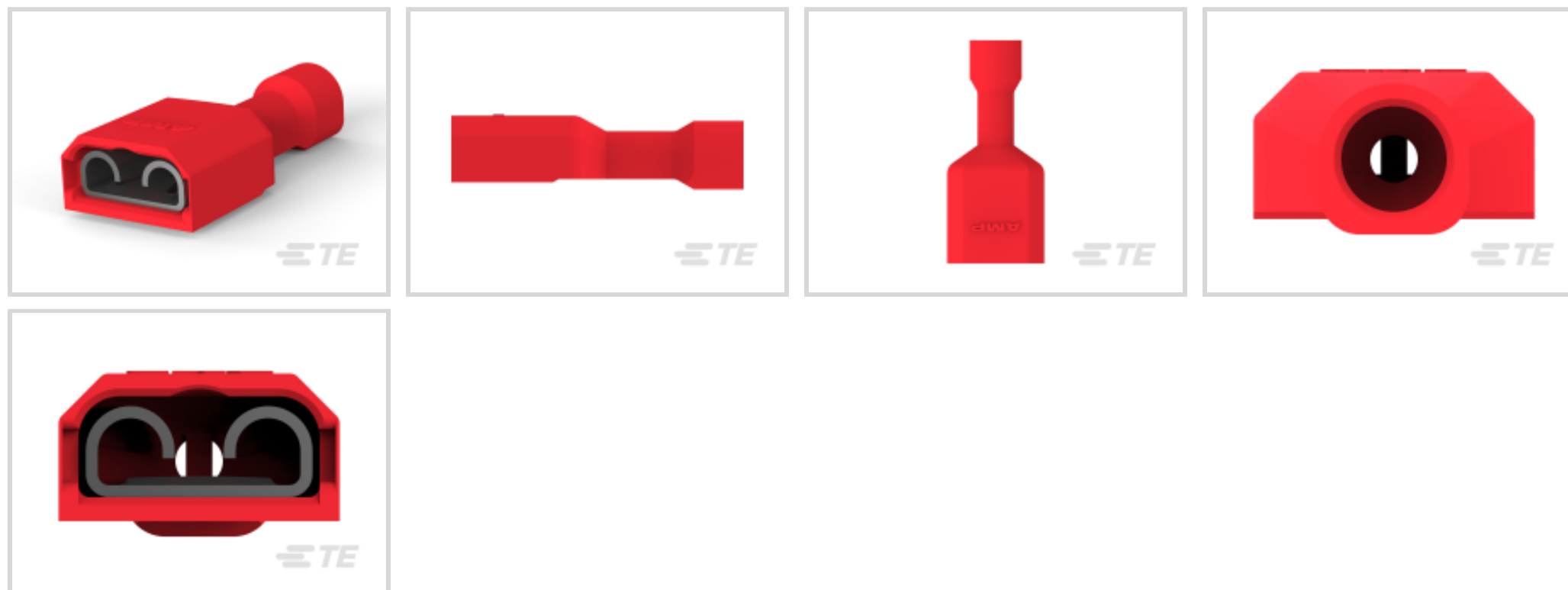
TE Internal #: 2-520405-2

Quick Disconnect Receptacle, Fully Insulated, 22 – 18 AWG, .32 – .82 mm² Wire, 6.35 mm [.25 in] Tab Width, F-Crimp, Straight, Brass, Ultra-Fast 250

[View on TE.com >](#)



Terminals & Splices > Quick Disconnects



Quick Disconnect Terminal Type: **Receptacle**

Wire Size: .32 – .82 mm²

Mating Tab Width: 6.35 mm [.25 in]

Mating Tab Thickness: .81 mm [.032 in]

Features

Product Type Features

Terminal Features	Wire Stop
Insertion Force	Normal

Configuration Features

Compatible With Wire & Cable Type	Discrete Wire
Connection Capacity	Single

Electrical Characteristics

Voltage Rating	600 V
----------------	-------

Body Features

Insulation Material	Nylon
---------------------	-------

Contact Features

Quick Disconnect Terminal Type	Receptacle
Mating Tab Width	6.35 mm [.25 in]
Mating Tab Thickness	.81 mm [.032 in]
Terminal Orientation	Straight



Contact Base Material	Brass
Terminal Plating Material	Tin
Crimp Type	F-Crimp
Barrel Type	Closed

Termination Features

Product Terminates To	Wire & Cable
-----------------------	--------------

Mechanical Attachment

Wire Insulation Support	With
Mating Retention Type	Dimple

Dimensions

Product Length	21.75 mm[.855 in]
Compatible Insulation Diameter Range	1.52 – 3.43 mm[.06 – .135 in]
Terminal Material Thickness	.41 mm[.016 in]
Wire Size	.32 – .82 mm ²

Usage Conditions

Insulation Option	Fully Insulated
Operating Temperature Range	-40 – 110 °C[-40 – 230 °F]

Industry Standards

Compatible With Agency/Standards Products	UL
UL Flammability Rating	UL 94V-2

Packaging Features

Packaging Quantity	2200
Packaging Method	Strip/Reel

Other

Barrel Color	Red
--------------	-----

Product Compliance

For compliance documentation, visit the product page on [TE.com](https://www.te.com)>

EU RoHS Directive 2011/65/EU	Compliant
EU ELV Directive 2000/53/EC	Compliant
China RoHS 2 Directive MIIT Order No 32, 2016	有害物质含量符合标准要求 No Restricted Substance(s) Above Threshold



EU REACH Regulation (EC) No. 1907/2006

Current ECHA Candidate List: JUNE 2025 (250)

Candidate List Declared Against: JUNE 2025 (250)

Does not contain REACH SVHC

Halogen Content

Low Halogen - Br, Cl, F < 900 ppm per homogenous material. Also BFR/CFR/PVC Free

Solder Process Capability

Not applicable for solder process capability

Product Compliance Disclaimer

This information is provided based on reasonable inquiry of our suppliers and represents our current actual knowledge based on the information they provided. This information is subject to change. The part numbers that TE has identified as EU RoHS compliant have a maximum concentration of 0.1% by weight in homogenous materials for lead, hexavalent chromium, mercury, PBB, PBDE, DBP, BBP, DEHP, DIBP, and 0.01% for cadmium, or qualify for an exemption to these limits as defined in the Annexes of Directive 2011/65/EU (RoHS2). Finished electrical and electronic equipment products will be CE marked as required by Directive 2011/65/EU. Components may not be CE marked. Additionally, the part numbers that TE has identified as EU ELV compliant have a maximum concentration of 0.1% by weight in homogenous materials for lead, hexavalent chromium, and mercury, and 0.01% for cadmium, or qualify for an exemption to these limits as defined in the Annexes of Directive 2000/53/EC (ELV). Regarding the REACH Regulation, the information TE provides on SVHC in articles for this part number is based on the latest European Chemicals Agency (ECHA) 'Guidance on requirements for substances in articles' posted at this URL: <https://echa.europa.eu/guidance-documents/guidance-on-reach>

Compatible Parts



TE Part # 2266077-2
OCEAN_2.0_APPLICATOR-S-176F218F-SSA




TE Part # 58079-3
DIES U-FAST + FASTON 22-18 DIE SET



TE Part # 7-2266077-7
OCEAN_2.0_SPARE_PART_KIT-176F218F


Also in the Series | Ultra-Fast 250



Automotive Housings(3)



Automotive Signal & Power Connector Housings(3)

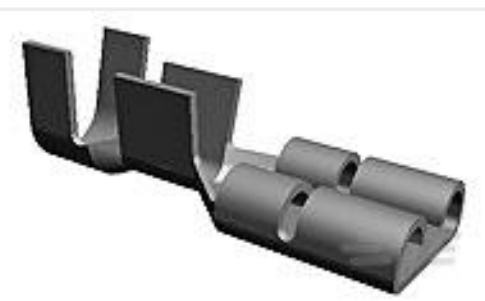


Quick Disconnects(49)

Customers Also Bought



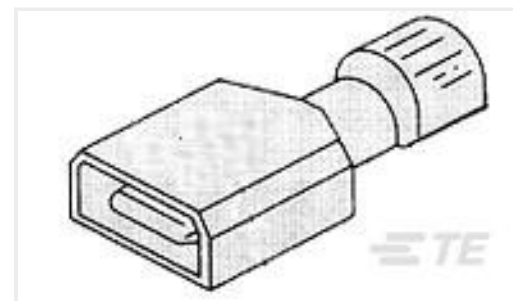
TE Part #42801-1
187 FASTON REC 20-16 AWG BR



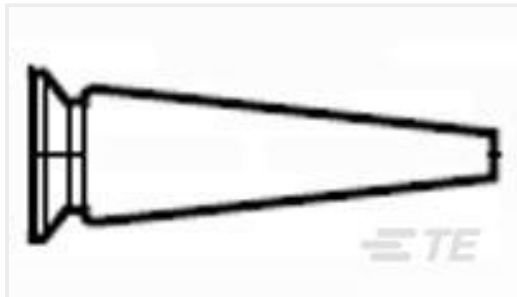
TE Part #63475-1
187 FASTON REC 20-16 AWG BR



TE Part #2-520401-2
ULTRA-FAST 187 ASY REC 22-18 TPBR



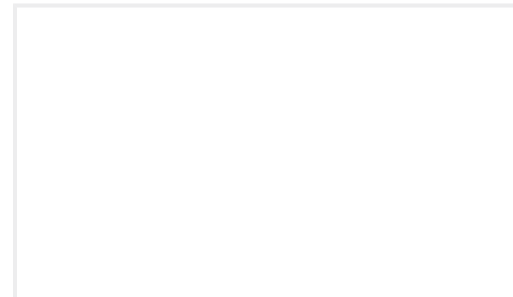
TE Part #2-521055-2
ULTRAFast 250 ASSY TAB 22-18
AWG TPBR



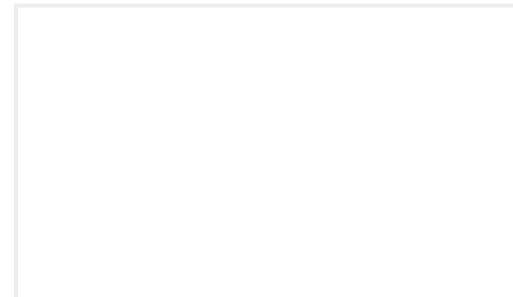
TE Part #640254-1
KEYING PLUG .045 SQ PST CONN



TE Part #925612-1
STC REC 6.3 Contact SRC Sn



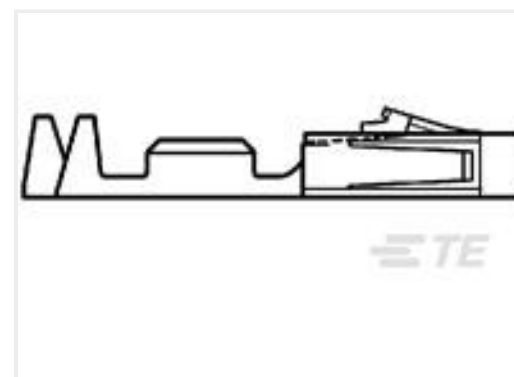
TE Part #2238122-1
AMVAR SPLC 1500-5000 016TPBR



TE Part #GA10K4D28
PRO2-PROBE



TE Part #2492671-1
08P SL156 HSG,W/LCK RMP&TABS
#2&4 CKT BL



TE Part #104479-5
SHORT POINT RECP CONT LP

Documents

Product Drawings

[ULTRA-FAST 250 ASY REC 22-18 TPBR](#)

English

CAD Files

[3D PDF](#)

3D

Customer View Model

[ENG_CVM_CVM_2-520405-2_K.2d_dxf.zip](#)

English

Customer View Model

[ENG_CVM_CVM_2-520405-2_K.3d_igs.zip](#)

English

Customer View Model

[ENG_CVM_CVM_2-520405-2_K.3d_stp.zip](#)

English

By downloading the CAD file I accept and agree to the [Terms and Conditions](#) of use.

Datasheets & Catalog Pages



[Ultra-Fast and Ultra Fast Plus](#)

English

[Ultra-Fast_QRG](#)

English

[Product Specifications](#)

[Application Specification](#)

English

[Application Specification](#)

English

[Agency Approvals](#)

[Agency Approval Document](#)

English

[Agency Approval Document](#)

English