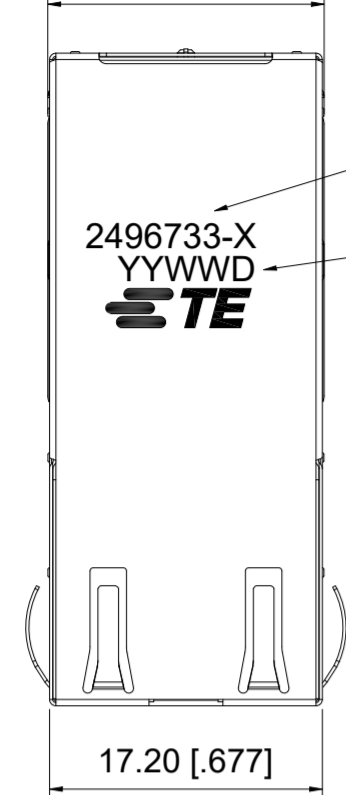


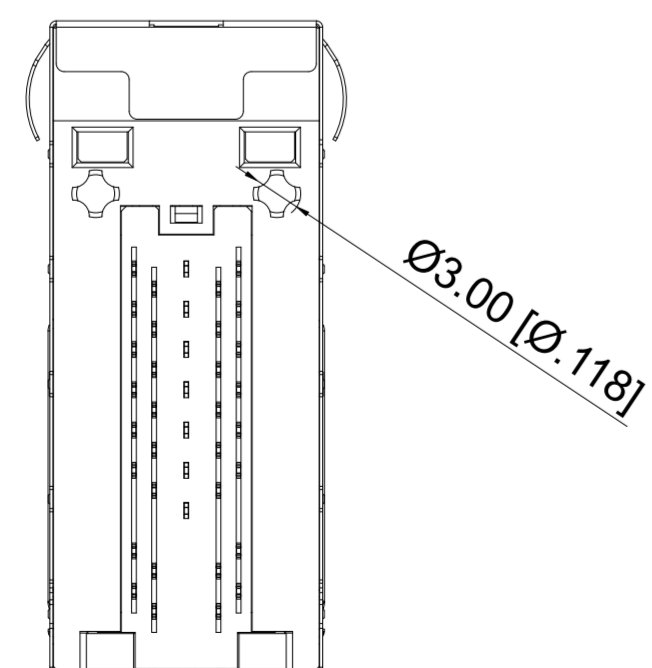
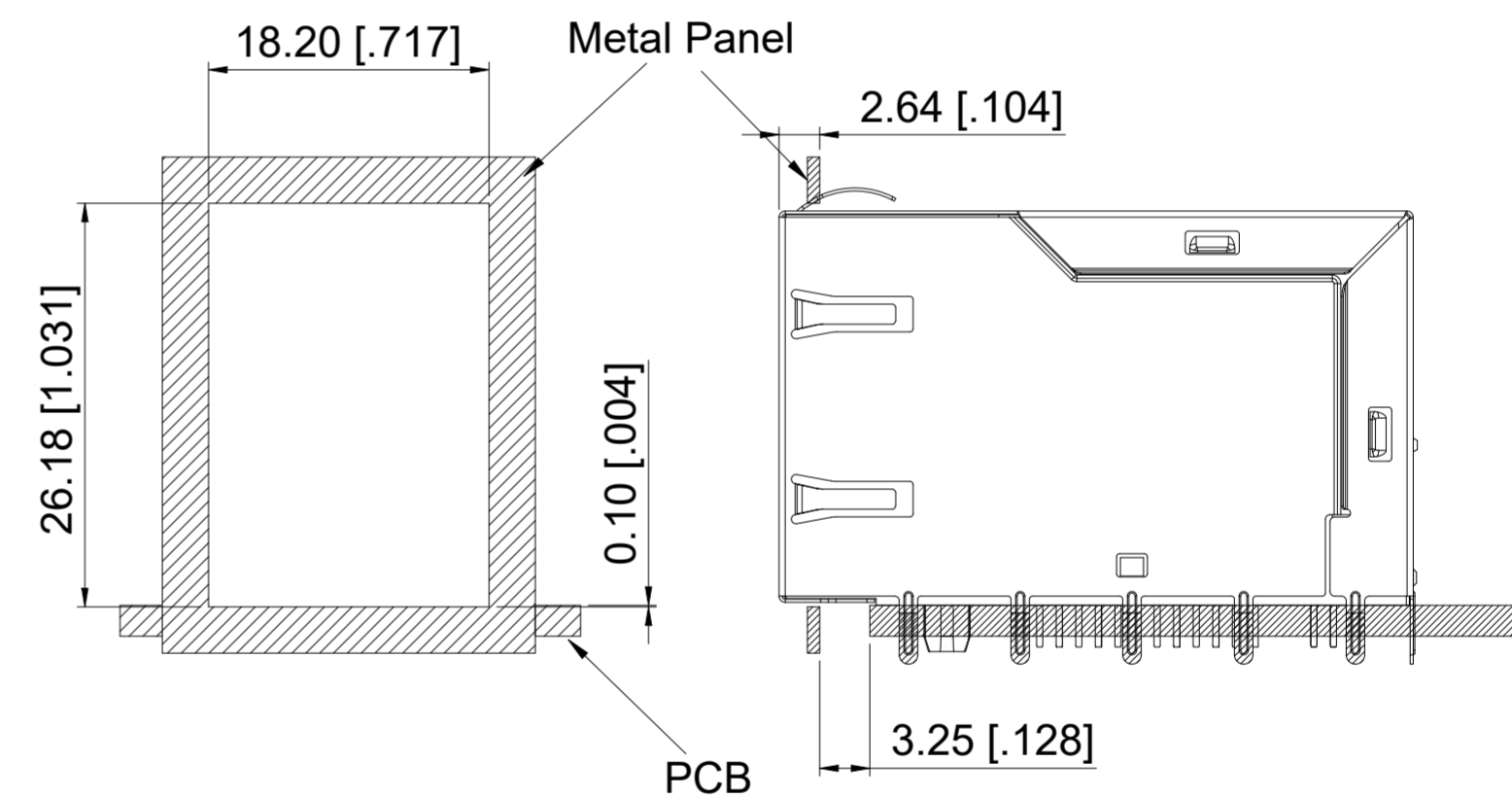
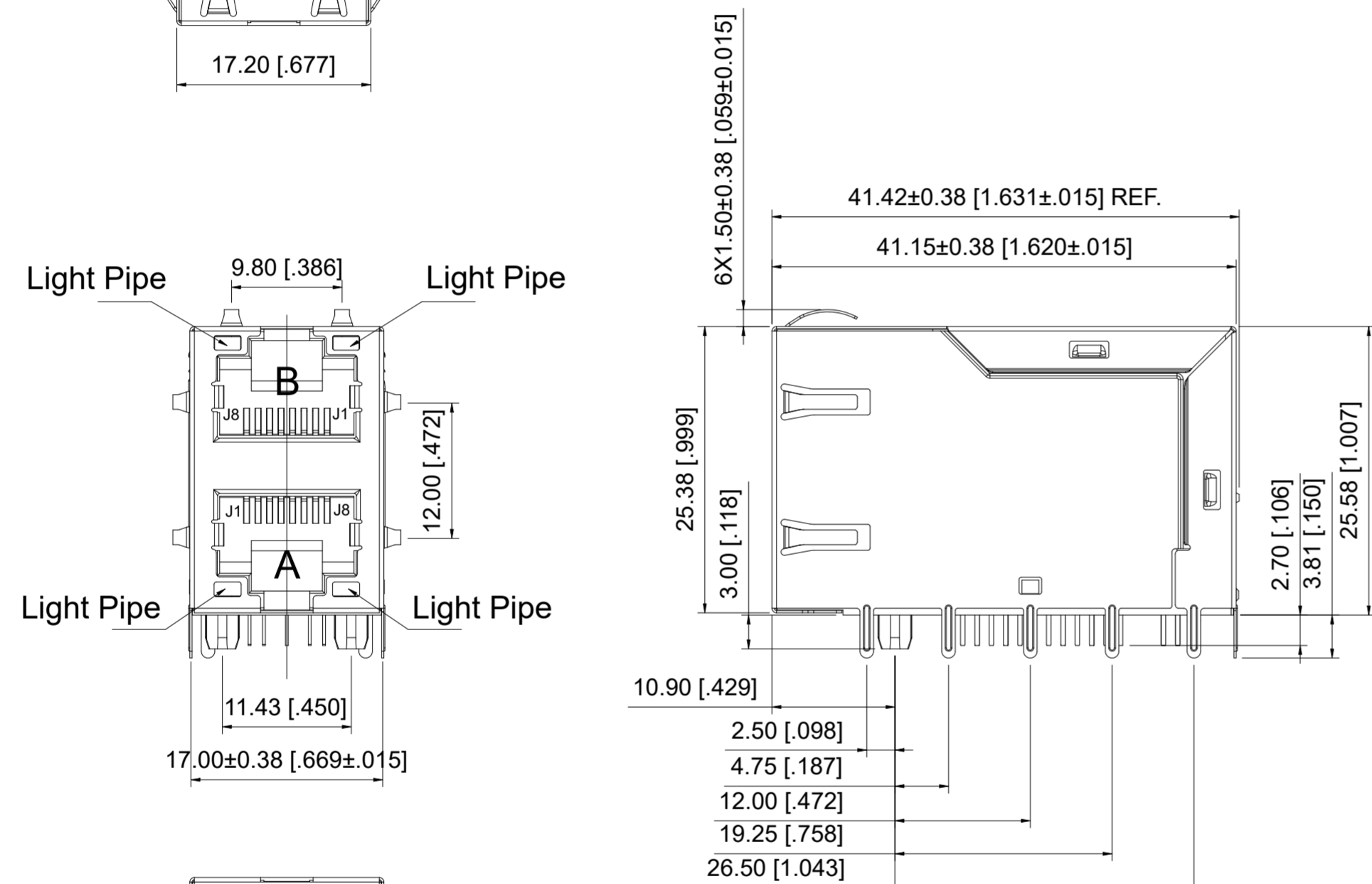
REVISIONS					
P	LTR	DESCRIPTION	DATE	DWN	APVD
A		REVISED PER ECN-25-301496	10JAN2025	TR	RCG

17.43±0.38 [.686±.015] REF.



NOTE :

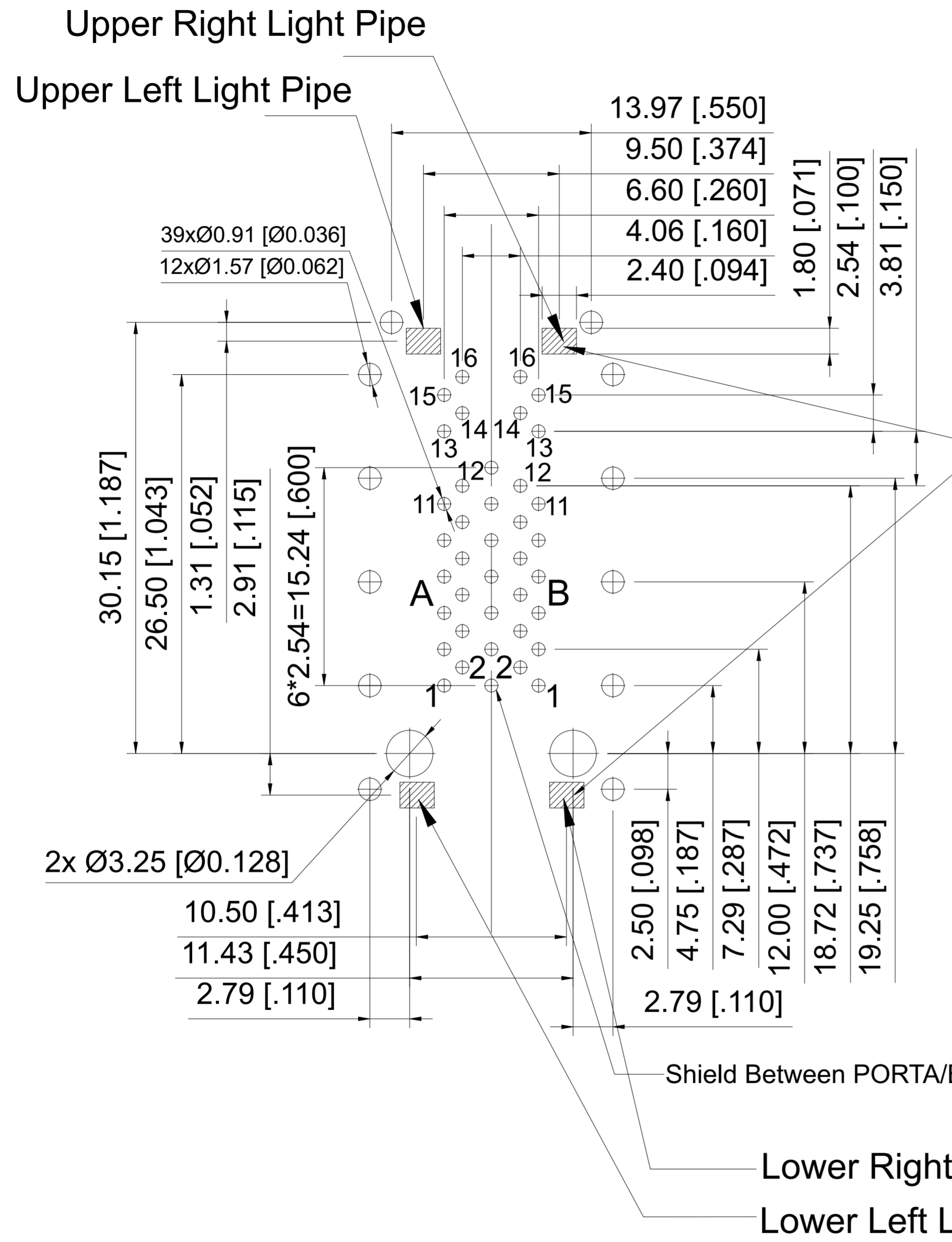
- 1.HOUSING:GLASS FILLED PA6T(BLACK) UL94V-0(RoHS)
- 2.CONTACT: PHOSPHOR BRONZE,50 MICRINCHES MIN. OVERALL DUCTILE NICKEL UNDERPLATE WITH (REFER PART NUMBER TABLE) GOLD AT MATING INTERFACE
- 3.SHIELD:0.2mm THICKNESS WITH BRASS.
- 4.JACK CAVITY CONFORMS TO FCC RULES AND REGULATIONS PART 68 SUBPART F
- 5.THE PART IS RECOMMENDED FOR WAVE SOLDERING PROCESS PEAK SOLDERING TEMPERATURE IS 260°C MAX,10 SECS MAX.
- 6.OPERATING TEMPERATURE:-40°C TO +85°C.  
STORAGE TEMPERATURE:-40°C TO +85°C.



GF	2496733-6
0.0762 µm [3µ"]	2496733-5
0.1524 µm [6µ"]	2496733-4
0.381 µm [15µ"]	2496733-3
0.762 µm [30µ"]	2496733-2
1.27 µm [50µ"]	2496733-1
<b>GOLD PLATING THICKNESS</b>	<b>PART NUMBER</b>

THIS DRAWING IS A CONTROLLED DOCUMENT.		DWN TARUN, R 29OCT2024		
DIMENSIONS: mm [INCHES]		CHK RAMESH, KIVADER 30OCT2024		
TOLERANCES UNLESS OTHERWISE SPECIFIED:		APVD RAGHAVAN, CG 30OCT2024	NAME RJ45 W/MAGNET 2X1 5G POE 60W LIGHT PIPE	
0 PLC ± -		PRODUCT SPEC 108-161622	SIZE A2	
1 PLC ± 0.35		APPLICATION SPEC 114-161219	CAGE CODE 00779	DRAWING NO C=2496733
2 PLC ± 0.25		WEIGHT 0	RESTRICTED TO -	
3 PLC ± 0.15		CUSTOMER DRAWING	SCALE 1:1	SHEET 1 of 3
4 PLC ± -			REV A	
ANGLES ± 2°				
FINISH				

P	LTR	DESCRIPTION	DATE	DWN	APVD
-	-	SEE SHEET 1	-	-	-



SMT LED Position Area,  
The LED height is less than 1.60mm

Shield Between PORTA/B

Lower Right Light Pipe

Lower Left Light Pipe

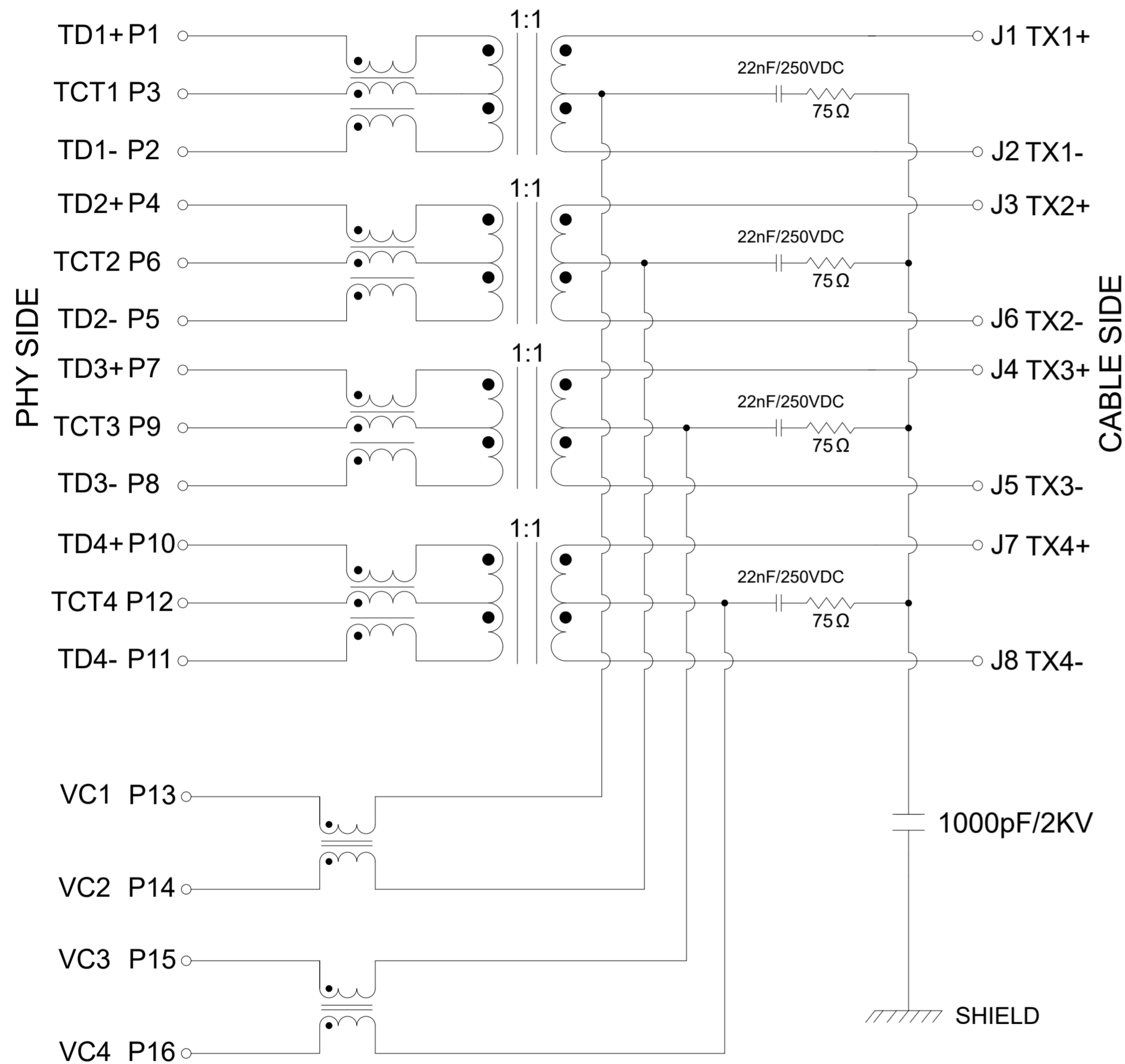
RECOMMENDED P.C.B LAYOUT  
TOP VIEW (COMPONENT SIDE)

Dimension Tolerances:  
PCB LAYOUT  
Tolerances: ±0.05[0.002]

THIS DRAWING IS A CONTROLLED DOCUMENT.		DWN TARUN, R 29OCT2024		
DIMENSIONS: mm [INCHES]		CHK RAMESH, KIVADER 30OCT2024		
TOLERANCES UNLESS OTHERWISE SPECIFIED:		APVD RAGHAVAN, CG 30OCT2024	NAME RJ45 W/MAGNET 2X1 5G POE 60W LIGHT PIPE	
0 PLC ± - 1 PLC ± 0.35 2 PLC ± 0.25 3 PLC ± 0.15 4 PLC ± - ANGLES ± 2°		PRODUCT SPEC 108-161622	RESTRICTED TO	
MATERIAL		APPLICATION SPEC 114-161219	SIZE A2	CAGE CODE 00779
FINISH		WEIGHT 0	DRAWING NO C=2496733	SCALE 1:1
		CUSTOMER DRAWING	SHEET 2 OF 3	REV A

P	LTR	DESCRIPTION	DATE	DWN	APVD
-	-	SEE SHEET 1	-	-	-

# Schematic



PARAMETER	SPECIFICATIONS
OPERATING TEMPERATURE	-40°C To +85°C
TURNS RATIO	1:1±2%
OPEN CIRCUIT INDUCTANCE(OCL)	120uH MIN@100KHz/100mV With 15mA DC Bias For(CHANNEL1,2,3,4)
INSERTION LOSS(IL)	-0.5dB MAX@1MHz-50MHz; -1.0dB MAX@50MHz-125MHz; -2.0dB MAX@125MHz-200MHz; -2.5dB MAX@200MHz-250MHz;
RETURN LOSS(RL) (Z out=100 OHM)	-20dB MIN@1MHz-50MHz; -20+15LOG(f/40MHz)dB MIN@50MHz-250MHz;
CROSSTALK (ADJACENT CHANNELS)	-25dB MIN@1MHz-125MHz; -20dB MIN@125MHz-250MHz;
COMMON MODE REJECTION RATIO(CMRR)	-20dB MIN@1MHz-250MHz;
COMMON TO DIFFERENTIAL MODE REJECTION(REF)	-20dB MIN@1MHz-250MHz;
DC CURRENT/VOLTAGE RATING-PSE PINS	720mA MAXIMUM@57VDC(CONTINUOUS)
HI-POT	2250 VDC@60 SECONDS

THIS DRAWING IS A CONTROLLED DOCUMENT.		DWN TARUN, R 29OCT2024		
DIMENSIONS: mm [INCHES]		CHK RAMESH, KIVADER 30OCT2024		
TOLERANCES UNLESS OTHERWISE SPECIFIED:		APVD RAGHAVAN, CG 30OCT2024	NAME RJ45 W/MAGNET 2X1 5G POE 60W LIGHT PIPE	
0 PLC ± - 1 PLC ± 0.35 2 PLC ± 0.25 3 PLC ± 0.15 4 PLC ± - ANGLES ± 2°		PRODUCT SPEC 108-161622	RESTRICTED TO	
MATERIAL		APPLICATION SPEC 114-161219	SIZE A2	CAGE CODE 00779
FINISH		WEIGHT 0	DRAWING NO C=2496733	SCALE 1:1
		CUSTOMER DRAWING	SHEET 3 OF 3	REV A