

DC-DC Multi-output Buck Converter (3.3V/5V/9V/12V)

\$5.30 SKU: DFR1015

- 1 + Volume Discount

Purchase this product and earn 53 reward points, which are tied to VIP membership program. [Learn More](#)

Don't Miss Top Accessories

Beetle ESP32 C6 Mini Development Board for Wireless Smart Wearable Device (supports BLE /...
 \$4.90
 - 1 +
[Details](#)

Gravity: MOSFET Power Controller
 \$3.90
 - 1 +
[Details](#)

20W Adjustable DC-DC Buck Converter with Digital Display
 \$5.30
 - 1 +
[Details](#)

DC-DC Multi-output Buck Converter (3.3V/5... **\$5.30** [Add to Cart](#) [Shop Now](#)

DC-DC Buck-Mode Power Module (8~28V to 5V 1.6A)
 \$2.90
 - 1 +
[Details](#)

Introduction

Multiple-output DC-DC converters are essential in a multitude of applications where different DC output voltages are required.

This DC-DC step-down voltage power module converts 7.5V~30V input to an output of 3.3V/5V/9V/12V (default to 5V), which can be selected by short-circuiting the corresponding pads on the back. It withstands up to 5A load current with suitable heat dissipation and has 70°C over-temperature and overload protections. Besides, there is an onboard LED indicator that shows a solid red light when everything works fine and goes out when the protection mechanism is triggered and the voltage automatically drops to 0.1V.

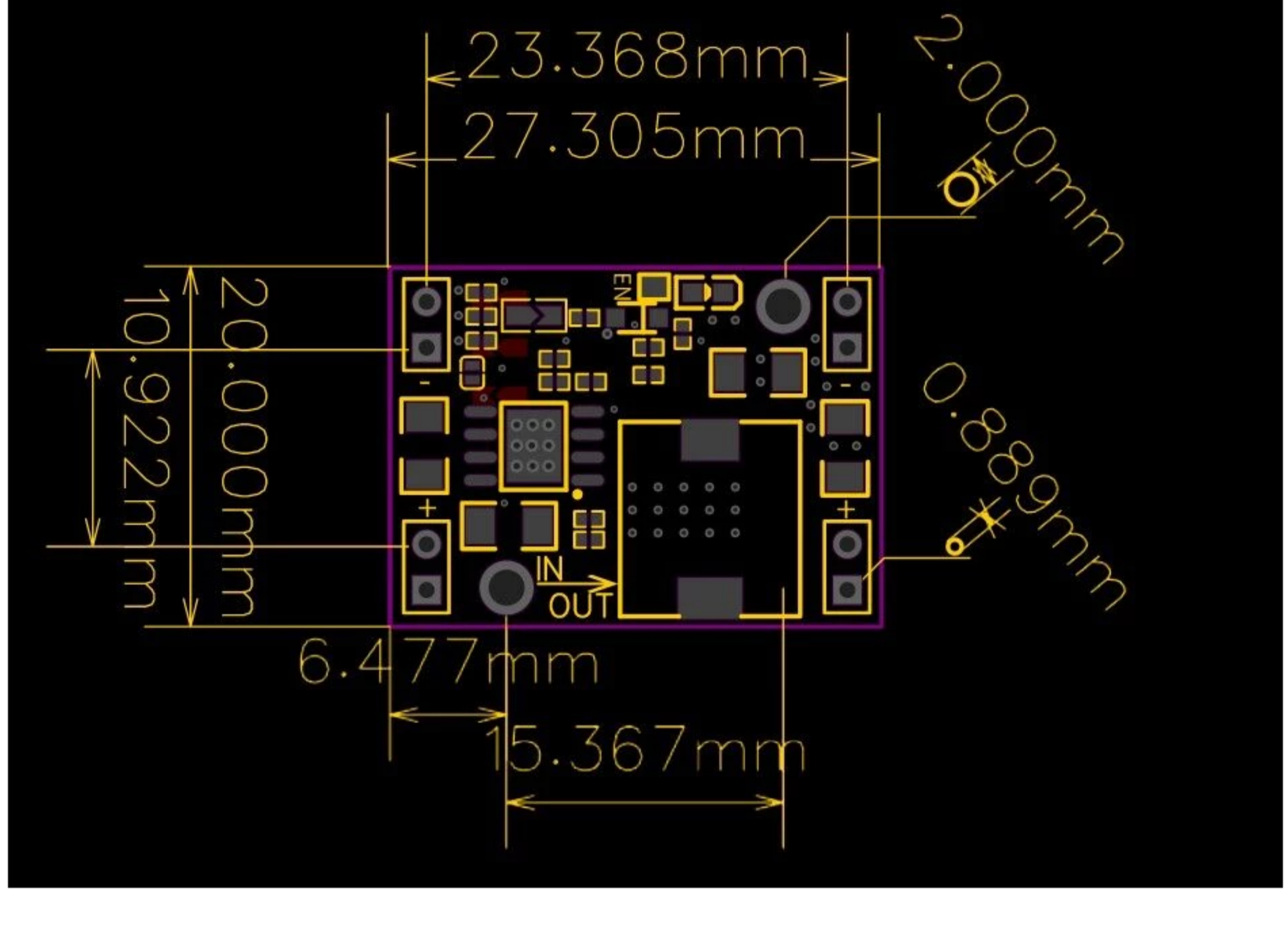
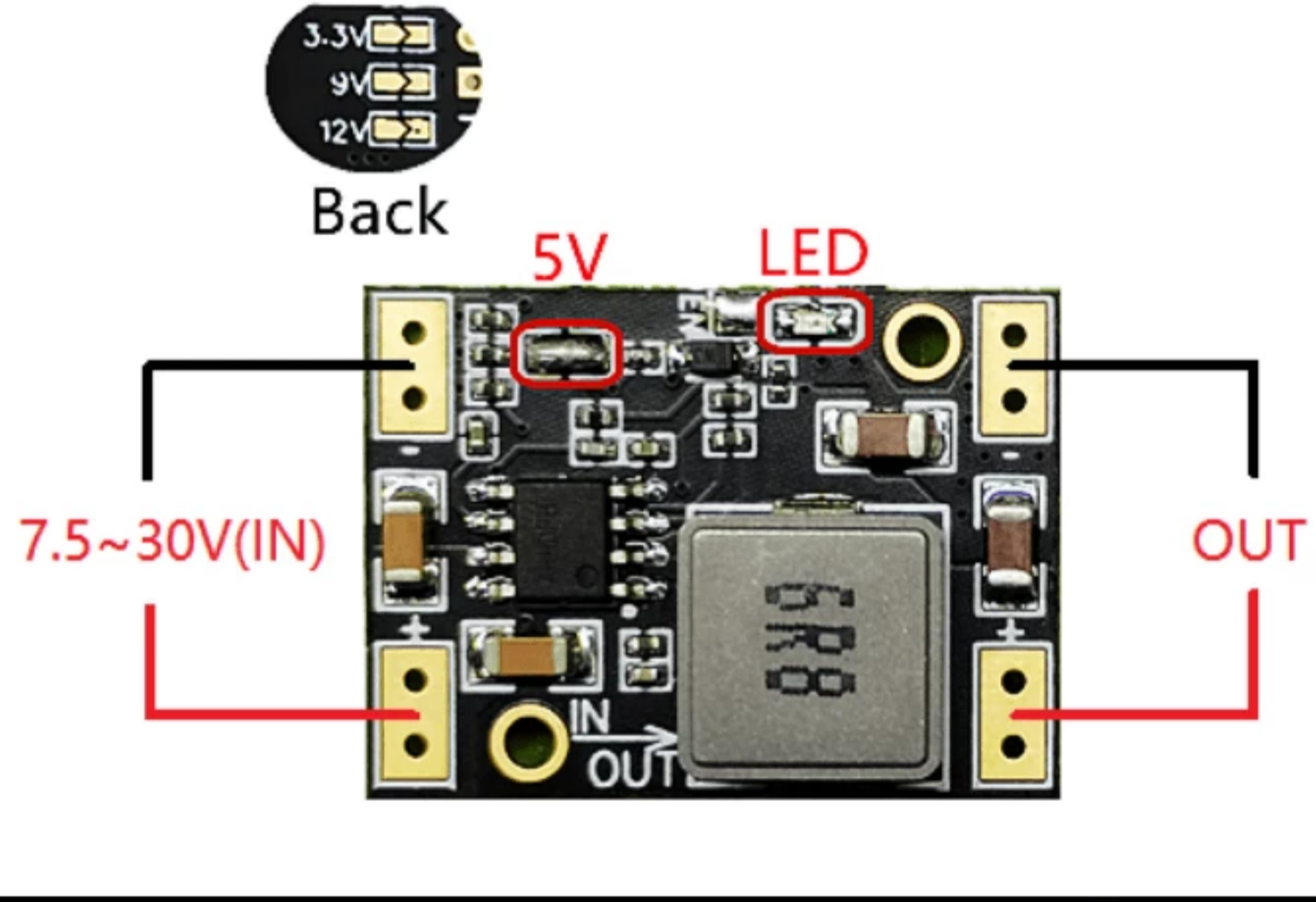
The multi-voltage buck power module can be used in power control systems for LEDs, robots, drones, servos, low-power motors, and so on.

Instruction

This module outputs 5V by default and the corresponding 5V solder pad is short-circuited. To output other voltages, for instance, 3.3V, please disconnect the 5V pad and short-circuit the 3.3V solder pad.

Note: Since this is a step-down converter, the input voltage should be larger than the output, and it works better with a voltage difference of 2V and above.

Note: The output parameters are measured at 25 °C, and the heat dissipation (heat sinks) is required for continuous large current load.



Dimension

Features

- Converts 7.5V~30V input to an output of 3.3V/5V/9V/12V
- With suitable heat dissipation
- With 70°C over-temperature and overload protections

Applications

- Power control systems

Specification

- Input Voltage: 7.5V~30V (24V below is recommended)
- Rated Output Parameters (Heat dissipation not required)
 3.3V/0-3A 5V/0-3A
 9V/0-2.5A 12V/0-3A
- Maximum Output Parameters (Heat dissipation required)
 3.3V/5A (16.5W) 5V/5A (25W)
 9V/3.5A (31.5W) 12V/3.5A (42W)
- Low Ripple: 30mV
- Soldering Hole Pitch: 2.54mm (can solder pin headers)
- Dimension: 2.7cm*2cm(length*width)/1.06*0.79"

Shipping List

- DC-DC Multi-voltage Output Buck Power Module (3.3V/5V/9V/12V) x1

Resource

All Projects



Projects Ionizing Radiation Detector

KGray

Jun 25, 2024

[More Arduino Related Projects](#) [Arduino Tutorials](#)

Information

- About Us
- Warranty
- Terms & Conditions
- Shipping
- Payment
- FAQ

Customer Service My Account

- DFRobot Distributors
- Contact Us
- Site Map
- Affiliates
- Specials



Sign up for exclusive offers!

Your email address

Like us on

