



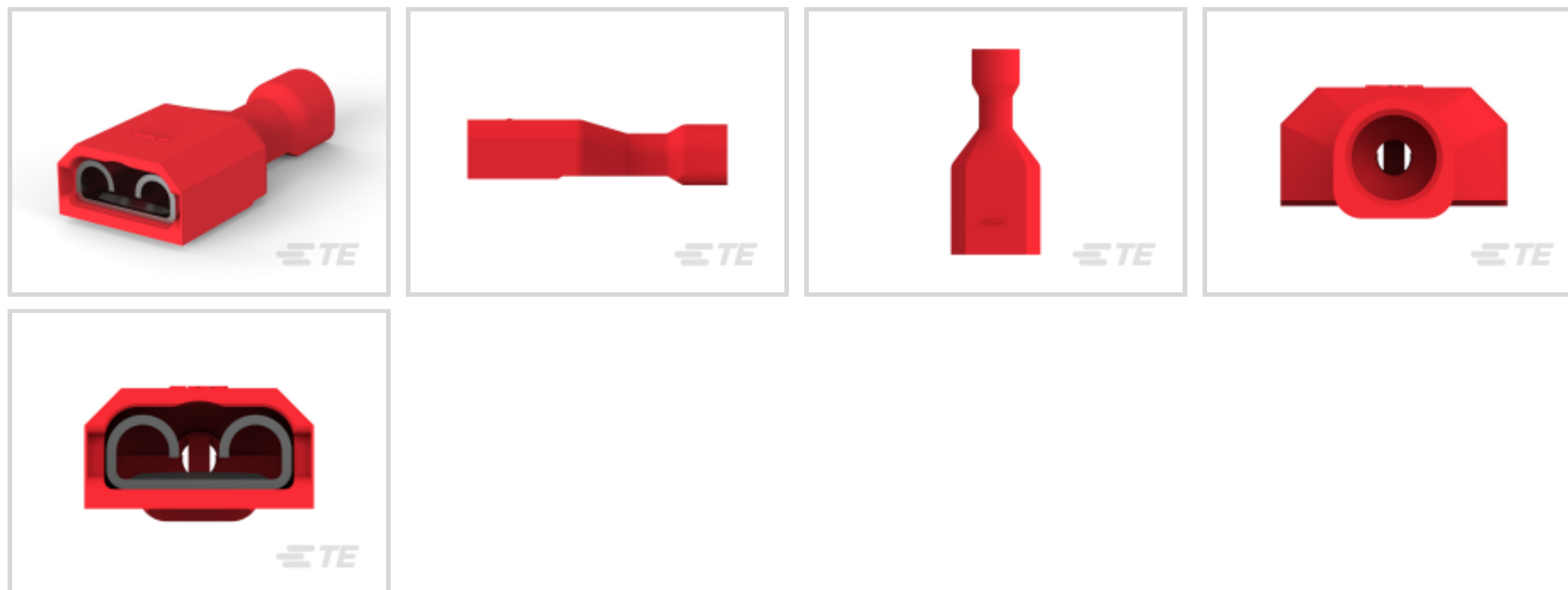
Ultra-Fast | Ultra-Fast 250

TE Internal #: 2-520183-2

Quick Disconnect Receptacle, Fully Insulated, 22 – 18 AWG, .32 – .82 mm<sup>2</sup> Wire, 6.35 mm [.25 in] Tab Width, F-Crimp, Straight, Brass, Ultra-Fast 250

[View on TE.com >](#)

Terminals & Splices > Quick Disconnects



Quick Disconnect Terminal Type: **Receptacle**

Wire Size: .32 – .82 mm<sup>2</sup>

Mating Tab Width: 6.35 mm [.25 in]

Mating Tab Thickness: .81 mm [.032 in]

**Features**

**Product Type Features**

Terminal Features	Wire Stop
Insertion Force	Normal

**Configuration Features**

Compatible With Wire & Cable Type	Discrete Wire
Connection Capacity	Single

**Electrical Characteristics**

Voltage Rating	600 V
----------------	-------

**Body Features**

Insulation Material	Nylon
---------------------	-------

**Contact Features**

Quick Disconnect Terminal Type	Receptacle
Mating Tab Width	6.35 mm [.25 in]
Mating Tab Thickness	.81 mm [.032 in]
Terminal Orientation	Straight



Contact Base Material	Brass
Terminal Plating Material	Tin
Crimp Type	F-Crimp
Barrel Type	Closed

### Termination Features

Product Terminates To	Wire & Cable
-----------------------	--------------

### Mechanical Attachment

Wire Insulation Support	With
Mating Retention Type	Dimple

### Dimensions

Product Length	21.75 mm[.856 in]
Compatible Insulation Diameter Range	3.43 mm[.135 in]
Terminal Material Thickness	.41 mm[.016 in]
Wire Size	.32 – .82 mm <sup>2</sup>

### Usage Conditions

Insulation Option	Fully Insulated
Operating Temperature Range	-40 – 110 °C[-40 – 230 °F]

### Industry Standards

Compatible With Agency/Standards Products	UL
UL Flammability Rating	UL 94V-2

### Packaging Features

Packaging Quantity	2200
Packaging Method	Strip/Reel

### Other

Barrel Color	Red
--------------	-----

## Product Compliance

[For compliance documentation, visit the product page on TE.com>](#)

EU RoHS Directive 2011/65/EU	Compliant
EU ELV Directive 2000/53/EC	Compliant
China RoHS 2 Directive MIIT Order No 32, 2016	有害物质含量符合标准要求 No Restricted Substance(s) Above Threshold



EU REACH Regulation (EC) No. 1907/2006

Current ECHA Candidate List: JUNE 2025 (250)

Candidate List Declared Against: JUNE 2025 (250)

Does not contain REACH SVHC

Halogen Content

Low Halogen - Br, Cl, F < 900 ppm per homogenous material. Also BFR/CFR/PVC Free

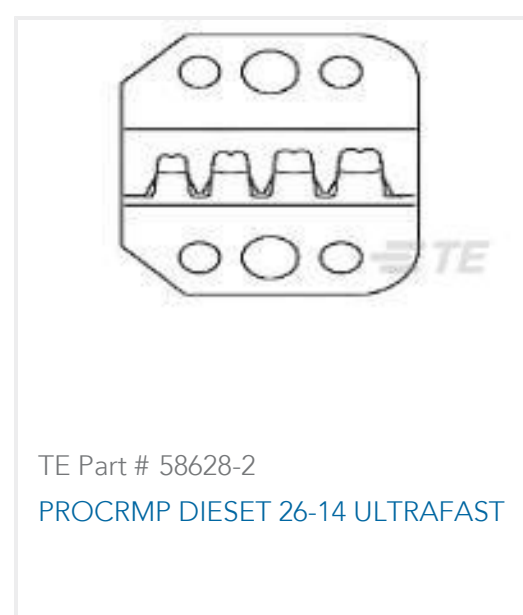
Solder Process Capability

Not applicable for solder process capability

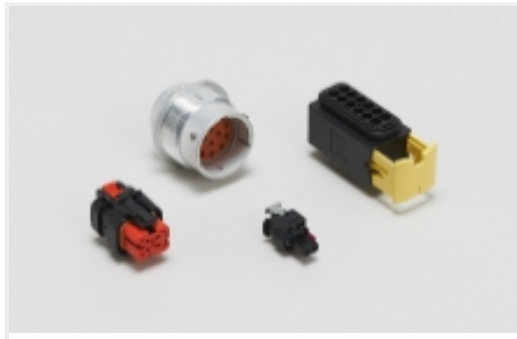
Product Compliance Disclaimer

This information is provided based on reasonable inquiry of our suppliers and represents our current actual knowledge based on the information they provided. This information is subject to change. The part numbers that TE has identified as EU RoHS compliant have a maximum concentration of 0.1% by weight in homogenous materials for lead, hexavalent chromium, mercury, PBB, PBDE, DBP, BBP, DEHP, DIBP, and 0.01% for cadmium, or qualify for an exemption to these limits as defined in the Annexes of Directive 2011/65/EU (RoHS2). Finished electrical and electronic equipment products will be CE marked as required by Directive 2011/65/EU. Components may not be CE marked. Additionally, the part numbers that TE has identified as EU ELV compliant have a maximum concentration of 0.1% by weight in homogenous materials for lead, hexavalent chromium, and mercury, and 0.01% for cadmium, or qualify for an exemption to these limits as defined in the Annexes of Directive 2000/53/EC (ELV). Regarding the REACH Regulation, the information TE provides on SVHC in articles for this part number is based on the latest European Chemicals Agency (ECHA) 'Guidance on requirements for substances in articles' posted at this URL: <https://echa.europa.eu/guidance-documents/guidance-on-reach>

## Compatible Parts



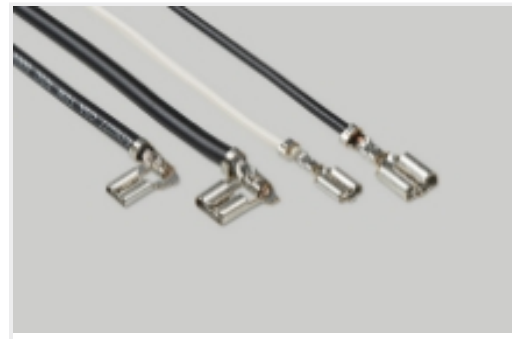
Also in the Series | **Ultra-Fast 250**



Automotive Housings(3)



Automotive Signal & Power Connector Housings(3)

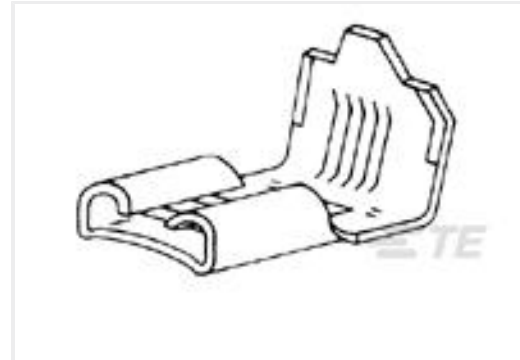


Quick Disconnects(49)

## Customers Also Bought



TE Part #NB20114001  
VERSAFIT-1/4-6-SP



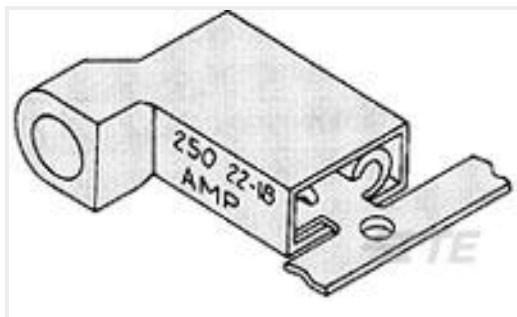
TE Part #62057-3  
250 FASTON FLAG REC 12-10 AWG  
TPBR



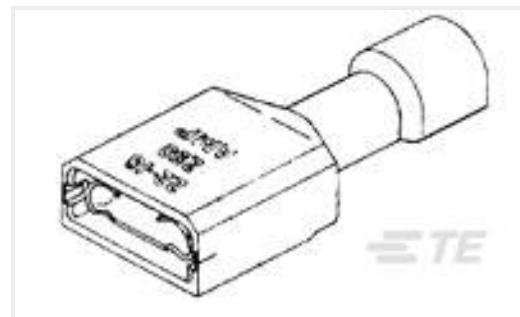
TE Part #456411-1  
CRIMPER, WIRE .140 F



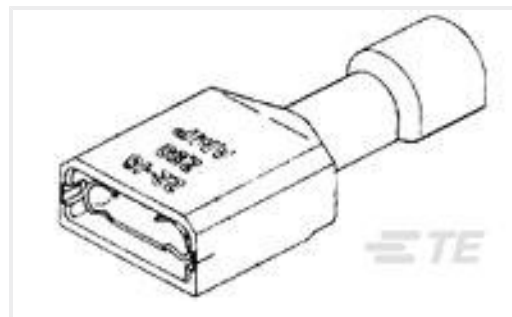
TE Part #2-520128-2  
ULTRA-FAST 250 ASY REC 22-18 AWG  
TPBR



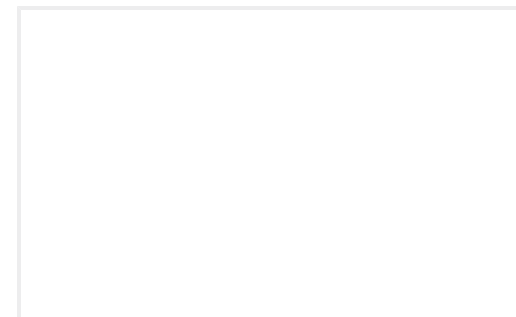
TE Part #3-520132-2  
ULTRAFast 250 ASSY FLAG REC 16-  
14 TPBR



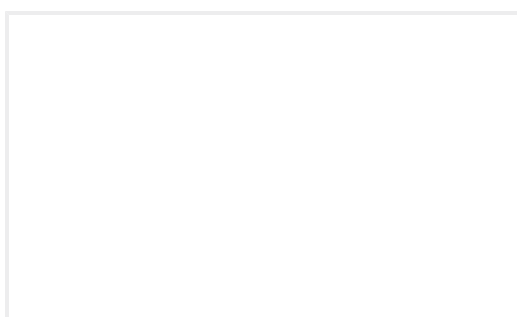
TE Part #2-520193-2  
ULTRA-FAST 187 ASY REC 22-18 TPBR



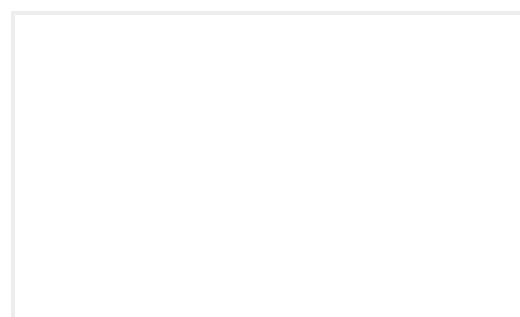
TE Part #4-520447-2  
ULTRA-FAST 250 ASY REC 12-10 AWG  
TPBR



TE Part #22594-8  
NUT,HEX,JAM



TE Part #7-1423008-7  
T92P11A22-240-03



TE Part #2337127-2  
RAYMOND 1298664/002

## Documents

### Product Drawings

[ULTRA-FAST 250 ASY REC 22-18 TPBR](#)

English

### CAD Files

[3D PDF](#)

3D

### Customer View Model

[ENG\\_CVM\\_CVM\\_2-520183-2\\_V.2d\\_dxf.zip](#)



English

Customer View Model

[ENG\\_CVM\\_CVM\\_2-520183-2\\_V.3d\\_igs.zip](#)

English

Customer View Model

[ENG\\_CVM\\_CVM\\_2-520183-2\\_V.3d\\_stp.zip](#)

English

By downloading the CAD file I accept and agree to the [Terms and Conditions](#) of use.

---

## Datasheets & Catalog Pages

[Ultra-Fast and Ultra Fast Plus](#)

English

[Ultra-Fast\\_QRG](#)

English

---

## Product Specifications

[Application Specification](#)

English

[Application Specification](#)

English

---

## Agency Approvals

[UL](#)

English