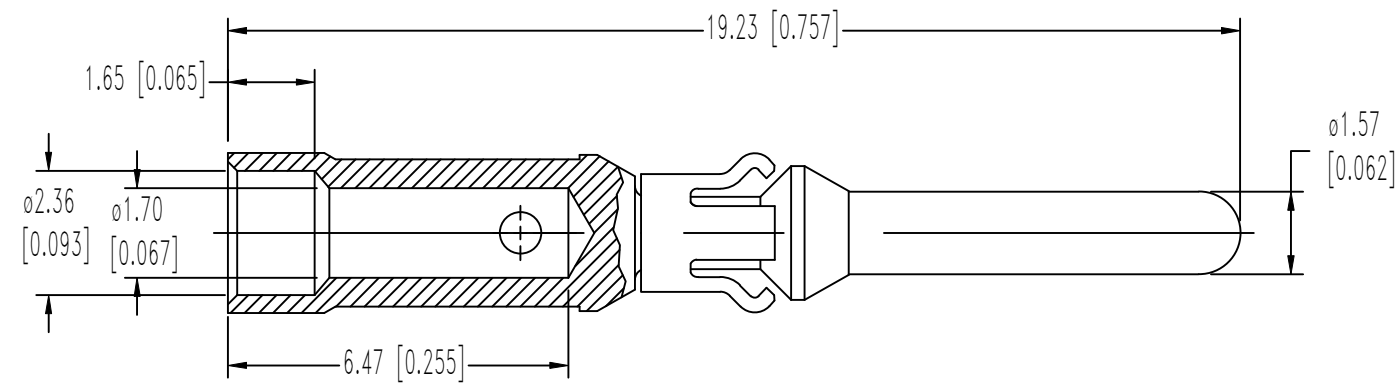


SK10971

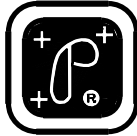
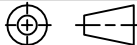
DATE	REV	REVISION RECORD	APP	DR	CK
08-12 19	A	ECO 69130	RK	ND	AP

THIS DRAWING CONTAINS INFORMATION PROPRIETARY TO POSITRONIC AND ITS SUBSIDIARIES. POSITRONIC BELIEVES THE DATA ON THIS DRAWING TO BE RELIABLE, SINCE THE TECHNICAL INFORMATION IS GIVEN FREE OF CHARGE, THE USER EMPLOYS SUCH INFORMATION AT HIS OWN DISCRETION AND RISK. POSITRONIC ASSUMES NO RESPONSIBILITY FOR RESULTS OBTAINED OR DAMAGES INCURRED FROM USE OF SUCH INFORMATION IN WHOLE OR IN PART.



NOTES:

- MATERIALS AND FINISHES:
CONTACT: TELLURIUM COPPER, 0.000050 [1.27 μ] GOLD OVER NICKEL PLATE.
RETENTION RING: BERYLLIUM COPPER, NICKEL PLATE.
- DETAILED PRODUCT, ELECTRICAL AND MECHANICAL INFORMATION IS AVAILABLE IN THE LATEST INFINITY PRODUCT PUBLICATION AT CONNECTPOSITRONIC.COM.
- DIMENSIONS ARE IN INCHES [MILLIMETERS].

		POSITRONIC INDUSTRIES INC. SPRINGFIELD, MISSOURI 65801	
	INFINITY SERIES	SCALE N.T.S.	DRAWN BY ME
DECIMAL TOL. ± 0.15 [0.015]	TITLE MC116N-15		
ANGULAR TOL. $\pm 1/2^\circ$	DATE 8-26-09	DRAWING NUMBER SK10971	REV. A