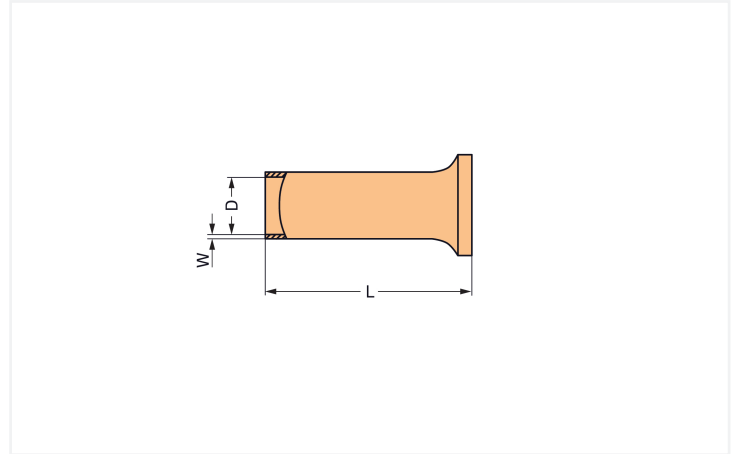


## Data Sheet | Item Number: 216-103

Ferrule; Sleeve for 1 mm<sup>2</sup> / AWG 18; uninsulated; electro-tin plated

<https://www.wago.com/216-103>



Dimensions in mm

### Connection Data

|                                     |                    |
|-------------------------------------|--------------------|
| Metric cross-section of the ferrule | 1 mm <sup>2</sup>  |
| Strip length                        | 8 mm / 0.31 inches |
| Cross-section (AWG) of ferrule      | 18 AWG             |

### Physical data

|                                |         |
|--------------------------------|---------|
| Total length                   | 8 mm    |
| Wall thickness of crimp sleeve | 0.15 mm |
| Diameter crimp sleeve inside   | 1.4 mm  |

### Mechanical data

|                |    |
|----------------|----|
| Plastic collar | No |
|----------------|----|

### Material data

|           |       |
|-----------|-------|
| Fire load | 0 MJ  |
| Weight    | 0.1 g |

### Commercial data

|                       |                                |
|-----------------------|--------------------------------|
| Product Group         | 2 (Terminal Block Accessories) |
| PU (SPU)              | 5000 (1000) pcs                |
| Packaging type        | Box                            |
| Country of origin     | DE                             |
| GTIN                  | 4017332277655                  |
| Customs tariff number | 85369010000                    |

**Product Classification**

|             |                      |
|-------------|----------------------|
| UNSPSC      | 39121405             |
| eCl@ss 10.0 | 27-40-02-01          |
| eCl@ss 9.0  | 27-40-02-01          |
| ETIM 9.0    | EC000005             |
| ETIM 10.0   | EC000005             |
| ECCN        | NO US CLASSIFICATION |

**Environmental Product Compliance**

|                        |                         |
|------------------------|-------------------------|
| RoHS Compliance Status | Compliant, No Exemption |
|------------------------|-------------------------|

**Downloads**

**Environmental Product Compliance**

**Compliance Search**

|  |                   |
|--|-------------------|
| Environmental Product Compliance 216-103 | <a href="#">↓</a> |
|--|-------------------|

**Documentation**

**Bid Text**

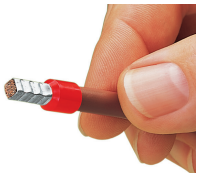
|         |            |                 |                   |
|---------|------------|-----------------|-------------------|
| 216-103 | 11.09.2017 | doc<br>24.50 KB | <a href="#">↓</a> |
| 216-103 | 19.02.2019 | xml<br>2.77 KB  | <a href="#">↓</a> |

**CAD/CAE-Data**

**CAD data**

|                      |                   |
|----------------------|-------------------|
| 2D/3D Models 216-103 | <a href="#">↓</a> |
|----------------------|-------------------|

**Installation Notes**



A perfect gas-tight crimp – both electrically and mechanically reliable

Subject to changes. Please also observe the further product documentation!

Current addresses can be found at: [www.wago.com](http://www.wago.com)