

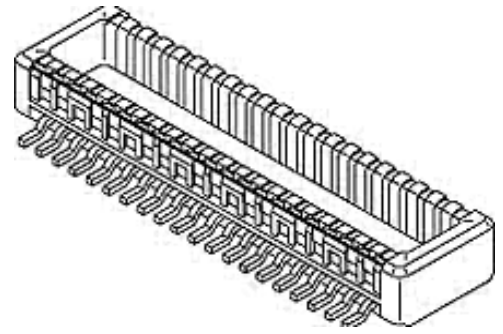
Part Number : [5003340800](#)

Product Description : 0.50mm Pitch SlimStack Plug, Surface Mount, Dual Row, Vertical, 2.50mm Stack Height, 80 Circuits

Series Number : 500334

Status : Active

Product Category : Board-to-Board Connectors



Documents and Resources

Drawings

[5003340800_sd.pdf](#)

[5003340800_stp.zip](#)

[Symbol and Footprint \(Multi-Format\)](#)


Specifications

[SPK-500334-001-001.pdf](#)

[PS-54102-010-001.pdf](#)

Product Environment Compliance

Compliance

GADSL/IMDS	Not Relevant
China RoHS	 per SJ/T 11365-2006
EU ELV	Not Relevant
Low-Halogen Status	Low-Halogen per IEC 61249-2-21
REACH SVHC	Not Contained per D(2025)7771-DC (04 Feb 2026)
EU RoHS	Compliant per EU 2015/863

Compliance Statements

- EU RoHS
- REACH SVHC
- Low-Halogen

Industry Documents

- IPC 1752A Class C

- IPC 1752A Class D
- Molex Product Compliance Declaration
- IEC-62474
- chemSHERPA (xml)

Substances of Interest

- PFAS

EU RoHS Certificate of Compliance

Additional Product Compliance Information

Part Details

General

Status	Active
Category	Board-to-Board Connectors
Series	0.5, BB H2.5
Description	0.50mm Pitch SlimStack Plug, Surface Mount, Dual Row, Vertical, 2.50mm Stack Height, 80 Circuits
Application	Board-to-Board, Signal
Component Type	Plug
Product Name	SlimStack
UPC	887191284958

Agency

UL	E29179
----	--------

Electrical

Current - Maximum per Contact	0.5A
Voltage - Maximum	50V

Physical

Breakaway	No
Circuits (Loaded)	80
Circuits (maximum)	80
Color - Resin	Black
Durability (mating cycles max)	30

First Mate / Last Break	No
Flammability	94V-0
Glow-Wire Capable	No
Guide to Mating Part	No
Keying to Mating Part	No
Lock to Mating Part	Yes
Mated Height	2.50mm
Mated Width	5.30mm
Material - Metal	Brass
Material - Plating Mating	Gold
Material - Plating Termination	Gold
Net Weight	131.651/mg
Number of Rows	2
Orientation	Vertical
Packaging Type	Embossed Tape on Reel
PCB Locator	No
PCB Retention	No
Pitch - Mating Interface	0.50mm
Polarized to PCB	No
Temperature Range - Operating	-40° to +105°C
Termination Interface Style	Surface Mount

Mates With / Use With

Mates with Part(s)

Description	Part Number
0.50mm Pitch Vertical SlimStack Receptacles	<u>54102</u>

This document was generated on Jun 11, 2026