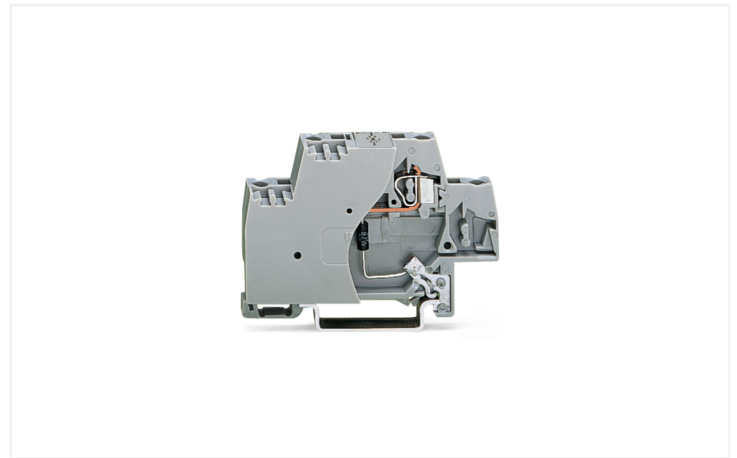
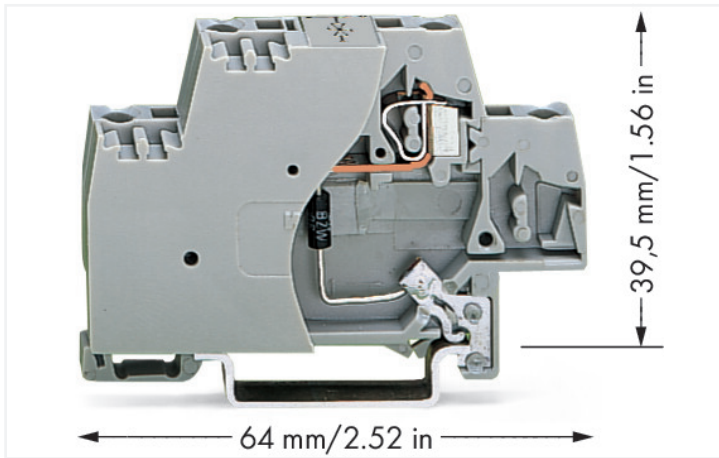


Data Sheet | Item Number: 280-502/281-594

Component terminal block; double-deck; with end plate and direct connection to DIN-rail; with 1.5KE-C TVS diode; AC 115 V; for DIN-rail 35 x 15 and 35 x 7.5; 2.5 mm²; CAGE CLAMP®; gray



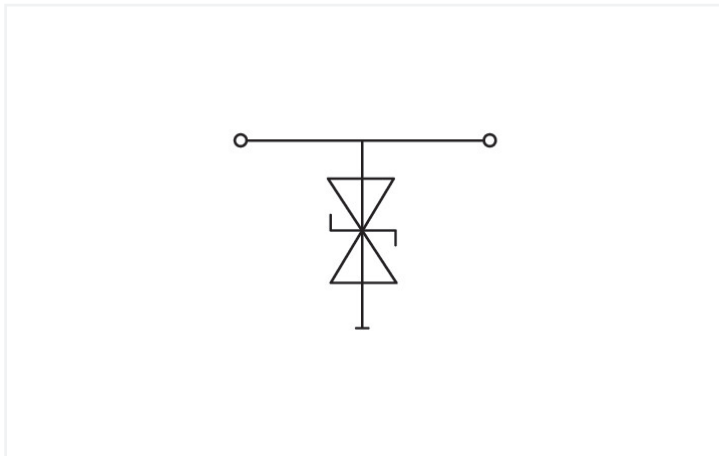
<https://www.wago.com/280-502/281-594>



Color: ■ gray

Similar to illustration

Similar to illustration



Short description:

This component terminal block with surge suppression device, end plate and direct connection to the DIN-35 rail is equipped with a TVS diode.

Features:

- Protect your system against overvoltage
- Slim, space-saving design
- Control operational costs by preventing expensive, unplanned downtime
- High operational reliability and system uptime

Notes

Safety Information

- Installation must be performed by qualified personnel only.
- The DIN-rail must be grounded.
- The input current must be protected by a suitable fuse.
- Protection against contact with stored charges must be ensured.
- Do not insert or remove pluggable modules when energized.
- The IP20 protection rating must be maintained in the assembled state or when using an end/intermediate plate compatible with the rail-mount terminal block.

Electrical data

Nominal operating voltage	115 VAC
Maximum continuous voltage	133 VAC
Rated continuous current	20 A
Nominal discharge current (8/20 µs) (line)	26 A
Protection level (8/20 µs)	≤ 388 VAC
Capacitance	≤ 630 pF

Connection Data

Connections (number)	2
Connection technology	CAGE CLAMP®
Solid conductor	0.08 ... 2.5 mm ² / 28 ... 14 AWG
Fine-stranded conductor	0.08 ... 2.5 mm ² / 28 ... 14 AWG
Strip length	8 ... 9 mm / 0.31 ... 0.35 inches

Physical data

Width	10 mm / 0.394 inches
Height	64 mm / 2.52 inches
Depth from upper-edge of DIN-rail	39.5 mm / 1.555 inches

Mechanical data

Design	with end plate; with direct connection to DIN-rail
Mounting type	DIN-35 rail

Material data

Color	gray
Insulation material (main housing)	Polyamide (PA66)
Material group	I
Flammability class per UL94	V0
Fire load	0.27 MJ
Weight	12 g

Environmental requirements

Processing temperature	-35 ... +85 °C
------------------------	----------------

Commercial data

Product Group	1 (Rail Mounted Terminal Blocks)
PU (SPU)	50 pcs
Packaging type	Box
Country of origin	DE
GTIN	4045454516000
Customs tariff number	85369010000

Product Classification

UNSPSC	39121410
eCl@ss 10.0	27-14-11-27
eCl@ss 9.0	27-14-11-27
ETIM 9.0	EC000903
ETIM 10.0	EC000903
ECCN	NO US CLASSIFICATION

Environmental Product Compliance

CAS-No.	7439-92-1
REACH Candidate List Substance	Lead
RoHS Compliance Status	Compliant,With Exemption
RoHS Exemption	7(a) 7(c)-I
SCIP notification number (Austria)	f2941ede-3a44-4ded-994d-e1afa1dc3ccc
SCIP notification number (Belgium)	42e5afac-0f1a-43ec-9aa1-9d4938e1e115
SCIP notification number (Bulgaria)	e001e6c1-535d-40f6-a964-47f286aec623
SCIP notification number (Czech Republic)	61405e2e-ff10-45f0-be49-69bfde005f9d
SCIP notification number (Denmark)	cfc77a13-84cf-4c63-966e-5bdab234269a
SCIP notification number (Finland)	028e1ded-008f-4f8c-9b24-ad6a01cef276
SCIP notification number (France)	febe0de8-1a10-497d-a672-d5a392f0519b
SCIP notification number (Germany)	d851eb53-19bc-4441-82e5-9f4ba720994c
SCIP notification number (Hungary)	e8437621-4107-4fb3-93a2-ab25b2f5a859
SCIP notification number (Italy)	63a2c1ec-ddf7-4b67-8b72-653bfc844a51
SCIP notification number (Netherlands)	d81199fb-1246-4f5e-aab4-efa3d285313a
SCIP notification number (Poland)	e35ba52e-cbd3-4bf4-a541-462721a33c8b
SCIP notification number (Romania)	60974617-9e5c-44c2-9883-92f29245e616
SCIP notification number (Sweden)	c075734e-d052-463e-8a0c-c84a15ff7d96

Downloads

Environmental Product Compliance

Compliance Search

Environmental Product
Compliance
280-502/281-594



Documentation

Bid Text

280-502/281-594	19.02.2019	xml 3.32 KB	↓
280-502/281-594	11.02.2015	doc 25.50 KB	↓

CAD/CAE-Data

CAD data

2D/3D Models 280-502/281-594	↓
---------------------------------	-------------------

CAE data

EPLAN Data Portal 280-502/281-594	↓
WSCAD Universe 280-502/281-594	↓
ZUKEN Portal 280-502/281-594	↓

1 Compatible Products

1.1 Optional Accessories

1.1.1 Insulation stop

1.1.1.1 Insulation stop



Item No.: 280-470

Insulation stop; 0.08 - 0.2 mm² "s" (0.14 mm² "f-st"); 5 pieces/strip; white



Item No.: 280-471

Insulation stop; 0.25 - 0.5 mm²; 5 pieces/strip; light gray



Item No.: 280-472

Insulation stop; 0.75 - 1 mm²; 5 pieces/strip; black

1.1.2 Jumper

1.1.2.1 Jumper



Item No.: 280-492

Jumper; 2-way; insulated; gray

1.1.3 Marking

1.1.3.1 Marker



Item No.: 2009-145

Mini-WSB Inline; for Smart Printer; 1700 pieces on roll; stretchable 5 - 5.2 mm; plain; snap-on type; white



Item No.: 248-501

Mini-WSB marking card; as card; not stretchable; plain; snap-on type; white

1.1.4 Tool

1.1.4.1 Operating tool



Item No.: 210-720

Operating tool; Blade: 3.5 x 0.5 mm; with a partially insulated shaft; multicoloured