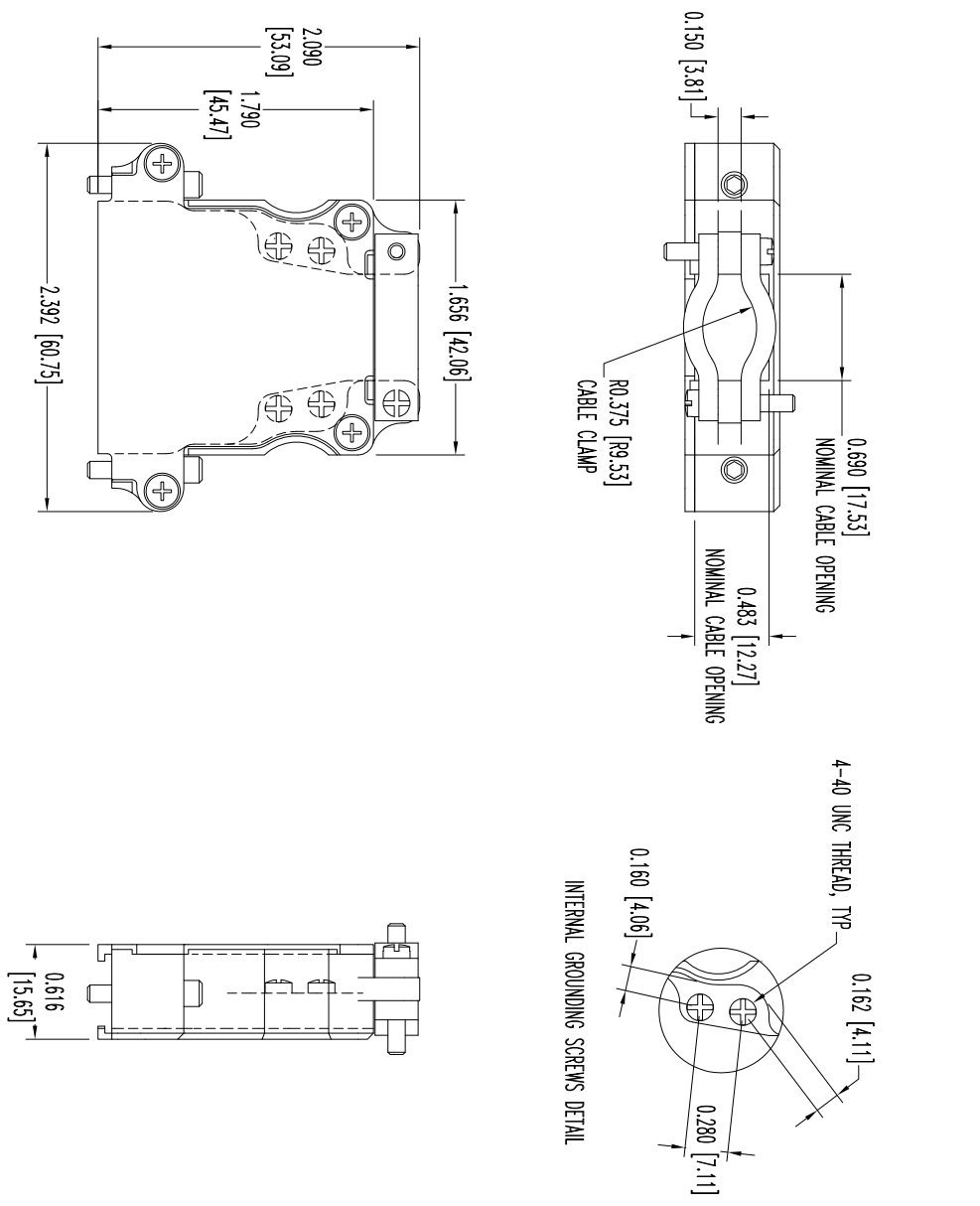


THIS DRAWING CONTAINS INFORMATION PROPRIETARY TO POSITRONIC INDUSTRIES INC. THE DATA ON THIS DRAWING TO BE RELEASED SINCE THE USER EMPLOY'S SUCH INFORMATION AT HIS OWN DISCRETION. RESULTS OBTAINED OR DAMAGES INCURRED FROM USE OF SUCH INFORMATION IN WHOLE OR IN PART.

SK12935

DATE	REV	REVISION RECORD	APP	DR	CK
11-2	NC	ECO 34671	COLB	ME	COLB
8-12	A	ECO 40433	COLB	BE	COLB



- NOTES:
1. MATERIAL AND FINISHES:
HOOD, COVER AND CABLE CLAMPS: ALUMINUM, ELECTROLESS NICKEL FINISH.
SCREWS: STEEL, NICKEL FINISH.
 2. DETAILED PRODUCT, MECHANICAL, AND ELECTRICAL INFORMATION IS AVAILABLE IN THE LATEST D-SUB ACCESSORY PRODUCT PUBLICATION. VISIT CONNECTPOSITRONIC.COM/PRODUCTS/58/D-SUBMINIATUREACCESSORIES OR CONNECTPOSITRONIC.COM.
 3. HOODS ARE COMPLIANT TO THE CURRENT ROHS DIRECTIVE.
 4. DIMENSIONS ARE IN INCHES [MILLIMETERS].

POSITRONIC INDUSTRIES INC.

www.connectpositronic.com

	DECIMAL TOL.	± 0.015 [0.38]
	ANGULAR TOL.	± 5°
D SERIES		
DATE	DRAWING NUMBER	REV.
11-2-11	SK12935	A
TITLE		FSCM 28198
D25000ANEO/AA		
SCALE	DRAWN BY	ME
N.T.S.	APPROVED BY	COLB